

2014

Stewart-Amos

Owner's Manual



GALAXY R6 SWEEPER MANUAL



SN 3016 AND UP

Contents

I.	Warranty Information.....	5
II.	Customer Assistance.....	6
III.	General Sweeper System Description.....	11
	A. Auxiliary Engine Shroud.....	12
	B. Curb Broom.....	13
	C. Hopper.....	14
	D. Hydraulic System.....	15
	E. Lights, Flashers, Alarm.....	17
	F. Spray Bars.....	18
	G. Sweeping Hood.....	19
	H. Water System.....	20
	I. Dual Steering.....	21
	J. Hand Hose.....	22
IV.	Sweeper Startup Procedure and Operation.....	23
	A. Control Panel.....	24
	B. Throttle Type Lever.....	26
	C. Auxiliary Engine Control System.....	27
	D. Sweeping.....	27
	E. Sweeping Condition Control.....	29
	F. Curb Broom Operation.....	30
	G. Dust Suppression System.....	30
	H. Shutting Down the Sweeper.....	31
	I. Dumping the Hopper.....	31
	J. Dual Steering.....	32
	K. 12-Volt Backup System.....	33
	L. Rapid Reference Operating Outline.....	34
	M. Recommended Operating Equipment.....	35
V.	General Safety Guidelines.....	36
	A. Safety Alert Symbols.....	36
	B. Chassis Driver Safety Instructions.....	36
	C. Operator Safety Instructions.....	40
	D. Maintenance Safety Instructions.....	53

VI.	General Sweeper Maintenance Checks.....	55
A.	Lubrication Maintenance Schedule.....	56
B.	Periodic Maintenance Schedule.....	57
	B1. Daily Maintenance.....	57
	B2. Weekly Maintenance.....	58
C.	Component Maintenance Procedures.....	60
	C1. Clearing Obstructions from the Inlet Tube.....	61
	C2. Cleaning Maintenance.....	61
	C2a. Cleaning Procedures.....	61
	C3. Storage Maintenance.....	61
	C4. Auxiliary Engine Maintenance.....	62
	C4a. Maintaining the Kubota Fuel Filter.....	62
	C4b. Auxiliary Engine Remove and Replace.....	63
	C4c. auxiliary Engine Stub Shaft Remove and Replace.....	65
	C5. Bolt Check Maintenance.....	57
	C6. Curb Broom Maintenance.....	68
	C6a. Curb Broom Disc. Adjustment.....	68
	C6b. Curb Broom Down Pressure Adjustment.....	69
	C6c. Bristle Replacement.....	70
	C6d. Directional Valve Check.....	70
	C6e. Hydraulic System Servicing.....	71
	C6f. Hydraulic Pump Pressure Check.....	73
	C7. Drive train Maintenance.....	75
	C7a. Drive Belt Tension Adjustment.....	76
	C7b. Drive Belt Replacement.....	77
	C8. Fan Housing Maintenance.....	78
	C8a. Fan Housing Inspection.....	78
	C8b. Fan Replacement.....	79
	C8c. Fan Housing Liner Maintenance.....	82
	C8d. Fan Shaft Bearing Maintenance.....	83
	C9. Seal Maintenance.....	87
	C10. Sweeper Engine/Fan RPM check.....	88
	C11. Sweeper Fluid Maintenance.....	89
	C11a. Auxiliary Engine Cooling System.....	89
	C11b. Auxiliary Engine Oil.....	89
	C11c. Hydraulic System.....	89
	C12. Sweeper Filter Maintenance.....	90
	C12a. Auxiliary Engine Filters.....	90
	C12b. Hydraulic System Filter.....	91
	C13. Sweeper Hood Maintenance.....	92
	C13a. Sweeper Hood Tension Spring Adjustment.....	92
	C13b. Worn Flaps.....	93
	C13c. Replacing the Flaps.....	93

	C13d. Sweeper Head Removal.....	93
	C13e. Reinstalling the Sweeper Hood.....	94
	C13f. Skid Plate Adjustment and Replacement.....	94
	C14. Water System Maintenance.....	96
	C14a. Water Pump.....	96
	C14b. Water Filter Cleaning.....	97
	C14c. Water System Winterization.....	97
VII.	Troubleshooting.....	98
	A. Miscellaneous.....	98
	B. Sweeping Hood.....	101
	C. Curb Broom.....	101
	D. Hydraulic System.....	105
	E. Water System.....	106
VIII.	Appendix.....	107
	A. Torque Reference Charts.....	107
	B. Notes.....	110

I. Warranty Information

WARRANTY CERTIFICATE

Stewart-Amos Sweeper Co. warrants each new machine manufactured to be free from defects in material and workmanship under normal use and service. The obligation under this warranty is limited to replacing F.O.B. its factory, Harrisburg, PA:

Any PART and labor within **ONE YEAR** (twelve months) or **ONE THOUSAND** (1000) **HOURS**, whichever occurs first, after making delivery of such machine to the original purchaser. This warranty is expressly in lieu of all other warranties expressed or implied and of all other obligations or liabilities on its part, and it neither assumes nor authorized any other person to assume for it any liability in connection with the sale, servicing or repair of any machine manufactured by it.

Stewart-Amos Sweeper Co. reserves the right to have any part being claimed for warranty returned, at customer expense, for inspection and determination that the part was factory defective.

Stewart-Amos Sweeper Co. reserves the right to make changes in design or to make additions to or improvements on its products previously manufactured.

Stewart-Amos Sweeper Co. – WARRANTY POLICY

Stewart-Amos Sweeper Co. provides warranty to the original purchaser of a new product, that the same is free from defects in materials and workmanship that may cause performance failures, subject to the conditions stated herein.

The warranty is limited to a period of one (1) year from the date of the original purchase or 1000 hours, whichever occurs first, included are parts and labor costs associated with the warranty.

GENERAL CONDITIONS

Stewart-Amos Sweeper Co. will honor warranty claims provided:

1. The unit is properly registered. Registration form is located at the front of the operator's manual. Registration form must be received by Stewart-Amos Sweeper Co. within 45 days of the sale. Failure to receive said warranty registration form within the prescribed time will cancel warranty coverage for the product.
2. The failure occurs within the warranty period and is covered under the terms of our written warranty.
3. The repairs are made and an authorized Stewart-Amos Sweeper Co. dealer has submitted a warranty claim within 30 days of completion of repair.
4. The unit has not been altered in any way without prior written approval by Stewart-Amos Sweeper Co.
5. All warranty repairs reimbursable must be performed by an authorized dealer using Stewart-Amos Sweeper Co. approved replacement parts. Failure to repair properly voids future warranty.

ITEMS NOT COVERED BY WARRANTY

1. Set-up and pre-delivery services, service calls, diagnostics, or after sales adjustments due to normal operations, including travel time/mileage.
2. Sweepers sold for use outside of North America.
3. Repairs, modifications or alterations to the machine without the express written consent of Stewart-Amos Sweeper Co.
4. Including but not limited to normal wear parts such as brooms, drag shoes, rubber deflectors, filters, oil, fuel, chains, belts, brakes or other wear parts.
5. Items that, in the opinion of Stewart-Amos Sweeper Co. have been subject to misuse, abuse, negligence, accident or improper maintenance.
6. Failures resulting from the machine being operated in a manner or for a purpose not recommended by Stewart-Amos Sweeper Co.
7. Rentals, consequential or collateral damage, down time costs, or lost revenue incurred due to a failure during the warranty period.
8. Consumables or shop supply materials such as paint, anti-freeze, oil, fuel, bolts.

ITEMS COVERED BY SEPARATE WARRANTIES

1. Parts and components such as the chassis, auxiliary engine, pump, motors, and other similar major components which are under separate warranties from their respective manufacturers. Service for these components can be obtained from their service facilities in the United States. In some circumstances, extended warranties are available at an extra cost. Please contact your Stewart-Amos Sweeper Co. dealer for information on these extended warranties.

THERE IS NO OTHER EXPRESS WARRANTY. ALL IMPLIED WARRANTIES OF MERCHANT LIABILITY AND FITNESS FOR USE ARE LIMITED TO THE DURATION OF THE EXPRESSED WARRANTY.

IT IS EXPRESSLY UNDERSTOOD THAT STEWART-AMOS SWEEPER CO. WILL NOT BE LIABLE FOR ANY OTHER INJURY, LOSS, DAMAGE OR EXPENSE, WHETHER DIRECT OR CONSEQUENTIAL, INCLUDING BUT NOT LIMITED TO LOSS OF USE, INCOME, PROFIT OR PRODUCTION, OR INCREASED COST OF OPERATION, OR SPOILAGE OF OR DAMAGE TO MATERIAL, ARISING IN CONNECTION WITH THE SALE, INSTALLATION, USE OF, INABILITY TO USE, OR THE REPAIRS OR REPLACEMENT OF STEWART-AMOS SWEEPER CO.'S PRODUCTS.

STEWART-AMOS SWEEPER CO. RESERVES THE RIGHT TO MAKE CHANGES IN DESIGN OR TO MAKE ADDITIONS OR IMPROVEMENTS ON ITS PRODUCTS WITHOUT IMPOSING ANY OBLIGATION UPON ITSELF TO INSTALL THEM ON ITS PRODUCTS PREVIOUSLY MANUFACTURED.

II. Customer Assistance

Stewart-Amos is committed to 100% customer satisfaction. Our employees are trained to provide fast and dependable service to our valued customers, who we consider our friends and family. Our headquarters are located in Harrisburg, Pennsylvania, where we have a state-of-the-art manufacturing and production facility. This facility includes a department that is designed for complete servicing and refurbishing of sweepers.

Our contact information is:

Stewart-Amos sweeper Company

2700 Paxton Street

Harrisburg, PA 17111

Direct: (717) 564-5600

Toll Free: 1-800-482-2302

Fax: 717-901-2326

Email: parts@stewart-amos.com

To assure prompt delivery and processing of your order, you will need to have the following information available before contacting us:

1. Locate the “sweeper and Customer Information” sheet at the front of this Manual. You will need to have the type and serial numbers for the power module engine, the chassis, and the sweeping unit.
2. The part number(s), description(s) and the quantity needed. We will also need to know if the part is for the right or left, front or back, and any other relevant information.
3. Shipping information. Orders are shipped by UPS unless otherwise specified. If your part(s) exceed the weight restrictions for UPS delivery, then a freight trucking company will be used for shipment. We will need to know how you want your order shipped; next day air, second day air, trucking company, cheapest possible, etc.

Our parts representatives make every effort to ship all in-stock parts the same business day if the order is placed before 12:00 noon, Eastern Time. For any order received after noon we will still make every effort to ship the same day. However, if this is not possible the order will be shipped the following business day.

Payment procedures: Stewart-Amos Sweeper Co. accepts MasterCard and Visa. If you are not using a credit card for payment, the order will be shipped C.O.D. unless prior arrangements have been made through our accounting department.

III. General Sweeper System Description

As an owner or operator of a Stewart-Amos Galaxy series sweeper, you will need a basic understanding of the sweeping system. This section is designed to help you understand the system without being too technical.

The Galaxy R-Series uses a “closed loop” and/or regenerative airflow system, which is contained inside a sweeping hood (also sometimes termed a ‘sweeping head’), in order to vacuum up debris. To increase the sweeper’s vacuum power, a portion of the system’s air may be vented out of the system as exhaust air. The remaining air is recirculated in the system, which produces a blasting force of air under the sweeping hood.

To maintain the high velocity of air contained within the sweeping hood, metal skid pads on the sides, as well as flexible rubber flaps called “curtains,” are bolted on the front and back of the sweeping hood.

Power for the sweeper unit comes from the auxiliary engine, which is mounted on the sweeper frame behind the truck cab. The truck’s main fuel tank also supplies fuel to the auxiliary engine. Power to the sweeper is provided by the auxiliary engine, which propels a fan by way of a drive-belt that is connected to a bearing-mounted drive shaft.

The fan, which is balanced and abrasion-resistant, draws air from inside the hopper and forces it out of the opening in the fan housing. A replaceable rubber liner is installed in the fan housing to prevent excessive wear.

The Sweeping Process:

1. The vacuum created by the fan, which is located outside the hopper, forces air drawn from the hopper down the pressure hose and into the upper/rear pressure chamber of the sweeping head. This air is then funneled across the front of the chamber, and out a slot called the ‘blast orifice.’ As the air is pushed through the blast orifice, it is transformed into a high velocity airstream that is channeled forward and downward onto the sweeping surface in the sweeping head’s lower/front chamber
2. The effect of this air blast is to both loosen the debris and lift it up off the pavement surface.
3. The debris is then transported across to the outflow (suction inlet) side of the sweeping hood. Flexible rubber flaps, called ‘curtains,’ are bolted to the front and back of the sweeping hood. These curtains, along with the metal skid plates on each end, contain the high air velocity within the sweeping hood.
4. The vacuum created by the fan, pulls the debris up through the suction hose and into the hopper.
5. When the debris enters the hopper, a number of strategically placed water nozzles are used to decrease the amount of airborne dust. Once the debris and dust comes into contact with the water it becomes heavier and loses its speed, which causes the heavier objects to fall to the bottom of the hopper.

6. The air is then drawn through a screen in the top of the hopper where any remaining lighter objects are removed.
7. Any remaining fine particles of dust in the air stream are pulled through the screen and into the dust separator, which is located in the front of the hopper.
8. As a fan pulls the air from the dust separator, it creates a centrifugal force that throws the remaining fine dust against the walls of the separator.
9. The fan then draws the cleaned air from the dust separator back into the fan housing and the entire process begins again.

A. Auxiliary Engine Shroud



The auxiliary engine shroud contains two upward opening doors, one for each side of the power module. The shroud's upper door has struts to support the door when it is open.

The lower doors open downward and allow access to the hydraulic system components on the left side of the power module. All doors open independently of each other.

B. Curb broom



The sweeper's rotating hydraulic curb broom has been designed to loosen the debris from the ground and then direct it across, and in front of the sweeping hood so it can be picked up.

The curb broom(s) is mounted under the chassis, in front of the sweeping hood. Curb brooms (also sometimes called 'gutter brooms') may be mounted on the left and/or right side of the sweeper. The curb broom is suspended from the frame on a hydraulically controlled arm that is operated using the switch(es) on the control panel inside the truck cab.

The hydraulic motor, which turns the broom's bristles is mounted inside the disc that spins on the end of the arm. When the curb broom is not in use, it is hydraulically held and locked into the travel position up and off the pavement and under the truck. This travel position allows for minimum truck width and maximum ground clearance for travel at road speed.

C. Hopper



The hopper is designed to hold the debris that has been collected by the sweeping hood. It is constructed of industrial-grade stainless steel.

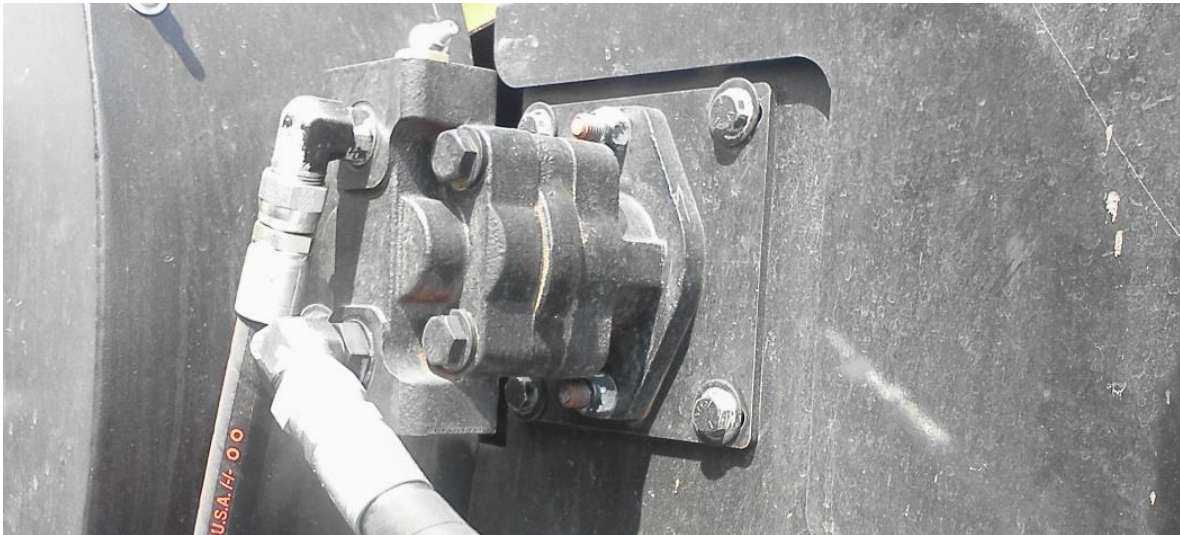
The hopper is mounted to a heavy-duty frame that has been fastened to the truck's chassis, providing a stable base on which to mount the hydraulic cylinders. These cylinders are used to raise the hopper into a dump position.

An inspection door on each side of the hopper provides easy access for hopper clean-out after dumping. You will also find them useful for placing any objects that are too large to fit under the sweeping hood to be placed into the hopper.

A full-width door has been installed on top of the hopper to provide easy access for cleaning the hopper's separator screens. There are four screen panels per unit.

There is a separate switch inside the cab that opens (and re-latches) both the dump door and the screen door.

D. Hydraulic System



Hydraulic fluid is pulled from the reservoir into the mechanically driven hydraulic pump that is mounted directly to the end of the crank shaft of the engine. The pump passes the pressurized hydraulic fluid into the manifold, which is mounted on the left side of the power module. Valves attached to the side of the manifold are operated electrically from the sweeper's in-cab control panel. These valves are used to channel fluid flow to the curb brooms for broom operation, as well as to raise and lower the hood and hopper, and to power any other hydraulic functions.



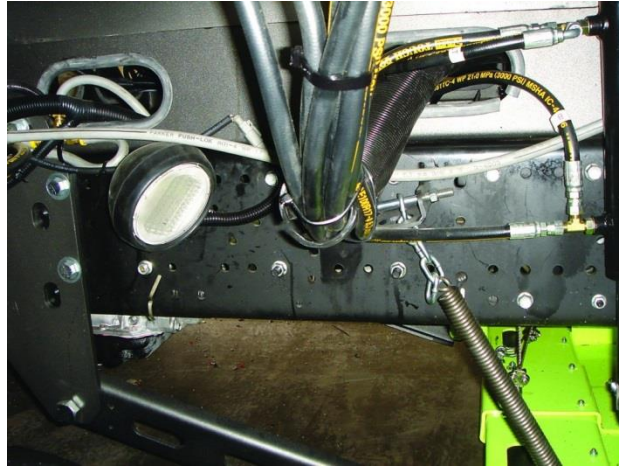


OPTIONAL: A 12-volt auxiliary hydraulic pump, which is powered by the truck's 12-volt battery, enables the operator to control any hydraulic functions without running the sweeper's engine.



E. Lights, Flashers, Alarm

The sweeper is equipped with a number of electric LED lights and flashers. Lights are standard for the broom(s) and the toolbox. These enable the driver/operator to see well when operating at night.



OPTIONAL: Lights illuminating the sweeping hood are also controlled by switches on the control panel.

OPTIONAL: A flashing bar light, strobe, or beacon light may be positioned on the top of the truck cab. These lights are used to alert pedestrians and motorists of the presence of the relatively slow moving sweeper machine. All lights are controlled via switches mounted on the control panel inside the truck cab.



F. Spray Bar

An optional spray bar is available. It is mounted to the front of the sweeper and provides additional dust suppression whenever the sweeper is being operated in extremely dusty conditions.

An electric water pump, which is powered by the truck's 12-volt system, supplies water to several nozzles. These nozzles are positioned along a pipe that is attached beneath the truck's front bumper.



G. Sweeping Hood

The central sweeping component of this air sweeper is the sweeping hood. The sweeping hood is mounted to the underside of the frame on both sides by a set of drag arms, tension springs and hydraulic lift cylinders.

A switch on the control panel operates the lift cylinders. The lift cylinders, along with the tension springs, control the vertical movement of the head.

The sweeping hood is connected to the fan housing and the hopper inlet tube by two large hoses. One hose is on the pressure (outflow) side while the other hose is on the vacuum (suction) side.



The pressure side hose is connected from the fan housing to the pressure inlet tube on the hood. The bottom of the vacuum hose is connected to the suction inlet tube on the hood, and the other end connects to the transition ring that seals against the hopper inlet tube when the hopper is in the lowered position. Both of these hoses are held in place by two metal band clamps, one at the top and the other at the bottom.

Details on the design and how it operates are included in the General Sweeper System Description. See pages 4 and 5..

H. Water System

It is necessary to control the amount of airborne dust within the sweeper's airflow system in order to avoid unnecessary wear of the fan, fan housing, hopper and sweeping hood.



This is accomplished by introducing a water spray at various locations on both the inside and outside of the sweeper. The dust suppression system should be used whenever the sweeper is operated unless it is during wet weather conditions.

Here's how the dust suppression system works: Water is pumped out from the bottom left side of the sweeper's polyethylene water tank via an electric water pump. This has been installed to force water out of the various spray nozzles that are located inside the hopper, around the sweeping hood and ahead of the curb broom (and optional right side curb broom).

Each spray nozzle produces a very fine mist that mixes with the dust and reduces the amount of abrasive airborne particles coming in contact with the sweeper components. Dual water pumps operate whenever a water function is enabled.

When water enters the sweeping hood it is drawn into the suction hose, where it continues to mix with the airborne dust. Once these water-laden dust particles enter the hopper they settle to the hopper floor.

The water tank fill opening is located on the right side of the power module.

By reducing the amount of abrasive airborne dust, the fan life is extended, as is the time between maintenance replacements of the fan housing liner. Use of the dust suppression system also reduces the amount of dust vented from the fan housing's exhaust.

I. Dual Steering

Dual steering is an option that allows the driver/operator of the sweeper to control the sweeper and chassis from the left or right hand side of the truck.

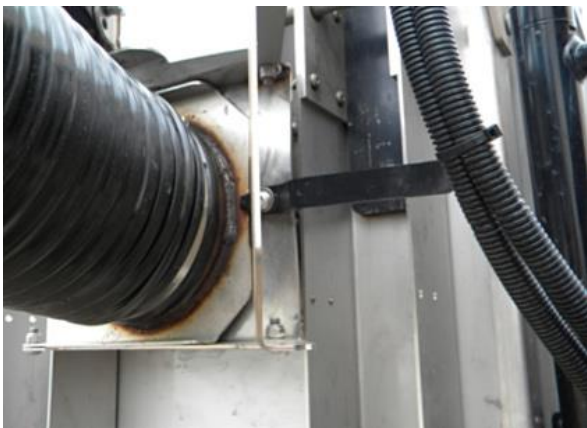
Major components relative to vehicle operation, (such as the steering wheel self-cancelling turn signals, the brake and accelerator pedal) are duplicated on both sides. Operating the sweeper from the right hand side gives the driver/operator better control while sweeping areas on the right side of the truck.





J. Hand Hose

The hand hose is a valuable option that's designed to clean areas that are hard to get to, for example shallow catch basins, parking islands and fence edges. The area that is otherwise inaccessible to the sweeping head. It is mounted on the back of the sweeper. The hand hose operates on fan-produced vacuum from within the hopper. It is attached to a spring loaded helper arm and a transition plate. This transition plate is hinged and pivots across a hole in the dump door and is latched into position.



IV. SWEEPER STARTUP PROCEDURES AND OPERATION

The following sections briefly cover the operation procedures for the sweeper's main components. It is best to know and understand the sweeper before use. Read this entire section for information to help you get started.

Before attempting to operate this sweeper, it is important to read and understand all the instructions and control functions in this manual.

Also, read the information in the Truck Owner's Manual.

Always check the auxiliary engine's oil and coolant levels prior to the sweeper's first startup of the day. Follow the maintenance procedures outlined in Section VI, PERIODIC MAINTENANCE SCHEDULES, as well as the maintenance procedures required in the auxiliary engine manufacturer's Owner's Manual.

THE FOLLOWING SECTIONS BRIEFLY OUTLINE THE OPERATIONAL PROCEDURES FOR THE R-SERIES SWEEPER'S MAIN COMPONENTS.

BEFORE ACTUALLY OPERATING THE SWEEPER, PLEASE READ THIS ENTIRE SECTION CAREFULLY.

A. Control Panel



The control panel is located inside the cab and mounted within easy reach of the driver. The controls are clearly marked and a map light is mounted above the controls to illuminate controls for night operation. As part of the controls there is also a series of indicator lights that warn for low hydraulic oil level, low water level and high hydraulic oil temperature.

This system uses an electric throttle that is also mounted on the sweeper control panel.

An hour meter is located at the bottom of the engine tachometer. This records the sweeper engine's run time. This gauge is important and should be checked periodically to detect any maintenance requirements.

On the top left of the control panel is an oil pressure gauge and on the right is the temperature gauge. All Stewart Amos Sweeper Co. sweepers use a shutdown system that will shut down the auxiliary engine in case of loss of oil pressure or overheating situations. This will automatically reset once the key is returned to the off position.



Tip: In order to conserve fuel and reduce noise, always use the lowest possible throttle position to accomplish a desired sweeping job.

B. Bleeder Valve (Throttle Type Lever)



The throttle type lever located on the right side of the chassis gear selection lever is used for mechanically opening and closing the bleed door on the blower housing. The purpose of this mechanical adjustment is so that the actual position of the door can be monitored for optimizing sweeping efficiency.

C. Auxiliary Engine Control System

Always check the auxiliary engine's oil and coolant levels prior to the sweeper's first startup of the day.

Look at the control panel to make certain that all switches are turned off. Exception: If the optional beacon/strobe light switches are preset to ON, the lights will automatically flash when the auxiliary engine ignition switch is turned to ON.

All engines are equipped with a glow plug function for cold weather applications by turning the key slowly until the glow plug light on the engine control panel lights. The light will light when turning the key between the run position and the start position. If you hold the glow plugs on, they will activate for 30 seconds and then turn off automatically. This is to prevent the glow plugs from burning out. If more heating is required the glow plugs may be activated for another 30 second period as required.

Start the engine with the throttle in the idle position. The sweeper is equipped with a safety shutdown system that will automatically shut the auxiliary engine off in the event of high coolant temperature or low oil pressure. Let the engine run for several minutes (until it warms up) before operating the sweeper.

D. Sweeping

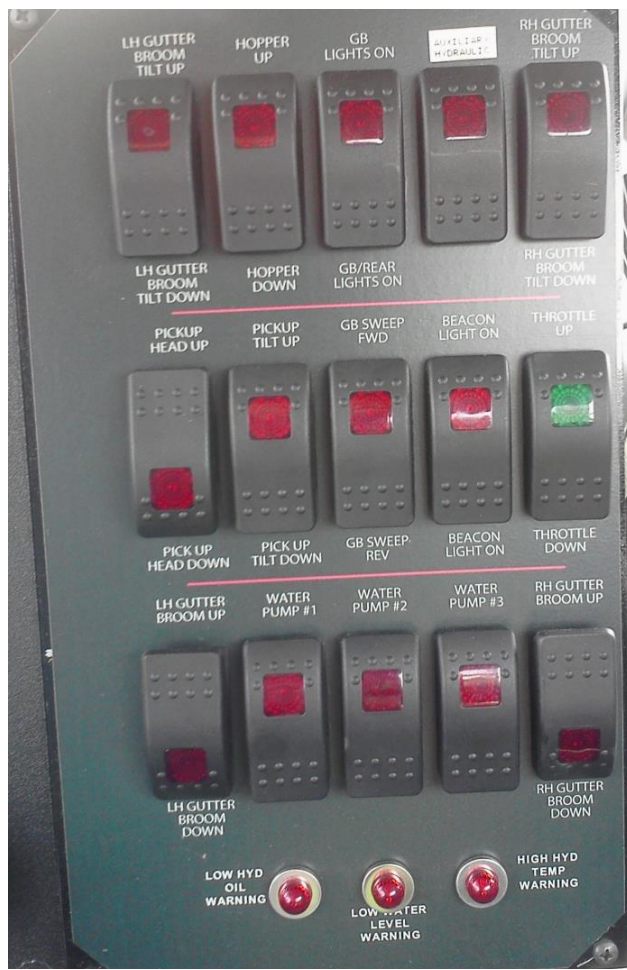
To begin sweeping, turn on all warning lights, strobe lights and beacons that will be used while sweeping. Start the auxiliary engine and set the throttle to the desired RPMs. Always use the lowest possible throttle position to accomplish a desired sweeping job. Turn 'ON' the switch (es) that correspond to the component(s) of the desired dust suppression.

During operation, the sweeper is typically driven between 1 and 15 mph, depending on maneuverability and the amount of debris to be picked up. Avoid sweeping over wood, large sticks and pieces of cardboard. These will clog the intake tube and may even cause damage to the intake hose.

When using the curb broom watch for large amounts of wire, which may become tangled in the broom. When you see these objects, stop, pick them up by hand and place them in the hopper through the side inspection doors.

DO NOT sweep too closely to a curb line or catch the hood runners in large holes. Catching a runner may twist, warp or otherwise damage the pickup hood, which is an expensive item to replace.

To raise the sweeping hood, press the PICKUP HEAD UP switch. The sweeping hood must be fully raised to provide maximum ground clearance before traveling. Always check to ensure the sweeping hood is completely raised prior to driving on a public roadway. Always turn 'OFF' the sweeper power switch before driving on the roadway, in order to prevent accidental engagement of the hood, brooms or other sweeping components.



E. Sweeping Condition Control

The sweeping condition control is the THROTTLE TYPE LEVER positioned between the seats close to the gear shift lever. This controls a damper located inside the fan housing, which can be used to direct all the airflow down the pressure hose and into the sweeping hood. Alternatively, it will divert a portion of the airflow to an exhaust port located directly beneath the hopper.

When sweeping curbs and streets, the damper door should be in the 'heavy' (closed 100%) position. This is accomplished by pulling the lever towards the rear of the cab, thus closing the door. This will direct all of the airflow to the sweeping hood, which produces the maximum blast in the sweeping hood's pressure inlet.

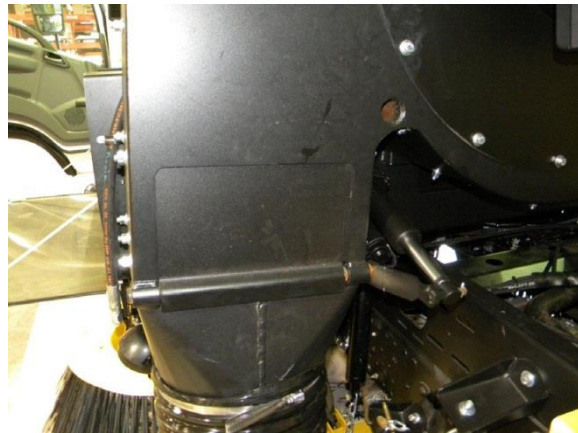
When sweeping light weight material, such as leaves, the damper door should be in the 'light' (open 100%) position. This is accomplished by pushing the lever forward towards the dash of the cab, thus opening the door. This decreases some of the volume of airflow to the pressure inlet, reducing the air pressure applied against the rear of the front curtain. This allows debris to pass beneath the front curtain more easily.

To sweep both light and heavy material in one pass, open and close the air bleeder as you sweep. Through practice, it will not take long to become skilled in using this method to efficiently sweep various types of material.

Air bleeder door shown 100% closed



Air bleeder door shown 100% open.



F. Curb Broom Operation



- To make the outside edge of the broom 'dig' harder into the curb line, press the broom tilt switch (s) UP.
- To reduce the broom tilt press the broom tilt switch (s) DOWN.

To extend the life of curb broom's bristles, we recommend the broom be used only for sweeping curb lines.

When driving to-and-from job sites, or any time the curb broom is not in use, raise the curb broom to the stored position. Always keep the curb broom in this position when you are traveling, in order to provide maximum ground clearance for safe transport. Also, turn 'OFF' the power switch on the control panel to avoid accidental engagement of the hood, brooms or other sweeping components while transporting.

G. Dust Suppression System

To use the dust suppression system, first turn on the auxiliary engine system by turning the switch on the control panel to 'ON.' Press the switch to 'ON,' which controls the water functions as desired. As conditions change, the water switches may be turned 'ON' and 'OFF.' The amount of time it takes to empty the water reservoir will depend on the number of switches in use and the length of time they are used.

When using a hydrant to fill the water reservoir, always allow the water to run for a short period of time before filling the reservoir. This will allow any sediment that may be trapped in the water line to flush out.

The sweeping hood and hopper spray nozzles should always be 'ON' when sweeping, except during rainy conditions. The switch for the left/right curb broom(s)/dust suppression, as well as the switch for the sweeping hood, may be turned 'ON' and 'OFF' as needed.

note: using excess water to wet down leaves and other light debris tends to make them stick to the pavement. Sometimes neither the blast force nor the vacuum suction can remove such wet debris.



H. Shutting Down the Sweeper

When you are finished sweeping, use the following steps:

1. Set the engine throttle to idle.
2. If the curb brooms are in use, stop their operation and retract them into the travel position.
3. Raise the sweeping hood completely to provide maximum ground clearance.
4. Turn 'OFF' the dust suppression system.
5. The sweeper warning and flashing lights should be turned to the 'OFF' position.
6. Turn the sweeper's power switch to 'OFF'.

I. Dumping the Hopper

The hopper should be dumped when it is full, or after sweeping has been finished for the day. Hopper dumping instructions are as follows:

1. Back the sweeper up to a suitable dumping area. Always dump on level ground and never dump over an open pit or dock.
3. Put the truck in 'PARK' and engage the emergency brake.
4. To raise the hopper:

When this switch is pushed, a sequence of functions takes place. First the door latches open and unlock the door. When the door latches are fully open they trigger a proximity switch that redirects the pressure oil to the hopper lift cylinders and door open cylinders. Second the door and hopper will begin to lift. This prevents the door from being closed and latched when the hopper is being lifted in case the load was to shift and put excessive force on the door causing failure of the door and hinges.

5. If you plan to have the hopper raised for longer than the time needed to dump the debris, place the safety chocks on the dump cylinders. This also applies for when the hopper is being washed out or any other time you may have it in the raised position.

6. If the safety chocks were used, remove them and make certain the area under the hopper is clear.

7. To lower the hopper:

When this switch is pushed, a sequence of functions also takes place. First the hopper comes down and the door closes. Once the door is closed it triggers a proximity switch which redirects the pressure oil to the door latch cylinders. This ensures the door latches do not close before the door is closed causing the latches to miss the latch rod that holds the door in the closed position.

J. Dual Steering

The dual steering components in the truck consist of integral, or a "cross shaft," design.

This allows the driver/operator to operate the sweeper from the driver, or passenger side, of the vehicle. **The driver/operator should only drive from the passenger side at slow speeds and only while actually sweeping.**





WARNING! Drive/travel from the left side only.

To operate the dual steering you must have the truck completely shut off then switch the toggle switch toward the desired operating side.

(Photo shown with the switch in left side operation mode. Press to the right for passenger- side operation mode. Make sure the chassis switch is completely off before doing the swap. Failure to do so could engage the check engine light.)

Integral steering: Integral steering is set up to provide you the most ‘factory feel’ of operation. It has the ability to tilt and telescope the steering wheel for more comfort!

Cross shaft steering: Cross shaft steering has a shaft that goes in between the two steering columns. You will not be able to adjust the steering wheels in any way with this design.



K. 12-VoLt Backup System

If your sweeper is equipped with the optional 12-volt back-up system follow these procedures for operating instructions.

1. Turn the console main power switch to the ON position.
2. Locate the switch on the top row that has ‘Auxiliary Hydraulics’ labeled on it.
3. Press and hold this switch down while pressing the desired switch/function.
4. This 12-volt system is a true backup and will run all hydraulic operations.

WARNING! Do not operate 12-volt pump for more than a minute; it is designed only to operate the system in case of a breakdown!



L. Rapid Reference Operating Outline

1. Check the truck engine and sweeper engine for the correct crankcase oil and coolant levels.
2. Fill the water storage tank.
3. Start the truck engine and check the control panel for the correct switch settings.
4. Crank the sweeper engine.
5. Let the engine warm-up to operating temperature before sweeping.
6. Turn 'ON' all warning lights and flashers.
7. Lower the sweeping hood to the pavement.
8. Throttle to desired sweeping RPMs.
9. Start the dust suppression system.
10. Turn on the curb broom if it is to be used.
11. Put the truck in gear and begin sweeping.
12. Avoid surface obstacles.

M. Recommended Operating Equipment

Whenever the sweeper is being operated it should be equipped with emergency equipment and hand tools. In the event of a breakdown or if you need to remove large debris, you will need safety devices. We recommend the following items, which may be adapted to suit your specific needs:

Shovel

Rake/Hoe

Heavy Push Broom

Gas Can

Tools/Toolbox

Flashlight

Safety Flares

Jumper Cables

Water Hose (to fill water tank)

Backpack Blower (oil/gas mix)

2-cycle Oil (for blower)

Quart of Oil

2-3 Cans of Tire Puncture Repair

Spare Tire

Fire Extinguisher

2-5 Ton Hydraulic Bottle Jack

IV. General Safety Guidelines

Safety is always of prime importance when operating any type of machine or vehicle in the vicinity of people. **All persons working with this unit are to be knowledgeable of the safety practices and features detailed in this section.**

Safety Is a Shared Responsibility

Safety is everyone's responsibility. Working together with Safety as the prime objective will insure a safe work environment and reduce injuries.

The operator must become familiar with safe operating procedures and use the equipment in the fashion that it was intended. Routine inspections and maintenance will prevent premature wear, expensive downtime and ensure that the equipment functions as it is intended.

Recognize Safety Information

This is the safety alert symbol. When you see this symbol in the manual or on your machine, be alert to the potential for personal injury.



DANGER: Identifies the most serious hazard

WARNING: Identifies a potential hazard if safety precautions are not taken

CAUTION: Identifies a general safety precaution

Equipment Lockout

It is strongly recommended that a commonly known Equipment Lockout procedure be enforced at your work environment. This is a series of precautions designed to protect any personnel that is inspecting, cleaning, or repairing the equipment. The Lockout Procedure should include the following.

1. Apply Parking Brake.
2. Place hopper, hopper door in secure positions so that they can not accidentally fall. If required, install additional blocking devices such as hopper safety pins.
3. Turn off Auxiliary Engine.
4. With auxiliary engine off, turn key to run position and work hydraulic functions to relieve any residual pressure in the hydraulic system.
5. Remove keys from ignition.
6. Store keys in pocket or in a safe controlled area.
7. Place an "OUT OF SERVICE" sign on the steering wheel using a non-reusable fastener.
8. Place an "OUT OF SERVICE" sign on the front window.
9. Disconnect negative terminal from battery.

Hopper Port Restrictors

To control the decent of the hopper under all conditions port restrictors are used in the hopper lift cylinders. These port restrictors are sized to give a controlled decent of the hopper even if a hydraulic hose would rupture with a full hopper at the top of its travel. The hopper would come back to the at rest position with minimal damage to the equipment.



DANGER: Do not remove or modify any port restrictors

General Safety Precautions

Before Operating Machine

1. Read the operators manual and the engine manual to familiarize yourself with safe operating practices before operating the machine.
2. Read the chassis operator's manual thoroughly to familiarize yourself with safe operating practices before operating machine.
3. Be sure all observers are clear of the machine and at a safe distance.
4. Ensure mirrors, windows, lights, and monitor equipment (if equipped), are clean and adjusted properly at all times.
5. Do not enter hopper unless engine is shut off, key is removed and there is a note posted indicating not to start the engine. (See Equipment Lockout).

When Operating Machine

1. Operate controls from the operator's station only.
2. Keep all riders off the machine.
3. Keep all safety shields in place.
4. Ensure the area is clear of any persons or possible obstructions.
5. Do not wear loose clothing or jewelry.
6. Do not leave the vehicle before it is brought to a complete stop and the parking brake is applied.
7. Be cautious while driving with an unevenly distributed load.
8. Inspect for overhead hazards (e.g. power lines) before raising the hopper.
- 9. Raise the hopper only on level ground.**
10. Ensure the hopper has completely lowered and the hopper door is closed before moving the vehicle. Do not move vehicle with hopper up.
11. Do not stand under the hopper when it is in the dump position.

When Servicing Machine

1. Follow the Equipment Lockout procedure described above.
2. Install safety pins into holes in slide frame to prevent scissor frame from moving when servicing under the hopper. (See Safety Features).
3. Never work under a loaded hopper even with safety pins installed.

Safety Features

This machine is equipped with many safety features. To operate this equipment safely, it is imperative to be aware of these functions. Please read all of the features listed, as the order they are presented does not reflect the degree of importance. Some safety features listed are options and MAY or MAY NOT be on your unit.

If there are concerns, report to your supervisor or maintenance department.

1. Decals - These must be clean and visible at all times.
2. Mirrors - A variety of mirrors, including large convex ones, are to help ensure adequate rear vision. These must be properly adjusted, clean and visible at all times!
3. Cameras – All machines are equipped with side and rear cameras, if so equipped, they must be in proper working order at all times. The rear camera option is also wired to the chassis transmission, when the chassis is shifted into reverse the rear camera will automatically activate and will go off automatically when chassis is shifted out of reverse.
4. Marker Lights - There is 1 marker lamp on each side of the sweeper and an ID bar at the back on the elevator cover. Marker lights are wired direct to chassis lights and come on with chassis lights.
5. Beacon and/or Strobe Lights - The switch is installed in the sweeper control box inside the cab. The lights are mounted on the front and rear canopy of sweeper.
6. Gutter Broom Lights - These lights are used for work lights and are mounted at both gutter brooms. The switch is found on the control box in the cab.
7. Main Broom Light - This light is used for a work light and is mounted on the drivers side at the back above the main broom. The switch for this work light is combined with the gutter broom light switch in the 3rd position.
8. Backup Alarm - When the truck is put into reverse this alarm sounds. The alarm is mounted to the rear canopy frame.
9. Hopper Safety Prop - If any work is to be done under a lifted hopper, insert props into the main frame roller rails. This will restrict any movement of the scissors frame sliders, thus keeping the hopper stable. **NEVER** use the safety pins to hold a **LOADED HOPPER!**
10. Arrow Board (option) - A separate control box mounted in the cab controls the arrow board mounted on the rear of the sweeper. A switch and pattern selector with indicator lights controls the order the light pattern.
11. Fire Extinguisher (option) - This is located in the cab behind the driver's seat.
12. First Aid Kit (option) - This is located inside the cab behind the driver's seat.

FOLLOW SAFETY INSTRUCTIONS

Carefully read all safety messages in this manual and on your machine safety signs.

Keep safety signs in good condition. Replace missing or damaged safety signs. Be sure new equipment components and repair parts include the current safety signs. Replacement safety signs are available from your dealer.

Learn how to operate the machine and how to use controls properly. Do not let anyone operate without instruction.

Keep your machine in proper working condition. Unauthorized modifications to the machine may impair the function and/or safety and affect machine life.

If you do not understand any part of this manual and need assistance, contact your dealer.

PREVENT BYPASS STARTING

Do not start engine by shorting across starter terminal.

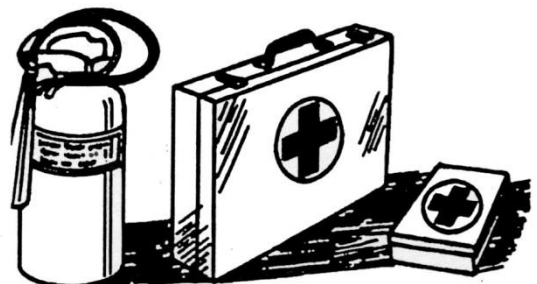
Start engines only from operator's station with transmission in park.

HANDLE FUEL SAFELY-AVOID FIRES

Handle fuel with care: It is highly flammable. Do not refuel the machine while smoking or when near open flame or sparks.

Always stop engine before refueling machine. Fill fuel tank outdoors.

Prevent fires by keeping machine clean of accumulated trash, grease, and debris. Always clean up spilled fuel.



PREPARE FOR EMERGENCIES

Be prepared if a fire starts.

Keep a first aid kit and fire extinguisher handy.

Keep emergency numbers for doctors, ambulance service, hospital, and fire department near your telephone.



NEVER USE STARTING FLUID

Starting fluid is highly flammable and can cause serious damage to engines.

WEAR PROTECTIVE CLOTHING

Wear close fitting clothing and safety equipment appropriate to the job.

Operating equipment safely requires the full attention of the operator. Do not wear radio or music headphones while operating machine.



PROTECT AGAINST NOISE

Prolonged exposure to loud noise can cause impairment or loss of hearing.

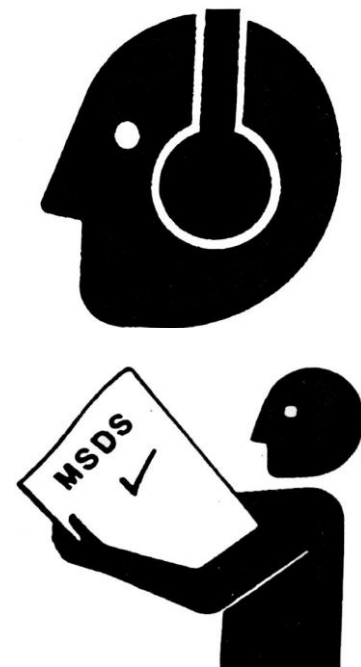
Wear a suitable hearing protective device such as earmuffs or earplugs to protect against objectionable or uncomfortable loud noises.

HANDLE CHEMICAL PRODUCTS SAFELY

Direct exposure to hazardous chemicals can cause serious injury. Potentially hazardous chemicals used with this equipment include such items as lubricants, coolants, paints, and adhesives.

A Material Safety Data Sheet (MSDS) provides specific details on chemical products: physical and health hazards, safety procedures, and emergency response techniques.

Check the MSDS before you start any job using a hazardous chemical. That way you will know exactly what the risks are and how to do the job safely. Then



follow procedures and recommended equipment.
(See your dealer for MSDS on chemical products used with this equipment.)

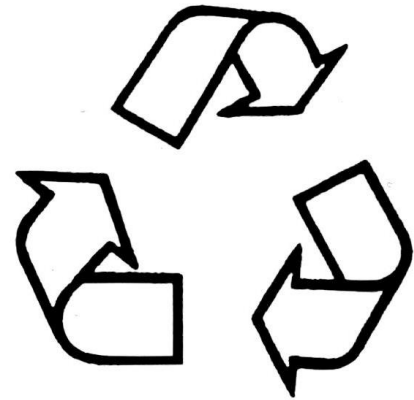
DISPOSE OF WASTE PROPERLY

Improperly disposing of waste can threaten the environment and ecology. Potentially harmful waste used with this equipment include such items as oil, fuel, coolant, brake fluid, filters, and batteries.

Use leak proof containers when draining fluids. Do not use food or beverage containers that may mislead someone into drinking from them. Do not pour waste onto the ground, down a drain, or into any water source.

Air conditioning refrigerants escaping into the air can damage the Earth's atmosphere. Government regulations may require a certified air conditioning service center to recover and recycle used air conditioning refrigerants.

Inquire on the proper way to recycle or dispose of Waste from your local environmental or recycling center, or from your dealer.



PRACTICE SAFE MAINTENANCE

Understand service procedure before doing work. Keep area clean and dry.

Never lubricate, service, or adjust machine while it is moving. Keep hands, feet, and clothing from power-driven parts. Disengage all power and operate controls to relieve pressure. Lower equipment to the ground. Stop the engine. Remove the key. Allow machine to cool.



Securely support any machine elements that must be raised for service work.

Keep all parts in good condition and properly installed.

Fix damage immediately. Replace worn or broken parts. Remove any buildup of grease, oil, or debris.

Disconnect battery ground cable (-) before making adjustments on electrical systems or welding on machine.

WORK IN VENTILATED AREA

Engine exhaust fumes can cause sickness or death. If it is necessary to run an engine in an enclosed area, remove the exhaust fumes from the area with an exhaust pipe extension.

If you do not have an exhaust pipe extension, open the doors and get outside air into the area.



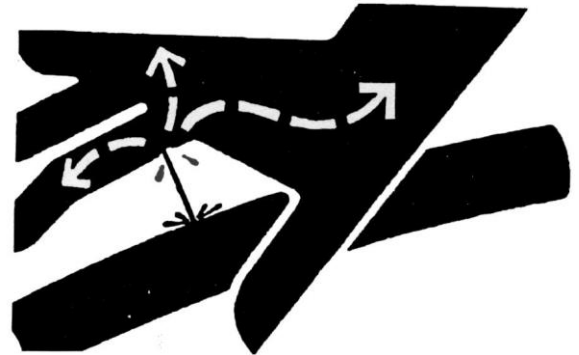
AVOID HIGH-PRESSURE FLUIDS

Escaping fluid under pressure can penetrate the skin causing serious injury.

Avoid the hazard by relieving pressure before disconnecting hydraulic or other lines. Tighten all connections before applying pressure.

Search for leaks with a piece of cardboard. Protect hands and body from high pressure fluids.

If an accident occurs, see a doctor immediately. Any fluid injected into the skin must be surgically removed within a few hours or gangrene may result. Doctors unfamiliar with this type of injury should reference a knowledgeable medical source.



AVOID HEATING NEAR PRESSURIZED FLUID LINES

Flammable spray can be generated by heating near pressurized fluid lines, resulting in severe burns to yourself and bystanders. Do not heat by welding, soldering, or using a torch near pressurized fluid lines or other flammable materials. Pressurized lines can be accidentally cut when heat goes beyond the immediate flame area.



REMOVE PAINT BEFORE WELDING OR HEATING

Avoid potentially toxic fumes and dust.

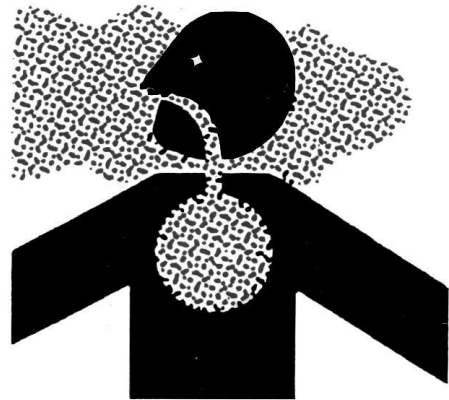
Hazardous fumes can be generated when paint is heated by welding, soldering, or using a torch.

Do all work outside or in a well ventilated area.
Dispose of paint and solvent properly.

Remove paint before welding or heating:

If you sand or grind paint, avoid breathing the dust.
Wear an approved respirator.

If you use solvent or paint stripper, remove stripper with soap and water before welding. Remove solvent or paint stripper containers and other flammable material from area. Allow fumes to disperse at least 15 minutes before welding or heating.



SERVICE COOLING SYSTEM SAFELY

Explosive release of fluids from pressurized cooling system can cause serious burns.

Shut off engine. Only remove filler cap when cool enough to touch with bare hands. Slowly loosen cap to first stop to relieve pressure before removing completely.



AVOID HARMFUL ASBESTOS DUST

Avoid breathing dust that may be generated when handling components containing asbestos fibers. Inhaled asbestos fibers may cause cancer.

Components in products that may contain asbestos fibers are brake pads, brake band and lining assemblies, clutch plates, and some gaskets. The asbestos used in these components is usually found in a resin or sealed in some way. Normal handling is not hazardous as long as airborne dust containing asbestos is not generated.

Avoid creating dust. Never use compressed air for cleaning. Avoid brushing or grinding materials containing asbestos. When servicing, wear an approved respirator. A special vacuum cleaner is recommended to clean asbestos. If not available, apply a mist of oil or water on the material containing asbestos. Keep bystanders away from the area.



STAY CLEAR OF ROTATING EQUIPMENT

Entanglement in rotating equipment can cause serious injury or death. Keep shields in place at all times.

Wear close fitting clothing. Stop the engine before making adjustments or performing any type service on the equipment.



DIESEL FUEL STORAGE

Proper fuel storage is critically important. Use clean storage and transfer tanks. Periodically drain water and sediment from bottom of tank. Store fuel in a convenient place away from buildings.

IMPORTANT: DO NOT store diesel fuel in galvanized containers. Diesel fuel stored in galvanized containers reacts with zinc coating on container to form zinc flakes. If fuel contains water, a zinc gel will also form. The gel and flakes will quickly plug fuel filters, damage injection nozzles and injection pump.

DO NOT use brass-coated containers for fuel storage. Brass is an alloy of copper and zinc.

FILLING FUEL TANK



CAUTION: Handle fuel carefully. Do not fill the fuel tank when engine is running. DO NOT smoke while filling fuel tank or servicing fuel system.

IMPORTANT: The fuel tank is vented through the filler cap. If a new filler cap is required, always replace it with an original vented cap.

Fill fuel tank at the end of each day's operation to prevent condensation in tank as moist air cools and freezes during cold weather.

Store diesel fuel in plastic, aluminum, or steel containers specifically coated for diesel fuel storage.



Avoid storing fuel over long periods of time. If fuel is stored for more than a month prior to use, or there is a slow turnover in fuel tank or supply tank, add a fuel conditioner to stabilize the fuel and prevent water condensation. Fuel conditioner also reduces fuel gelling and controls wax separation during cold weather.

Consult your engine distributor or servicing dealer for recommendations and local availability. Always follow manufacturer's directions on label.

Read and understand these safety sections before operating or servicing the sweeper. Learn how to stop the sweeper's engines suddenly in an emergency. Only persons who have read the manuals and have been properly trained should operate the sweeper.

- Do not operate the sweeping unit without having the sweeping hood hoses in place.
- Remove the truck's ignition keys whenever working under the truck or sweeper.

- Open (turn off) the optional battery disconnect switch (located beside the battery tray) when working on or near the auxiliary engine or its drive belts. This is to prevent an accidental starting or cranking of the auxiliary engine.
- Do not dump the hopper unless it is on level ground. When you dump, the truck must be in “PARK” and the emergency brake must be engaged. Do not try to dump the hopper over a dock or open pit.
- Whenever working under a raised hopper, make sure the safety chocks (provided with the unit) are in place at the dump cylinders.
- Whenever the hopper is lowered, beware of the area between the hopper and the frame. This is where a crushing injury may occur when either the hopper or the frame moves.
- Do not remove any of the belt guards, or work near drive belts while wearing any jewelry or loose clothing.
- To keep the engines in good condition, always use the proper tools for the job you are performing.
- Additional important safety guidelines are located in the Owner’s Manuals for the chassis and sweeper engine.

Safety is of the utmost importance. Most accidents can be avoided by being aware of the conditions, the area and the equipment being operated. Always observe reasonable precautions and be a safe and careful operator.

A. Safety Alert Symbols

The Safety Alert Symbol, accompanied by a word, appears on the decals attached to your sweeper.

When you see one of these symbols It means that your safety Is Involved! Be alert and use Caution! Read, understand and follow all safety messages. You should always practice usual and customary safe working precautions in order to avoid serious injury or death. Also, use good common sense to avoid accidents and hazards.

The following one-word cautions used with the symbols are:



CAUTION! This is the lowest level of a safety message.
It warns of possible injury and the signs are black and yellow.



WARNING! These signs will warn you of a serious injury or possible death.
These signs are black and orange.

Always maintain the safety decals in good, readable condition. If the decals are unreadable, damaged or missing, install replacement decals immediately. Contact Stewart-Amos Sweeper Co. for replacement of any decals needed.

All protective safety devices, guards and safety shields should be used and kept in good working condition. They should be inspected daily for any missing, worn or broken components. If any damage arises they must be replaced so they are in good working condition before the sweeper is operated. This must always be done to prevent the possibility of serious injury or death from thrown objects or entanglement. Never remove, modify or cut any of the sweeper's protective shields and guards!

The sweeper must be equipped with a fire extinguisher, rated for all fires, located in an accessible and visible area. Never obstruct access to the fire extinguisher. It should be inspected routinely by a certified inspector for operational use, and replaced as needed.

B. Chassis Driver Safety Instructions

1. The sweeper operator must possess a valid motor vehicle license and meet any other requirements of the state in which the sweeper is operated. Contact your local State Department of Public Safety for any special licensing requirements needed to operate the sweeper in your area.
2. The operator of the sweeper must be trained and knowledgeable in the use and safety of this sweeper. This includes reading and completely understanding the Owner/Operator Manuals for the sweeper, the truck and the auxiliary engine. If the operator has any questions or does not fully

understand information in any of the Manuals, contact the manufacturer of the equipment discussed in that Manual for a detailed explanation. Never allow an untrained or unqualified driver to operate the sweeper.

3. New operators should be trained in an open area, one that is clear of obstructions, prior to operating on public roadways.
4. Never use drugs or alcohol immediately before or while driving/operating the sweeper. Drugs and alcohol will affect the operator's alertness and coordination, which can affect their ability to operate the sweeper safely. Any operator using prescription or over-the-counter medication must consult a medical professional to determine any side effects of the medication that might reduce their ability to operate the sweeper safely. Never knowingly allow anyone to operate the sweeper when their alertness or coordination is impaired, as doing so could cause serious injury or death to the operator or others.
5. **Prolonged exposure to loud noise may cause permanent hearing loss!** Sweeper operation can be noisy enough to cause permanent hearing loss. We strongly recommend that operators always wear hearing protection when the noise in the cab exceeds 80 dB. Noise over 85 dB, when sustained over an extended amount of time, has been shown to cause hearing loss. Noise exceeding 90 dB over an extended amount of time will cause permanent or total hearing loss. Please note that hearing loss from loud noises from sweepers, radios, mowers, chain saws and other such sources close to the ear is cumulative over a lifetime with no hope of natural recovery.

C. Operator Safety Instructions

THE SAFETY INSTRUCTIONS LISTED BELOW ARE INCLUDED IN ORDER TO PREVENT ACCIDENTS, SERIOUS INJURY, DISMEMBERMENT OR DEATH TO THE OPERATOR AND/OR ANY BYSTANDERS OR ANIMALS. READ AND UNDERSTAND THESE INSTRUCTIONS FULLY BEFORE OPERATING THE SWEEPER OR THE TRUCK.

1. NEVER attempt to get onto or off of the sweeper or truck while the machine is moving.
2. Start the truck engine and auxiliary engine only when the operator is seated in the truck's operator seat with the seat belt fastened. Read the truck and Auxiliary engine Owner/Operator's Manuals for proper starting instructions and operation.
3. Operate the sweeper controls only when you are properly seated with the seat belt fastened.

4. **Drive or transport the sweeper only at safe speeds.** Familiarize yourself with the driving characteristics of the truck and how it handles before operating or transporting on streets and highways. Serious accidents and injuries can result from driving this sweeper at unsafe speeds. Make sure the truck's steering, brakes and wheels are in good condition and that all components work properly. Before driving the sweeper, determine the safe speeds for the machine and operating conditions. Abide by the following rules:

- Test the sweeper at a slow speed and increase the speed slowly. Apply the brakes smoothly to determine the stopping characteristics of the sweeper. Remember, as you increase the speed of the truck the stopping distance also increases. When driving on wet or rain-slicked roads and down hills, the braking distance also increases. Use extreme care in these situations and reduce your speed. Never operate the sweeper with weak or faulty brakes.
- Obey all traffic laws and regulations. Never exceed the posted speed limit.
- Please be aware that the sweeper has a high center of gravity. This factor may be further increased when the hopper and/or the water tank are full. Make sure extreme caution is used when driving at highway speeds. Slow down for sharp corners to avoid tipping or turning the sweeper over.
- Only drive the sweeper at speeds determined to be safe and that allow for proper control of the machine while driving and during an emergency.

5. Before starting into the sweeping operation, make sure that all warning signal lights are connected, visible and working. The sweeper's headlights, brake lights, backup lights and turn signals should be routinely inspected for correct functioning. Immediately repair any non-functioning light(s).

6. **Use EXTREME CAUTION when operating the sweeper in traffic.** The sweeper is equipped with warning signals and flashing lights. Use these to alert motorists and pedestrians of the sweeper's presence and relatively slow speed.

7. **Do not exceed** the rated operating speed for the truck and auxiliary engines. Sweep at a speed that allows safe operation and control of the sweeper. This will depend on the street condition and the type and amount of debris being collected. The normal speed range is between one and three miles per hour (mph). Slow down for parked cars, curbs, corners, protruding signs and any other obstacles. Use slow travel speeds when you are operating on or near drop-offs, ditches, steep slopes, power lines, and any overhead obstructions, or when avoiding debris and foreign objects. Excessive operating speeds can cause engine and sweeper components to fail.

8. **NEVER** reach outside of the truck cab window/door to pick up a foreign item or to clear obstacles such as a road sign or tree limb that is obstructing passage. Instead, stop the sweeper, shut down all sweeping components and wait for all the parts to come to a complete stop. Only then should the operator exit the cab to handle the obstacles.

9. **DO NOT** raise the sweeper's broom components when bystanders are within 25 feet of the sweeper. Make sure that the curb brooms have come to a complete stop before raising them from the street surface. Raising the sweeping components exposes the rotating brooms, which creates a potentially serious hazard due to thrown objects or from direct broom contact
10. **DO NOT** operate the sweeper if the fan's exhaust (blast) hose is removed, damaged or improperly installed on the outlet tube or sweeper hood. The fan can throw objects, resulting in serious injury to the operator or bystanders.
11. Any objects that could become entangled in a sweeping component, as well as any that could plug the suction tubes, **MUST** be removed from the pavement or surrounding area prior to sweeping. Objects such as chains, rope, cable and wire could become entangled in the rotating parts of the sweeping component and cause mechanical damage as well as serious injury.
12. **KEEP AWAY FROM ROTATING CURB BROOMS** to prevent entanglement and possible serious injury or death. Be aware that rotating brooms can pull bystanders into the sweeper.
13. **KEEP AWAY FROM SUCTION** Components such as the suction head and suction hoses. Air enters the fan housing with a great amount of force. Also use extra caution when the power is running and the hopper is raised. **DO NOT** wear loose clothing or position yourself or others near the fan- housing inlet. This is necessary in order to prevent being drawn into the sweeper, which can cause serious injury or death. Keep any items that might be drawn into the sweeper hood (such as tools and replacement parts) clear of the sweeper before starting operation.
14. **NEVER ALLOW CHILDREN TO PLAY ON OR UNDER THE SWEEPER OR TO OPERATE THE SWEEPER'S CONTROLS.** Children can slip and/or fall off the sweeper or cause the sweeper components to shift, which can result in serious injury (crushing themselves or others) or death.
15. **AVOID** body contact with debris collected in the hopper. Always use protective clothing, including gloves and eye protection, when servicing or working in or around the hopper. Debris in the hopper can cut or puncture, so leather gloves are recommended when operator or others need to handle hopper debris.
16. **NEVER SWEEP** Into hot **OR BURNING DEBRIS.** A burning object, even something as small as a lit cigarette, could ignite the collected waste inside the hopper. This could possibly destroy the sweeper and inflict serious injury or death to the operator of the sweeper and/or bystanders.

17. DO NOT ALLOW THE SWEEPER TO COME IN CONTACT WITH POTENTIALLY DANGEROUS AND/OR HAZARDOUS MATERIAL. Hazards may include, but are not limited to, the following:

- Cutting Hazards – Broken Glass, Lumber with Protruding Nails
- Corrosive Materials – Batteries, Acids and Bases
- Fire Hazards – Fuel Spills, Burning Materials
- Chemical Hazards – Chemical Spills, Discarded Chemical Containers
- Biological Hazards – Decaying Carcasses, Biomedical Waste
- Carcinogenic Materials – Asbestos
- Radioactive Hazards – Radioactive Waste, Radioactive Material



CAUTION

These types of material usually require special handling to ensure safe collection and proper disposal. These items should not be collected by the sweeper, nor can they be disposed of in a general landfill site like most sweeper- collected waste. Contact the appropriate authority for the collection and disposal requirements of any such material.



WARNING

18. **ALWAYS** wear OSHA-approved and required personal protective equipment when coming in contact with, and/or removing, potentially dangerous and hazardous material that has been collected by the sweeper or that is obstructing the sweeper components. Use extra caution with dangerous and hazardous material such as decaying carcasses, sharp objects, chemicals, etc.

19. **The sweeper operator should use EXTREME CAUTION when operating within 25 feet of a bystander.** Stop sweeping if anyone comes within 25 feet of the sweeper! Also use caution when sweeping dense objects such as gravel or broken glass. Objects may become dislodged and then propelled a distance of up to 25 feet.

20. **EXTREME CAUTION** should be used when backing up the sweeper. Make sure no bystanders, animals, signs, vehicles or buildings are in the sweeper's path. Ensure that the sweeper is not being backed into the path of vehicle or pedestrian traffic.

21. **ALWAYS CHECK** to make sure no bystanders or animals are within 25 feet of the sweeper when cleaning the hopper or dumping its contents. The hopper contents may exceed several thousand pounds and could fall on or crush a bystander or animal.

D. Maintenance Safety Instructions

The safety instructions listed below are designed to prevent accidents, serious injury, dismemberment or death to the operator and/or any bystanders or animals. Read and understand these instructions fully before performing any maintenance on the sweeper or the truck.

1. Periodically inspect all of the moving parts for wear, and replace them as needed with authorized service parts. You will need to look for leaky or loose fasteners and fittings and worn or broken parts. Check to make sure all cotter pins and washers are in place. Maintain your sweeper in good working order to prevent serious injury.

2. Perform a walk-around inspection on the entire sweeper prior to each use. Accidents may occur, or damage could result to the sweeper, if it is not properly maintained and in good working order. Check the following:

- Make sure that all safety shields and guards are in place and in good working condition.
- Check the tires for tread wear and make sure the tire pressure is at the rated PSI.
- Make sure all the fluid levels are full. Replenish if necessary.
- Make sure the fuel, oil and coolant caps are on and tightened.
- Check for any loose bolts, worn or broken parts, leaky or loose fittings, or pinched hydraulic hoses.
- Make sure any replacements are the correct size and properly installed.

3. **DO NOT** approach or inspect the sweeper fans while they are rotating. Shut down the sweeper and wait for all rotating motion to stop completely before inspecting or performing maintenance.

4. **USE EXTREME CAUTION** when climbing onto the sweeper to perform repairs, maintenance or routine cleaning. Use all appropriate stands and ladders to access the areas that cannot be reached from the ground level.

5. Before performing any maintenance on the sweeper, stop both the truck and auxiliary engines. Place the transmission in park and set the parking brake. After the engines have been turned off, remove the keys to prevent inadvertent or accidental starting.
6. **NEVER** operate the truck or auxiliary engine in a closed building or without adequate ventilation. The exhaust fumes can be hazardous and deadly to your health.
7. **NEVER** attempt to clean, adjust, repair, lubricate, remove obstructions or perform any type of service to the sweeper or its components while the sweeper is in motion and/or the truck and auxiliary engine is running. Completely shut down the sweeping components, the truck engine and the auxiliary engine and wait for all motion to come to a complete stop before servicing the sweeper.
8. **NEVER** remove the sweeper's exhaust hose (going to the sweeping hood) in order to perform repairs or maintenance while the sweeper is operating. Objects could be propelled from an open hose at a very high velocity, causing serious injury or death. Always turn off the sweeping components, the truck and auxiliary engines, and then wait for all motion to come to a complete stop before servicing any sweeper component.
9. **NEVER** crawl under the hopper bin while the hopper is in the raised position until the hopper has been secured with the safety prop in position. An accidental operation of a lifting lever or a hydraulic failure may cause a sudden drop of the unit.
10. **NEVER** come into contact with the hot surfaces on the bottom of the skid shoes. Use gloves and eye protection when inspecting or servicing hot components.
11. **ALWAYS** remove the negative battery cable from the battery, or turn off the battery disconnect switch, prior to performing maintenance on the electrical system. This must be done in order to prevent accidental circuit shorting and sparks, which can result in wiring damage, fire and/or personal injury.
12. Battery post terminals and related parts contain lead and lead compounds. These chemicals are known to the state of California to cause birth defects or other reproductive harm. **ALWAYS WEAR GLOVES DURING, OR WASH YOUR HANDS AFTER, HANDLING THEM.**
13. **NEVER** operate the sweeper with leaking hydraulic oil or fuel as this could present a hazard. **DO NOT CHECK FOR LEAKS WITH YOUR HANDS!** Use a heavy piece of paper or cardboard, or some other suitable object. High- pressure streams of oil coming from leaks or breaks in the line could penetrate the skin. If this happens, have the injury treated immediately by a physician who has knowledge and skill in this situation.
14. **NEVER** attempt to tighten a connection or repair a pump or hose while the system is pressurized. Always shut down the truck and auxiliary engines first, in order to relieve the hydraulic oil pressure, before performing any repairs to the hydraulic system.

15. **USE EXTREME CAUTION** when refueling the sweeper. Fuel is highly flammable and explosive, and can be dangerous if not handled safely. Follow the precautions listed below to reduce the danger involved in refueling:

- Turn off the truck and auxiliary engines before refueling.
- **DO NOT** refuel while smoking or near an open flame.
- **DO NOT** store the sweeper, with fuel in the tank, in a building where fumes can reach an ignition source.
- When filling the tank use a plastic funnel — without a metal screen or filter — in order to avoid fire or an explosion caused by static electric discharge.
- **DO NOT** spill fuel, as it can damage plastic and painted surfaces. Clean up any spilled fuel immediately.

DO NOT MODIFY OR ALTER THIS SWEEPER. Do not allow anyone to modify or alter this sweeper, its components, or any of its sweeper functions.

VI. General Sweeper Maintenance Checks

This information is to be used in combination with your truck chassis and auxiliary engine Owner's Manuals. You will need to refer to each manual for specifics on maintenance schedules and procedures for this unit.

When you are using the sweeper on a daily basis you will need to do a walk around inspection prior to each operation. One of the best times to do this is when you are filling the water tank or whenever the hopper is raised. Here are examples of what to look for:

1. Are any of the belts loose or frayed?
2. Do all the seals look tight? Is the dump and side doors tight?
3. What condition are the fan and suction seals in?
4. Check all the fluid levels and replenish as necessary.
5. Look at the air filter's air restriction indicator. It is located on or near the auxiliary engine's air filter canister. Has the 'need to service' window changed colors? If it has changed, then change the air filter.
6. Inspect the curb brooms for bristle wear and any leaking hydraulic oil on the hoses or fittings.
7. Are the curtains or flaps properly adjusted? Do they need replacing?

8. Is the sweeping hood rested properly on the ground?
9. Are all the safety shields and guards in place and in good working condition?
10. Check for any loose bolts, worn or broken parts, leaky or loose fittings, or pinched hydraulic hoses.

Performing any needed repair of the sweeper components prior to traveling to the sweeping location saves time and is much easier when you have the proper tools available.

R-6 Maintenance Filter Cross Reference

Filter Manufacturer	KUBOTA	DONALDSON	FRAM	CARQUEST	BALDWIN	ZINGA		
small hyd. oil filter	1416	P551551	P1653A	85259	BT839-10	AE-10		
V2403								
engine oil	2261	HH1C0-32430	P550318	PH10968	84430	B7298		
outer air filter	2267		P828889	CA8737	88562	RS3544		
inner air filter	2268		P829333	CA8737SY	88569	RS3545		
fuel filter	1108	16631-43560	P502163	P9458	86398	BF7967		
ISUZU CHASSIS (2011)						ISUZU	FLEET VALUE	
engine oil	1268		ELF7947	HPH3690FP	84521	BD7169	97780196	2-94561-103-0
air filter	1269		P543614	CA9856	88932	RS5434	97779878	5-87610-020-0
automatic trans.							97780203	2-94561-102-0
fuel filter - engine mounted							97780136	2-94561-104-0
fuel filter - frame mounted							97780135	2-94561-106-0
Isuzu maintenance kit - includes - all filters, gaskets, wiper blades and reminder label.							97780217	2-90201-103-0

A. Lubrication Maintenance Schedule

Item	FREQUENCY	LUBRICANT
Truck chassis and engine	Refer to truck Owner's Manual	Refer to truck Owner's Manual
Change auxiliary engine oil & filters	Refer to auxiliary engine Owner's Manual	Refer to auxiliary engine Owner's Manual
Fan shaft	Every 250 hours of	Grease with lithium-based

bearings	operation	grease, one pump from a hand-operated gun. DO NOT over-grease or use a power gun
Curb broom arm joints	Every 120 hours of operation	Grease with a Lithium-based grease.
Fan and intake seals	As required	Lubricate with a rubber protectant, petroleum jelly or grease to prevent drying and loss of resilience.

B. PERIODIC MAINTENANCE SCHEDULES

The Daily and Weekly Maintenance Schedules list specific items and areas that need to be inspected. The items listed cover the main areas that must be checked; however, it is not a complete list.

The Daily and Weekly Maintenance Schedules have been designed so that you may make copies and keep a record of when the sweeper was inspected and by whom.

B1. DAILY MAINTENANCE (EVERY 8 HOURS OF OPERATION)

WARNING: Remove chassis keys and/or disconnect the chassis battery cable when checking the fan housing liner or the fan.

TRUCK SWEEPER HOOD

Check the air filter. Replace as needed

Check the engine oil and fill to proper level. Refer to Truck Owner's Manual for oil weight & frequency.

Check the fan belts for wear and tension.

Check the tires for excessive

SWEEPER HOOD Check runners for wear and replace. If worn 80% of the way through.

Check for holes, tears or uneven ground contact when the hood is down. Adjust chain length or replace.

Check drag arm bolts for wear. If worn into bolt shoulder, replace with common grade of same size.

Check intake & exhaust hoses for

wear or objects. Fill to the proper pressure.

Check the radiator coolant and fill to level. Check hoses for cracks.

Fill the fuel tank as needed. Keep track of gallons used each day.

Check transmission fluid with the engine running. Fill as needed.

AUXILIARY ENGINE CURB BROOM Check oil level. Fill as needed. Refer to Auxiliary Engine Manual

Check belt alignment, tension and wear.

Check radiator coolant level. Refer to Auxiliary Engine Manual.

Clean radiator cooling fans and frontal area as necessary.

Check the air restriction indicator window replace the filter's dry element if window shows 'need to service'. DO NOT BLOW OUT THE ELEMENT.

WATER SYSTEM Flush 'Y' strainer with water and fill water reservoir. Inspect all water nozzles for proper operation. If not operating, disassemble & clean or replace filters.

wear and replace if holes or tears are present.

HOPPER SCREEN

Rinse out with water.

DRIVE BELT

Check tension & wear. Tighten if deflection is greater than 1/2". Replace if worn.

FAN & INTAKE TUBE SEALS Check for wear & tears. Replace if they do not seal properly. Lubricate with petroleum jelly or equivalent.

CURB BROOM

Fill hydraulic reservoir as needed. Adjust disc angles as needed to compensate for wear.

INSPECTED BY:

DATE: _____

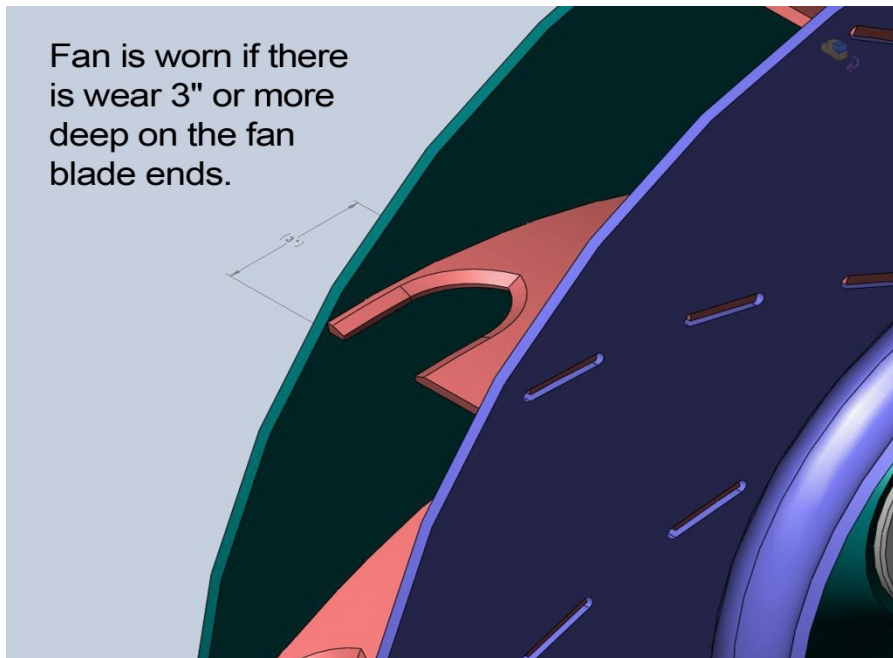
B2. WEEKLY MAINTENANCE (EVERY 40 HOURS OF OPERATION)

WARNING: Remove the chassis keys, turn off optional safety disconnect, and/ or disconnect the auxiliary engine's negative battery cable when checking the fan housing liner or the fan.

Item	Maintenance
Fan	Check for wear of the blades and replace if worn through.
Fan Housing Liner	Check for wear and replace at first signs of holes.
Fan Housing Liner Bolt	Check the heads for wear and replace as needed
WATER SYSTEM	Drain the water reservoir. Remove and clean the screen inside the 'Y' strainer.

INSPECTED BY:

DATE: _____



C. COMPONENT MAINTENANCE PROCEDURES

C1. CLEARING OBSTRUCTIONS FROM THE INLET TUBE

1. Locate the sweeper in an area conducive to safe work practice. Make sure the sweeper is parked with the brakes set and that the engine is off.
2. Remove all keys (chassis and console).
3. Remove the band clamp from the bottom end of the flexible intake tube, which is connected to the sweeping hood. Clear the tube of obstructions from the lower end.



CAUTION: be extremely careful when cleaning the inlet tube, as sharp objects such as metal, glass, hypodermic needles, hazardous materials, etc., may be present. Be sure to wear appropriate protective equipment!

4. Reconnect the flexible intake tube and tighten the band clamp to the sweeping hood. Check for proper operation before continuing.



WARNING: Do not raise the hopper in an attempt to clear the obstruction from the top of the suction tube. Doing this can create a crushing injury between the hopper and the top of the suction tube.

C2. CLEANING MAINTENANCE

To keep your sweeper operating at its peak performance it is imperative that you clean it daily. Dirt and grime are much harder to remove once they have had a chance to build up and bond to surfaces. Daily debris collects and adheres rapidly, decreasing airflow, blocking water nozzles, and causing unnecessary wear. You will maximize the life of the components by cleaning the sweeper as often as possible.

C2a. Cleaning Procedures

1. Spray-wash the outside and the underside of the sweeper and truck cab. Be sure to remove rust-causing road grime.
2. Clean out the inside of the truck cab, removing any items not required during sweeping operations.
3. Clean windows and mirrors for maximum visibility.
4. Dump the hopper contents.
5. Open the side inspection doors and spray wash with the maximum water pressure available.
6. Raise the hopper for a final wash through the open doors. Pay special attention to corners and seams.
7. Wash the sweeping hood, inlet hoses and tube, both inside and out.
8. When you have completed the washing leave the hopper inspection doors to the inside open to let it dry as soon as possible.
9. If practical, leave the hopper raised an inch or two in order to relieve the pressure against the fan and intake seals. This allows the seals to regain their shape and provide longer wear for them.

C3. STORAGE MAINTENANCE

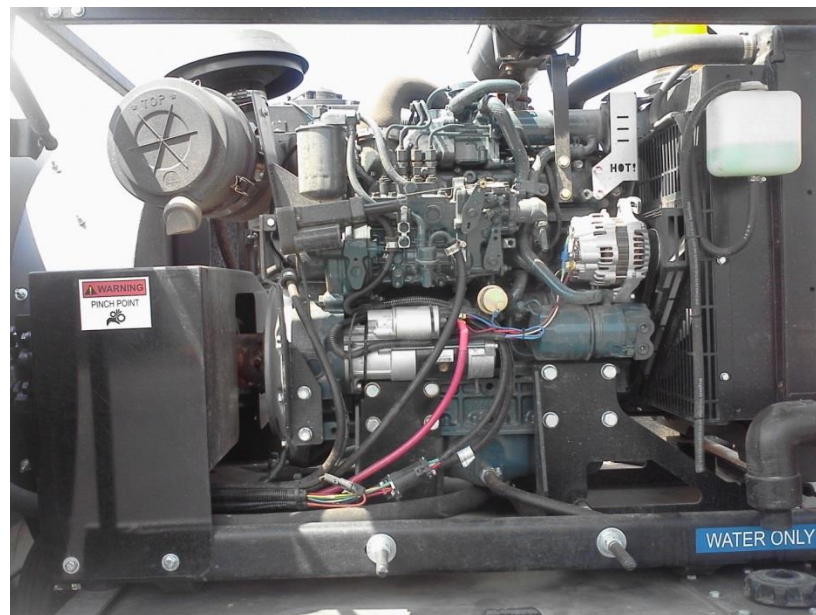
The importance of proper storage and maintenance care cannot be over emphasized. Your sweeper is the core of your business and with the proper care it will provide the service needed. The day-to-day maintenance recommendations should be followed in order to correct any minor problems before they become costly repairs.

If you need to store the sweeper for any extended period of time it is recommended that you store it inside an enclosed building. Always raise the hopper an inch or two. This will relieve the pressure against the fan and intake seals allowing them to regain their shape. Open the inspection and dump doors.

The sweeper is designed to withstand exposure to the elements. If inside storage is not an option, a canvas cover for the entire sweeper can be used to protect rust-prone components, such as the sweeper engine muffler and the throttle linkage. When storing the sweeper outside leave the inspection and dump doors closed.

C4. AUXILIARY ENGINE MAINTENANCE

Your Stewart-Amos Sweepers R-Series sweeper is equipped with a four-cylinder, water-cooled diesel engine. The information in this section is intended to be used in conjunction with your auxiliary engine Owner's Manual. Be sure to read it for specifics on maintenance schedules and procedures required for this unit.



C4a. Maintaining the Kubota Fuel Filter

The fuel filter on the Kubota V3307 is located in-line between the fuel pump and the injector pump at the back of the engine cylinder head. The fuel filter is located on the passenger side of the auxiliary engine. **When filter replacement is needed** follow the instructions listed below:

1. Before unscrewing the fuel filter, make sure the sweeper engine key is in the 'OFF' position. If the key is in the 'ON' position the electric fuel pump will be supplying fuel to the filter as you attempt to remove it.
2. Once the key is in the 'OFF' position, unscrew the filter from the filter head.
3. Remove filter from the bottom; dispose of it properly. Fill the new filter with clean fuel before installing. Reverse the process, inserting the new filter from the bottom, tighten hand tight only.
4. The fuel filter head's bleeder valve should then be loosened so that air may be removed from the filter. The bleeder valve is located on the main injection pump of the auxiliary engine. While bleeding the fuel system the sweeper engine key should be 'ON'.
5. Prior to restarting the engine, use the primer pump mounted on the side of the main injection pump. Pump for approximately 4 minutes. This will remove any air left in the filter and lines to the injection pump.
6. Re-tighten the bleeder valve. The auxiliary engine is now ready to be started.

C4b. Auxiliary Engine Remove and Replace

The sweeper's auxiliary engine is built to provide years of service when maintained properly. Following the maintenance guidelines and schedules will prolong the performance; however, it is still subject to wear. At some point in time, the auxiliary engine may require removal so that it may be serviced or replaced. Use the following guidelines for this procedure:

1. Remove the sweeper engine battery cable to prevent the engine from being accidentally started.
2. Tilt the cab forward to gain additional working area.
3. Remove the belt guard.
4. At this point, you are ready to disconnect the wires that prevent the removal of the engine from the mounting skid. Before disconnecting any of the wires, wrap a piece of masking tape on each wire. As you disconnect them, label each wire with a marker in the order that you disconnect them. This will simplify the re-connection process upon reassembly.
5. Unplug the engine harness and disconnect the starter cables.
6. Make sure that all the disconnected wires are tied or secured in order to prevent any of them catching as the engine is removed.
7. Disconnect the throttle cable and make sure it is clear from the engine.

8. Disconnect the fuel line. Bend the end back upon itself and tie it with wire or tie-wrap to prevent fuel from leaking.
9. Remove the two front engine leg mounting bolts that hold the front leg to the power module.
10. Remove the two, rear engine leg mounting bolts that hold the rear leg to the power module.
11. Use the jackscrews to push the engine toward the center of the truck, loosening the drive belt. DO NOT pry against the oil pan as it will crack the pan and void the warranty.
12. Remove the outside sets of jackscrew jam nuts and jackscrew nuts.
13. Remove the jackscrew nuts and threaded rods from the side of the engine legs.
14. Remove the fan drive belt from the engine pulley.
15. Disconnect the hydraulic hose from the engine-mounted pump. Secure the hoses so that the hydraulic fluid does not drain out.
16. If the sweeper is equipped with a tachometer or other devices, disconnect them from the engine at this point.
17. Use a hoist to slowly lift the engine out and away from the sweeper.
18. Transfer the engine legs and brackets to the replacement auxiliary engine.
19. To insert the replacement auxiliary engine, follow the steps 1 through 16 in reverse order.
20. Once you have finished with these steps, follow the procedures outline in 'DRIVE BELT ADJUSTMENT'.

C4c. Auxiliary Engine Stub Shaft Remove and Replace



It is rare to have a stub shaft fail; however, as with any component, it may need to be replaced at some point. Some of the causes are:

- An over-tightened drive belt creating too much side load
- warping or grooving of the stub shaft caused by a failed bearing
- cracking or warping of the stub shaft caused by torque created by the sudden stop of the fan's drive train.

To replace the stub shaft follow the instructions below:

1. Turn off the sweeper power switch and/or disconnect the battery cable to prevent the sweeper engine from being started by accident.
2. Loosen, but DO NOT remove, the engine leg mounting bolts and nuts that hold the auxiliary engine legs to the engine skid.
3. Turn the jackscrew nuts so the engine is pushed toward the fan shaft.
4. The drive belt will become loose enough to be slipped from its pulleys as the engine skid moves towards the fan shaft.
5. Remove the 3/8" bolts and lock washers from the stub shaft pulley bushing.
6. Insert two of the 3/8" bolts into the two tapped holes of the stub shaft pulley bushing.
7. Tighten the bolts evenly by alternating from one to the other until both are tight. This procedure will push the pulley off the stub shaft pulley bushing.

8. Remove the pulley and its bushing from the stub shaft.
9. Remove the bearing plate from the end of the auxiliary engine. Look for any irregularities in the bearing plate. If you do not find any, you may use the bearing plate again.
10. Remove the old stub shaft from the end of the auxiliary engine.
11. Clean the flywheel and the replacement stub shaft using lacquer thinner.
12. Fasten the replacement stub shaft to the auxiliary engine using 32 ft. lbs. of torque on each bolt.
13. Use a dial indicator to ensure that the stub shaft is in line with the crankshaft. The stub shaft cannot be more than .007" off-center or it must be replaced.
14. Put the replacement bearing onto the end of the stub shaft. Use a piece of pipe, placed over the stub shaft's end, to drive the bearing down the stub shaft until it rests against the seat.
15. Slip the bearing plate down the stub shaft and onto the bearing.
16. Bolt the bearing plate to the auxiliary engine.
17. Slide the stub shaft pulley and its taper-lock bushing onto the end of the stub shaft.
18. Insert the bolts, through the taper-lock-bushing flange, into the pulley. To make sure the pulley is pulled onto the bushing evenly, alternate turning the three bolts.
19. Check the alignment of the pulley. To do this, use a string or straight edge from the face of one pulley to the face of the other. The pulleys should be in-line with each other. If this is not the case, back the stub shaft pulley off its bushing, move both in the proper direction for alignment, and then retighten the bushing/pulley bolts.
20. Inspect the drive belt for wear and replace it with a new one if needed.
21. Slide the drive belt onto the stub shaft and fan shaft pulleys.
22. Adjust the drive belt tension as outlined in the 'DRIVE BELT TENSION ADJUSTMENT' section.
23. Replace the belt guard.

C5. BOLT CHECK MAINTENANCE

All the mounting bolts on the sweeper, especially those on the engine and the fan housing, need to be inspected periodically. Due to the vibration of the sweeper's engine bolts can loosen or shear off. If any of the bolts are worn into the shoulder, replace them with a grade five (minimum) bolt of the same size. The following is a list of bolts that should be checked regularly:

Fan Housing and Engine Bolts

- Fan housing mount
- Motor mounts to the engine skid
- Sweeper engine to the engine legs
- Bearing mount

Other Mounting Bolts

- Curb broom mounts
- Water pump
- Hydraulic pump
- Hydraulic reservoir
- Sweeping hood drag arms

C6. CURB BROOM MAINTENANCE

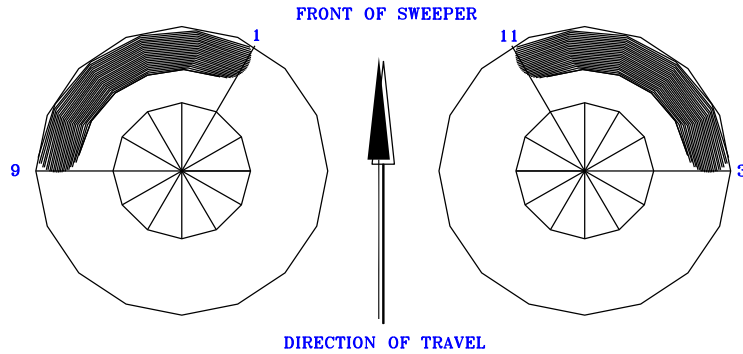


For the curb broom hydraulic system, follow the procedures outlined for the curb broom in the 'Periodic Maintenance Schedules' and in 'Sweeper Fluid Maintenance' sections.

C6a. Curb Broom Disc Adjustment

The curb broom is designed to be full floating. This means it will give way and 'float up' when it runs up against an obstruction. It will also automatically 'float' down to keep the broom in contact with the sweeping surface as the broom bristles wear. Two adjustments can be made to improve the sweeping efficiency on irregular surfaces such as deep gutters.

Adjusting the boom disc should be done while the head is spinning and the bristles are touching the sweeping surface. This bristle-to-ground contact is called the 'curb broom pattern'. The two adjustments allow the operator to control which part, and how much, of the broom touches the sweeping surface. A general guideline for setting the curb broom pattern is to obtain a 9:00 to 1:00 bristle-to-ground contact on the left curb broom, and an 11:00 to 3:00 bristle-to-ground contact on the right curb broom. These patterns will efficiently remove material from the gutter and 'throw' it under the sweeper's sweeping hood.



The side-to-side tilt of the broom disc can also be adjusted so as to fit the ‘pitch’ of the sweeping surface. This is done by an electric actuator, which is operated by the broom tilt switch located on the control panel located in the cab. The actuator may be extended or retracted, which in turn changes the broom disc tilt.

The front-to-back angle of the broom disc is controlled by a turnbuckle that runs between the broom linkage mounting bracket and the top of the broom motor mount.

This must be adjusted by hand. Loosen the jam nut on the turnbuckle that keeps it from self-adjusting, and insert a large screwdriver or wrench into the center to use as leverage. Turning the center shortening the turnbuckle which lowers the nose of the broom disc. Lengthening the turnbuckle raises the nose. When you have finished the adjustment, run the jam nut back tight against the turnbuckle so that it will not self-adjust during broom operation.

C6b. Curb Broom Down Pressure Adjustment



Using the turnbuckle on the left of the above picture, the down pressure of the curb broom can be increased by lengthening the turnbuckle or decreased by shortening the turnbuckle.

C6c. Bristle Replacement

1. To disassemble the curb broom, locate and loosen the four bolts on the top of the broom head. This will free the broom bristle segments.
2. To replace the curb broom, position the new broom bristle segments, line up the bolt holes and tighten the four bolts that hold each segment in place.



C6d. Directional Valve Check

Hydraulic fluid flow is used to control the various functions of the curb broom such as raising, lowering, retract, extend and broom disc rotation. It is the job of the directional valves to determine the flow direction. If the directional valve is not operating correctly and is unable to reverse the hydraulic flow, the curb broom cannot operate properly.

This hydraulic system uses a series/parallel manifold. Which mean that the cylinder functions are on the left side of the manifold and work in parallel with each other. The motor functions are on the right side and in series with each other. Between the two distinctly different sections of the manifold there is a dump valve. This dump valve is located in the third valve position from the right and the 6 valve position from the left. If any function is activated it must also activate one side or the other side of this dump valve. This allows the sweeper to sweep with one curb broom or the other or both.

Manual Override Checks

Any function in this hydraulic system can be overridden manually. Because this system is a series/parallel system there are 2 valves that need to be overridden for any one function to operate. Each function on the valve electrical harness is clearly labeled with the function description. When overriding a cylinder function DUMP VALVE #1 also needs to be overridden at the same time and if it is a motor circuit that is being overridden then DUMP VALVE #2 also needs to be overridden at the same time.

At the center of each coil on the directional valves is a small brass button (as shown in the picture below). By pushing these buttons with a small screw driver, with the engine running, each function can be overridden.



CAUTION: When overriding any function, make sure you or any bystanders are clear of the equipment being overridden.

C6e. Hydraulic System Servicing

CHECK THE HYDRAULIC OIL DAILY AND LOOK FOR LEAKS IN HYDRAULIC HOSES AND FITTINGS!

If a leak is detected, repair it immediately to avoid hydraulic fluid leakage or dirt entering the system. This is a maintenance priority as the hydraulic system is vital to the daily operation of your sweeper. The level should be maintained at the 80% mark on the sight gauge, which is located on the front of the reservoir.

Follow the instructions under 'SWEEPER FLUID MAINTENANCE' for proper oil recommendation and change schedule. Also, follow the filter instructions under 'FILTERS MAINTENANCE.'

Leak Check

1. Check the hoses and fittings regularly for any signs of leakage. Most leaks will not cause immediate failure; however, once a leak has begun it will get worse. Repair all leaks as soon as they are discovered. First, try to tighten the fitting responsible for the leak. If this does not correct the problem, follow the instructions below.

Repair

1. Disconnect the leaking fitting.
2. Clean the seating surfaces.
3. If necessary, a sealing agent can be used on the non-JIC fittings. Use a sealing agent only on the upper threads of the non-JIC fittings to prevent contaminating the hydraulic fluid. The control valve orifices are so small that even minute pieces of debris can block them causing hydraulic problems.
4. Retighten the fitting.
5. Refill the hydraulic system with fluid as needed.

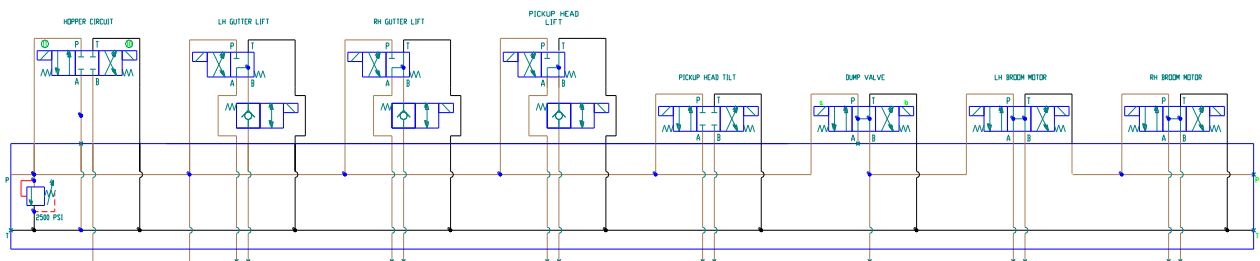


CAUTION: Do not use sealing agents on JIC or SAE fittings. On SAE fittings, always use hydraulic oil.

Directional Valve Configuration

(From left to right)

1. Position #1 is hopper raise/lower
2. Position #2 is left hand curb broom raise/lower
3. Position #3 is right hand curb broom raise/lower



4. Position #4 is pickup head raise/lower
5. Position #5 is pickup tilt up/down
6. Position #6 is the dump valve
7. Position #7 is left hand curb broom fwd./rev.
8. Position #8 is right hand curb broom fwd./rev.

C6f. Hydraulic Pump Pressure Check

Whenever the hydraulic cylinders and hydraulic motors will not function properly, there could be a problem with the hydraulic pump pressure. To check this problem, follow the instructions below:

1. Before making adjustments, check the electric and hydraulic system for any loose connections. The electrical connection to each solenoid is opaque. This is for diagnostic purposes. When a function is activated on the control panel the connector on the corresponding valve solenoid will light (red). This will determine if the problem is an electrical issue (connector is not lit) or a hydraulic issue (if connector is lit).
2. Check the hydraulic fittings and hoses for leaks.
3. Check the fluid for contamination and proper fill level.

DO NOT increase the pump pressure to compensate for leaking hoses, loose fittings, contaminated fluid or a clogged filter, as this can cause damage to the pump and other sweeper components. Once you have made all possible hydraulic checks and you still believe there is a problem causing low fluid pressure from the pump, the pump's fluid pressure may be verified with help from another person. Follow the instructions below:



Pressure Test Gauge

Verify Hydraulic Pump Fluid Pressure

1. On each sweeper there is a 0-5000 psi pressure gauge attached directly to the pressure port on the manifold. Just below the pressure gauge is a small hand valve. This hand valve protects the gauge when it is not required. Open the hand valve 1 full turn for activating the gauge. Once the valve is opened with the engine off the gauge should read 0 psi. If the gauge is reading any pressure then the gauge must be replaced to get an accurate reading.
2. Start the auxiliary engine and throttle up to approximately 2100 RPM.
3. Have the second person hold the sweeping hood in the 'raise' position and continue to hold the switch in this position even after the sweeping hood is fully raised.
4. Check the pressure gauge. It should read 2300 - 2500 psi while the switch is being held in the 'raise,' position.
5. If the pressure gauge readings are not within this range you may need to adjust the pressure relief valve.



Pressure Relief Valve

System Pressure Relief Valve Adjustment

1. Locate the relief valve. It is screwed into the top of the manifold block.
2. Loosen the relief valve stem's jam nut. Screw the relief valve stem in (clockwise) to increase the fluid pressure, or out (counter clockwise) to decrease pressure.

Do not turn the adjustment stem more than 1/8 of a complete revolution at a time.

Do not exceed the 2500 psi maximum pressure at 2100 rpm. Excessive pressure will damage components.

3. Once the pressure has been set to the correct reading turn off the auxiliary engine and close the hand valve below the pressure gauge.

C7. Drive Train Maintenance

Follow the instructions in this section for replacement and servicing of the major components of the fan's belt drive and components.

C7a. Drive Belt Tension Adjustment

During the sweeper's break-in period the drive belt will stretch noticeably. To prevent premature belt wear and maintain performance, it must be adjusted. After the first adjustment you will need to periodically check the drive belt for proper tension and to compensate for belt stretch. When the drive belt is properly adjusted, it should deflect downward approximately 1/2-inch at the midpoint between the two pulleys.

Before making this adjustment it is important to understand how the auxiliary engine is mounted, since the tension on the sweeper's drive belt is adjusted by repositioning the auxiliary engine.

The auxiliary engine is fastened to an engine cradle, which is mounted to the power module. To reposition the engine the nuts and bolts, which hold the auxiliary engine cradle to the power module, must be loosened. The engine cradle is attached to the power module by four bolts. In addition, two jackscrews, used for loosening and tightening the drive belt, are located on the left side of the engine.

The jackscrews are held in place by a set of jam nuts, as well as nuts located on each side of the engine skid wall through which they pass. When the inside set of nuts is loosened and then the outside set tightened, the auxiliary engine is repositioned away from the fan shaft. When the outside set of nuts is loosened, and then the inside set tightened, the auxiliary engine is repositioned toward the fan shaft.

Adjustment

1. Turn off the sweeper power switch and/or disconnect the battery cable to prevent the engine from starting accidentally.
2. Before beginning this procedure, mark the engine's position with chalk or a grease pencil. Mark where both front and rear is located on the power module. This is your starting point. Next, measure back 1/4-inch from the first mark and make another mark, which is to indicate the amount of adjustment needed. By marking both the front and rear locations you will ensure that the adjustment is done evenly. The 1/4-inch adjusting mark is only a guideline. Always adjust the drive belt tension to the correct deflection specifications.
3. Loosen (DO NOT REMOVE) the engine leg mounting nuts and bolts that hold the auxiliary engine legs to the engine skid. Also, loosen the 9/16" nut located between the mounting bolts on both the front and the rear.
4. Loosen the inside set of jackscrew nuts and tighten both outer sets. Alternate from front-to-rear until the engine is to the adjustment mark.
5. Check the drive belt's tension. The belt should be adjusted so that it deflects 1/2-inch at the midway point between the pulleys. If the belt is too loose, repeat step 4. Do not over tighten the belt.

6. Check the alignment of the pulleys with a straight edge or, alternatively, a string placed across the front faces of the pulleys. If they are misaligned, the jackscrews may be used to manipulate the auxiliary engine's position relative to the fan shaft and bring the pulleys into correct alignment. However, if this is done then steps 4 and 5 must be repeated.

NOTE: If pulleys are misaligned, it will cause the belt to wear unevenly and reduce performance.

7. Tighten the inside set of jackscrew nuts.

8. Retighten the four engine mounting bolts and the two slide-bar retaining nuts.

9. Reconnect the battery cable and/or insert keys.

10. Start the sweeper engine. Squealing or unusual vibrations indicate low drive belt tension. Adjust as needed.

C7b. Drive Belt Replacement

Drive belts become worn with normal use. We recommend that you replace the drive belt when it shows signs of wear. If you wait until it breaks, it will probably occur at a time that will create sweeper downtime. Replacing it before it breaks also assures optimum sweeper performance.

To replace the drive belt the sweeper engine will need to be repositioned. Review the 'DRIVE BELT TENSION ADJUSTMENT' section before you continue, as it will explain the mountings.

Also, before you begin this process, inspect the belt pulley for any excessive wear, nicks, or burrs. If any irregularities are found, you will need to replace the pulleys.

Removal Instructions

1. Turn off the sweeper power switch and/or disconnect the battery cable to prevent the sweeper engine from starting accidentally.

2. Loosen (DO NOT REMOVE) the mounting nuts and bolts on the sweeper engine that hold the cradle to the power module and the slide bar retaining nuts.

3. Loosen both sets of the outer jackscrew nuts, front and rear.

4. Slide the engine toward the center of the truck. If a pry bar is needed, DO NOT PRY AGAINST THE OIL PAN. This may cause permanent oil leaks and will void your warranty.

5. Slip the drive belt off the engine and fan shaft pulleys.

Replacement Instructions

1. Check the pulley grooves for burrs or any other irregularities that may cause abnormal belt wear. Correct if needed.
2. Position the replacement drive belt on its engine and fan shaft pulleys.
3. Loosen the inside set of jackscrew nuts and tighten both outer sets. Alternate from front to rear until the engine has been repositioned away from the center of the truck and the belt is reasonably tight.
4. Check the drive belt tension. Adjust the belt so that it deflects 1/2-inch at the midway point between the pulleys. DO NOT OVERTIGHTEN THE BELT. If the belt is too loose, repeat step 3.
5. Check the alignment of the pulleys with a straight edge or string. Place it across the front faces of the pulley. If the pulleys are not in line, the jackscrews may be used to manipulate the auxiliary engine's position relative to the fan shaft, which should bring the pulleys into line. Then, repeat steps 6 and 7. Misalignment will cause the belt to wear unevenly and reduce performance.
6. Once you have made the proper adjustments, tighten the inner set of jackscrew nuts, front to rear.
7. Tighten the engine leg's mounting nuts and bolts and the slide-bar retaining nuts.
8. Reconnect the battery cable and start the sweeper engine. If you hear any squealing or feel abnormal vibrations, this means the drive belt tension is too low. Adjust, if needed, by repeating from step 6.

C8. Fan Housing Maintenance

The fan housing directs the flow of air from the fan to the sweeping hood. To provide maximum performance it should be checked for wear on a regular basis.

C8a. Fan Housing Inspection

A small amount of fine dust is pulled into the fan chamber when air is drawn from the hopper into the fan housing. This fine dust wears the fan blades, fan housing liner and the heads of the fan housing liner bolts. Over time, this sandblasting effect of fine dust will eventually wear out the components and they will need to be replaced.

A worn fan blade can break and damage the inside of the fan housing, which is both dangerous and costly. Worn liner bolts may allow the fan housing liner to sag, causing damage to the fan as well as to its shafts and bearings.

Also, a worn liner permits the sandblasting effect of the air stream to reach the walls of the fan housing, which is an expensive item to replace.

Inspection Procedure:

1. Raise the hopper and place the safety chocks on each of the dump cylinders.
2. Turn off the sweeper power switch and disconnect the battery cable to prevent it from accidentally starting.
3. Remove the back plate.
4. Use a flashlight to inspect the fan blades, fan bushing, the fan housing liner bolts and the fan housing liner.
5. If no abnormal or excess wear is evident, replace the back plate.
6. Remove the safety chocks and reconnect the battery cables.

C8b. Fan Replacement

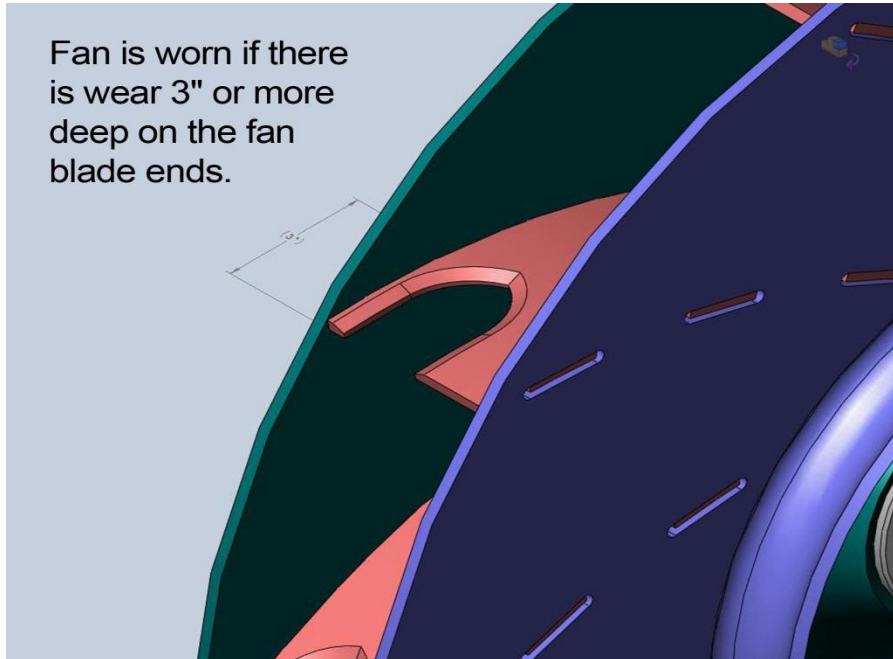
Any time a worn fan is causing reduced sweeping efficiency, you should replace it immediately. The fan shaft bearings have roughly the same life expectancy and should be replaced at the same time. This is a labor-intensive operation and it is recommended that you replace both components at the same time in order to save time and money from downtime. There are two exceptions to this rule:

1. If you do not use the sweeper's water system or you sweep in extremely sandy conditions, you will have to replace fan more often than bearings.
2. If the proper bearing lubrication procedures have not been followed, you may have to replace the bearing more than the fan. However, in most cases, it is recommended that the fan and bearings be replaced at the same time.

Fan Replacement Disassembly

See the representation below for fan wear description.

1. Raise the hopper and place the safety chocks on each of the dump cylinders.
2. Turn off the sweeper's power switch and disconnect the battery cable to prevent the engine from accidentally starting.



3. Remove the 3/8" lock nuts and washers from around the back cover plate and lift it off.
4. Remove the 3/8" bolts and lock washers from the fan's bushing.
5. Reinsert two 3/8" bolts into the tapped holes of the bushing. Tighten these bolts evenly. This procedure will push the fan off the bushing.
6. Use a gear puller to remove the bushing from the fan shaft.
7. Remove the fan from the fan shaft and fan housing.
8. Once you have the fan out, check the rubber liner inside the fan housing. If you notice excessive wear, replace the liner. Failure to replace this inexpensive liner could result in having to replace the expensive fan housing prematurely. For instructions on this procedure see 'FAN HOUSING LINER REPLACEMENT'.

Replacing the Fan

1. Inspect the end of the fan shaft for damage. Remove any burrs or rust from the shaft end with sandpaper.
2. Place the fan on the fan shaft and push it back into the fan housing.
3. Inspect the bushing for cracks or any other damage. The original bushing may be reused.

4. Apply an anti-seize agent to the tapered area of the bushing.
5. Slip the key into the bushing/fan shaft keyway.
6. Position the fan bushing onto the fan shaft while aligning it with the shaft key as well as the fan. If necessary, spread the bushing apart; however keep in mind that it will crack if it is overspread.
7. Drive the fan bushing onto the fan shaft until approximately 1/4-inch of the shaft extends from the face of the bushing. You may need to use a rubber hammer (or wooden block with metal hammer) to drive the bushing on.
8. Insert the three 3/8" bolts, with lock washers, through the untapped bushing holes and into the tapped holes of the fan. Finger-tighten the bolts. **DO NOT** tighten the bolts so as to secure the fan to the shaft.
9. Apply strip caulk, or a similar sealing agent, to the face of the fan housing.
10. Install the back cover plate. It may be necessary to move the fan and its bushing further into the fan housing before the back cover plate can be mounted. Before you tighten the bolts, pull the fan back until it touches the back cover plate's inlet ring. Using the available slack, center the cover plate's inlet ring in the fan's orifice. Feel around the perimeter of the inlet ring to make sure the gap is even.
11. Tighten the cover plate bolts.
12. Move the fan back onto the fan shaft. An ideal gap distance is 1/4-inch from the cover plate orifice to the narrowest part of the fan's orifice. See the illustration below.
13. Position the fan onto the fan shaft. Keep in mind that as the fan is tightened onto its bushing, it will travel roughly 1/4-inch toward the cover plate's orifice.
14. While holding the fan shaft in position, tap the fan bushing along the fan shaft and into the fan's hub.
15. When the fan bushing is snug inside the fan's hub, insert the 3/8" bolts and tighten the fan onto the fan bushing. As the bolts are tightened and the fan drawn onto the bushing, the fan should move 1/4-inch toward the cover plate.
16. Turn the fan to determine if the two orifices rub as it rotates. If the orifices do not touch, proceed on to step 17. If the orifices do touch, mark the bushing's present location on the fan shaft to provide a reference point. Remove the fan from its bushing and follow steps 13-15 in order to remount the fan further into the fan housing.
17. Once the fan is properly mounted, remove the hopper safety chocks and lower the hopper.
18. Reconnect the battery cable.

19. Start the auxiliary engine and listen for sounds of contact between the cover plate orifice and the fan orifice. If none are heard the unit is now ready to sweep. If any such sounds are detected, raise the hopper and readjust the fan.

C8c. Fan Housing Liner Maintenance

To prevent damage due to air-blasts from the fan, a rubber liner is attached to the inside of the fan housing. Regularly check the liner for pitted areas, tears, holes or worn liner bolts. If the liner is worn, it will expose the fan housing to direct wear. When compared to replacing the fan housing liner, the fan housing is an expensive item to replace.

Fan Housing Liner Replacement

1. Follow steps 1–7 under 'FAN REPLACEMENT DISASSEMBLY.'
2. Unscrew the 3/8" nuts from around the outside of the fan housing and remove the elevator bolts holding the rubber liner in place. Inspect the condition of the fan housing liner bolts. Any worn bolts should be replaced with new ones upon reinstallation.
3. Remove the worn liner in one piece, if possible. Save it to use as a template to mark the new liner's hole pattern.
4. Place the old liner on top of the replacement liner material and mark the length and hole pattern with spray paint.
5. Cut the liner material to length and use a drill to make the holes.
6. The replacement liner hole pattern is different at each end. Be sure to position the liner so that its holes match the hole pattern of the fan housing.
7. Start by installing the elevator bolts, which hold the rubber liner to the top of the fan housing. Continue installing the remainder of the elevator bolts, working out and down from the top of the fan housing.
8. Check the fan blades for wear and replace them if needed. To replace the fan, follow steps 1 through 19 of 'FAN REPLACEMENT.'

C8d. Fan Shaft Bearing Maintenance

If the bearing is requiring replacement frequently, review and adhere to the bearing lubrication section in this manual. When the bearing fails, it is accompanied by abnormal noise(s), vibration and/or grease slinging caused by ruptured bearing seals. If this happens, the worn bearings need to be replaced immediately to prevent damage to other sweeping components. Normally, when replacing the bearing the fan shaft and accompanying drive belts, pulleys and, bushings should also be replaced. Replacing them all at once saves repetitive maintenance and downtime.

On new sweepers, or sweepers that have been exceptionally maintained, only the bearing insert may need to be replaced. However, needing to replace only the bearing inserts is rare. If the bearing casings are not damaged and can be slid off the fan shaft, then the bearing inserts can be replaced. This procedure can only be performed if the fan shaft is free from paint, rust and burrs, or when it has not been otherwise damaged.

Fan Shaft Bearing Lubrication

The two pre-lubricated bearings on the fan shaft should be re-lubricated after 250 hours of operation. Check the sweeper engine's hour meter and lubrication chart to determine when this maintenance is due to be done. Use only lithium-based grease, one conforming to NLGI Number 2 consistency. The grease must be free from any chemical impurities such as free acid and free alkali. It must also be free from physical impurities such as metal, rust, dust, and other abrasive particles. This light-viscosity, low-torque grease is used because of its water-insoluble rust inhibitors and its operating temperature range that makes it chemically and mechanically stable. Its normal operating temperature range of -30 degrees to +250 degrees Fahrenheit is ideal for sweeper operations.

1. Prior to lubrication, run the auxiliary engine to heat up the old grease. Once the bearing grease has warmed, turn the auxiliary engine off and remove the keys.
2. Using a hand-operated grease gun, very slowly apply one pump of grease to the bearing (a small bead should form around the bearing seal when running). This should be about 1/4 ounce of grease. The bead indicates that adequate lubrication has been applied, as well as provides a protective seal against foreign material entering the bearing.

There is generally a slight rise in operating temperature (10-30 degrees Fahrenheit) after the bearing has been re-lubricated. This rise will continue until the grease stabilizes in the bearing chamber. **Never use more than one pump of grease, or grease the bearings more often than every 250 hours of operation.** Over-greasing the bearing will shorten its life through causing the bearing to overheat and fail.

Fan Shaft Bearing Disassembly

1. Raise the hopper and place the safety chocks over the dump cylinders.
2. Remove the sweeper engine battery cable to prevent the engine from accidentally starting.
3. Remove the 3/8" nuts and flat washers from around the fan housing's back plate.
4. Lift the back plate off the fan housing studs.

At this point, two options exist. These are to either remove the fan wheel separately, or to remove it as a unit with the fan shaft. If you choose to remove the fan wheel separately, follow steps 5-9. To remove it with the fan shaft, skip to step 10.

5. Remove the three 3/8" bolts and lock washers from the fan bushing.
6. Insert two of the 3/8" bolts into the tapped holes of the fan bushing.
7. Tighten the bolts by alternating from one to the other. This procedure will push the fan off the fan bushing.
8. Using a gear puller, remove the fan bushing from the fan shaft. The fan shaft key will come off with the bushing.
9. Slide the fan off the fan shaft.
10. Relieve the drive belt tension by following the steps detailed in the removal section of 'DRIVE BELT REPLACEMENT.'
11. Remove the drive belt from the fan shaft pulley and then remove the fan drive pulley from the fan shaft.
12. Remove the two 5/8" bolts from each of the fan shaft bearings.
13. If you are removing the fan wheel with the shaft as an assembly, remove the four fan back plate nuts. Next, remove the fan wheel and the shaft assembly from the fan housing as a unit. If you are removing the fan wheel separately, skip this step.
14. Pull the fan shaft assembly from the power module's shelf. This consists of the fan shaft and the two fan shaft bearings.
15. Wrap the middle of the shaft in a cloth and insert the protected portion in a vise. Using 80-grit sandpaper, use the 'shoeshine' technique to buff any surface irregularities off the parts of the fan shaft over which you will be sliding the old bearings. When you have finished, remove the shaft from the vise.

16. Loosen the lock collars from the fan shaft bearings (older models have setscrews) and slide the fan shaft bearings from the fan shaft. If difficulty driving the bearing from the shaft is encountered, place a soft object (such as a brass bar or pipe) against the inner race. Do not hammer directly on the bearing.
17. If you are replacing the bearing inserts only, skip to that section.
18. Inspect the fan shaft and the fan shaft pulley. If either one is damaged or worn too much for reuse, discard and replace.

Replacement of Fan Shaft and Fan Shaft Pulley

1. Prior to replacing the fan shaft, inspect it for burrs, nicks and rust. If any are found they must be removed. To do this, wrap the middle of the shaft in a cloth and insert the protected part in a vise. Use 80-grit sandpaper to buff off any surface irregularities. Buff using a 'shoeshine' manner. When you have completed this, remove the shaft from the vise.
2. If the old fan shaft and fan shaft drive pulley will not be reused, slide the new fan shaft drive pulley, along with its bushing, onto the fan shaft. Spread the bushing apart if needed. Do not over spread the bushing, as it will crack. If the old fan shaft and fan shaft drive pulley are being reused, some repositioning of the pulley may be required when it is reinstalled. Back the pulley off its bushing to loosen it on the shaft for later repositioning.
3. Loosen the lock collars on the replacement fan shaft bearings.
4. Slip the fan shaft bearings onto the fan shaft. If the bearings do not slip on easily, do not hammer the ends of the inner race. The inner races are soft and will damage easily. If force is needed to position the bearing on the fan shaft, use a brass bar or pipe against the inner race to drive the fan shaft bearing into place.
5. Position each fan shaft bearing on top of the power module's shelf and align it with the mounting holes.
6. Place the two 5/8" bolts, flat washers and lock washers into each bearing. Tighten them down to the power module's shelf.
7. Position the fan shaft in the bearings so that 5" of the shaft extends into the fan housing.
8. Apply a drop of 'Loctite,' or equivalent, to the bearing lock collar screw and tighten it.
9. Position the fan shaft drive pulley's bushing such that when the fan shaft drive pulley is tightened onto it, the pulley is drawn into alignment with the drive pulley of the engine.
10. Insert the fan shaft drive pulley bushing's 3/8" bolts, with lock washers, through the untapped holes of the bushing. Screw them into the fan shaft drive pulley.

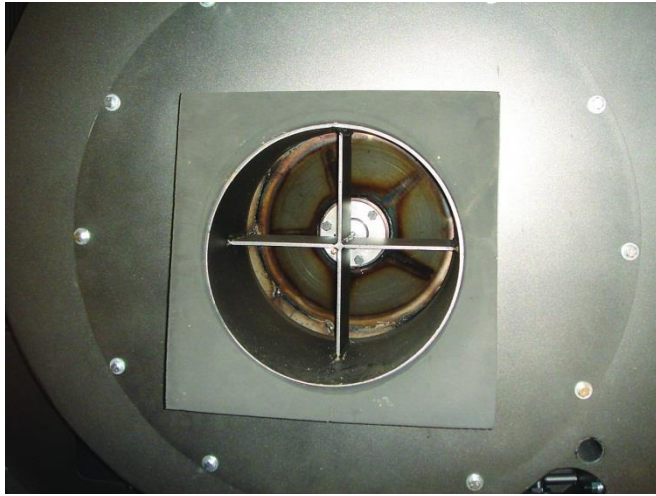
11. Inspect the fan for wear and replace it with a new one, if needed.
12. Follow the steps outlined in the 'FAN REPLACEMENT' section of this Manual if the fan wheel was removed separately.
13. Adjust the drive belt tension as outlined in the 'DRIVE BELT TENSION ADJUSTMENT' section of this Manual.
14. Remove the dump cylinder safety chocks.
15. Reconnect the engine's battery cable. Lower the hopper and resume operation with the sweeper.

Bearing Insert Replacement

The fan shaft bearings have been designed to allow for easy insert replacement. Replacing the bearing insert is less expensive than replacing the complete bearing; however, this is not always possible. It can only be done if the bearing can be removed from the fan shaft without any damage to the bearing casing.

1. Follow the instructions under 'FAN SHAFT BEARING DISASSEMBLY,' steps 1 through 17.
2. Remove and save the grease fittings from the top of each bearing case.
3. Remove the locking pin from the pathway below the grease fitting and save this pin.
4. Remove the old insert by prying up one edge of the insert using a claw hammer. The insert will come out of the slots on the rear of the bearing casing. Discard the old inserts.
5. Align the insert recess with the grease-fitting hole of the bearing case.
6. The new insert should slip easily into the slotted rear of each bearing case.
7. The original locking pin will fit loosely into the grease pathway. **The original locking pin must be used, and the pin and insert dimple must be in the proper position before replacing the grease fitting!**
8. Reinstall the grease fitting at the top of the bearing case. 9. Follow steps 1–17 of the 'FAN SHAFT BEARING REPLACEMENT' section of this Manual.

C9. SEAL MAINTENANCE



Fan Seal and Suction Hose Intake Seal

Since the sweeper's pickup power is vacuum-dependent, maintaining a tight seal is extremely important. If this seal is not in the best condition possible, it can make a vital difference in the sweeper's ability to pick up debris. The sweeper's seals are located on the fan housing and suction inlet tubes. Lubricate the seals with a high quality grade of petroleum-based jelly or grease to keep them resilient.

The side inspection doors, dump doors and screen access door will not require lubrication.

To extend the life of the seals when the sweeper is parked for an extended period of time, leave the hopper raised a few inches so the fan and intake seals can regain and keep their shape.

Over time, the seals will eventually become worn or non-resilient. When this happens you will notice a loss of vacuum power. To preserve the sweeping efficiency you will need to replace these seals periodically.

To Replace the Seals:

1. Elevate the hopper completely and place the safety chocks on each of the dump cylinders.
2. Pull the seal off of the surface on which it has been mounted. Remove any of the glue particles or remaining seal with a putty knife, sandpaper or grinder.
3. Clean the surface with lacquer thinner or any suitable de-greasing agent.
4. Use a waterproof weather-stripping adhesive that will not dissolve the rubber and apply according to the manufacturer's directions. (3M brand adhesive #8001 works well for this)
5. Place the foam seal onto the mounting surface.

6. Make sure the glue dries before lowering the hopper onto the new seal(s). This is to prevent the seals from sliding away from the correct position.
7. Lubricate the new seal(s) with petroleum jelly or grease before using. Maintain lubrication throughout the life of the seal.

C10. SWEEPER ENGINE/FAN RPM CHECK

If the sweeper isn't picking up debris efficiently, the problem may be with the sweeper engine RPM. Every engine RPM is pre-set at the factory, altering the setting will void the engine's warranty. However, to determine if low RPM could be causing the problem, it should be measured to check for poor performance. The fan shaft's RPM should also be measured.

To check the RPM readings it may be necessary to remove the fan belt guard and fan shaft guard. **Be extremely careful while working around the drive belt(s).**

Make these measurements with a suitable tachometer and with the engine at full throttle. If the engine, at full throttle is running at significantly lower than 2800 rpm, check the cable between the throttle actuator and the throttle control shaft on the engine fuel injection pump. If the throttle cable is properly linked to the engine, and the sweeper engine RPM is still low, your engine must be taken to an authorized service center.

If the sweeper engine RPM is correct, but the fan RPM is low, a loose drive belt is indicated. Follow the instructions for tightening the main drive belt in the section 'DRIVE BELT ADJUSTMENT.'

The fan rpm should be approximately 1.35 times the engine rpm or 3750 rpm. Do not tamper with the governor, as this will void the engine warranty! If the RPM readings of both shafts, at full throttle, are close to the tabulated values, then the inefficient pickup is caused by something else. If this is the case, refer to the Troubleshooting section of this Manual.

C11. SWEEPER FLUID MAINTENANCE

C11a. Auxiliary Engine Cooling System

Refer to your auxiliary engine Owner's Manual for the care and maintenance of the cooling system.

C11b. Auxiliary Engine Oil

Refer to your auxiliary engine owner's manual for the manufacturer's suggested oil change schedule and type of oil to use. Use the auxiliary engine's oil drain hose to drain the auxiliary engine oil pan. The hose looks like a hydraulic hose and is located underneath the auxiliary engine. Unscrew and remove the JIC plug, located in the end of the hose, to drain the oil into a container. Be sure to dispose of the oil properly.

Note: For faster and more thorough drainage, you should warm the engine prior to changing oil.

C11c. Hydraulic System

Always maintain the hydraulic oil level at the full mark on the sight level gauge. This gauge is located on the side of the hydraulic reservoir. Change the hydraulic oil after the first 500 hours of operation, then every 2,000 hours thereafter. If the hydraulic oil becomes cloudy, it is an indication that water has contaminated the system and the fluid needs to be changed. Changing the fluid should only be done after you have determined the source of water contamination. **Do not operate the sweeper with contaminated hydraulic fluid.**

At the factory, the hydraulic system is filled with AW 46 hydraulic fluid. Whenever the hydraulic fluid is added to or changed, use this type or equivalent 20-weight (SAE) hydraulic oil.

Note: a system that operates with an ambient fluid temperature greater than 100 degrees Fahrenheit requires 30-weight (sae) hydraulic oil.

C12. SWEEPER FILTER MAINTENANCE



Hydraulic Return Filter



Bushing-Like Suction Filter



Fuel Filter



Dual Element Air Filter 1834

C12a. Auxiliary Engine Filters

The auxiliary engine has three filters: an oil filter, a fuel filter and a dual element air filter. At a minimum, all filters should be changed according the manufacturer's warranty recommendation. Stewart-Amos Sweeper Co. recommends that the oil filter be changed more often if the sweeper is operated under unusually dusty circumstances. The air filter has a built-in air indicator. This air restriction indicator is

usually placed on or near the auxiliary engine air filter canister. When the air filter becomes clogged and needs service, a window on the air restriction indicator changes color. Depending on the type of unit used, the color may change from clear to red, clear to yellow, or yellow to red.

For air filter change and servicing information, see the auxiliary engine's Owner's Manual.

NOTE: Change the air filter ONLY when the air restriction indicator's 'need to service' window has changed color. Air cleaner over-servicing can cause serious engine damage.

C12b. Hydraulic System Filters

The hydraulic tank, which supplies oil to the hydraulic system, has two filters: a suction filter and a return filter. These filters remove from the hydraulic oil any foreign particles that might cause damage to the hydraulic system parts. The suction filter is difficult to locate because the major portion of its body is hidden within the hydraulic tank. The only part that can be seen is the large, bushing-like head protruding from the suction line's tank flange that is positioned at the bottom of the hydraulic tank. The hydraulic tank must be drained before the suction line fittings can be removed. This filter should be replaced after the first 500 hours of operation and then every 2,000 miles thereafter.

To Change the Filter:

1. Locate the hydraulic tank drain hose.
2. Remove the plug.
3. Open the ball valve and drain the fluid into a proper receptacle.
4. Locate the two hydraulic filters.
5. Remove the fittings from the lower suction filter, and then unscrew the filter from the tank.
6. The old suction filter may be discarded and replaced or, depending on its condition, cleaned with an approved cleaning solvent.
7. When you replace the filter, use S-25 suction filters. Screw the suction filter back into its hydraulic tank flange and replace the hydraulic fittings that connect the suction hose to the suction filter.
8. Locate the upper return filter. Unscrew and lift basket filter out.
9. Replace with new filter and replace lid.
10. Refill the reservoir with fresh hydraulic oil at the breather cap to approximately 80% of the full mark on the sight gauge scale. AW46, or equivalent 20W hydraulic oil, should be used.

11. Check the hydraulic oil fluid level after operating the sweeper for a brief period, refilling the system if needed. Perform a thorough leak inspection of the hydraulic fittings on the filters and the curb broom system's hydraulic pump.

C13. SWEEPING HOOD MAINTENANCE

The sweeping hood has been designed to maximize debris pickup via a forced air and vacuum system. Without proper care and maintenance, the sweeping hood cannot provide the necessary and desired sweeping results. (Note: Photos show the Stewart-Amos optional, patent-pending, Vector hood.)

C13a. Sweeping Hood Tension Spring Adjustment

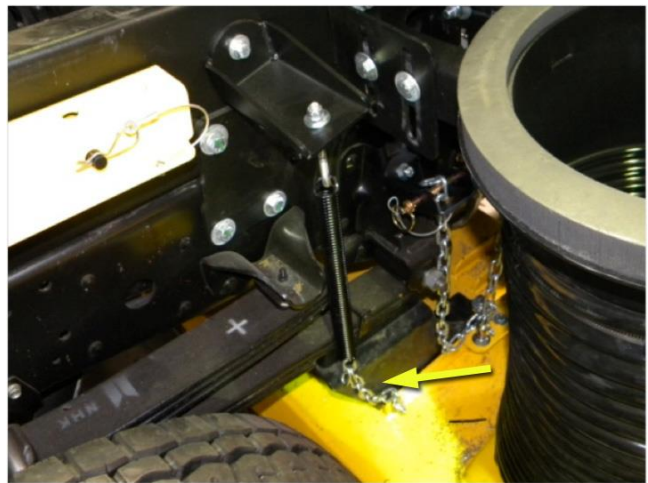
Near the four corners of the sweeping hood are the sweeping hood tension springs. These springs help the sweeping hood to 'float' by relieving some of its weight from the sweeping surface. When the springs are adjusted correctly, you should be able to grasp the front corner of the sweeping hood with your hand and move it slightly with roughly 40 pounds of upward lift. This is the normal setting; however, some operator preference varies. Less tension shortens runner life. More tension creates a possibility that the hood may bounce on irregular surfaces, breaking the suction seal.

Fine Adjustment

1. Locate the eyebolt that connects the head-spring to the frame.
2. Loosen or tighten the nut on the end of each eyebolt to raise or lower the head.

Coarse Adjustment

1. Raise the sweeping hood.



2. Unhook the chains from the springs or remove the 5/16" bolts that hold the spring chains to each side of the head.
3. Increase or decrease the number of chain links between the hood retainers and the ends of the hood springs, as needed.
4. If adjusting the hood spring tension does not correct the problem of excessive runner wear, the problem may be bent or uneven drag arms.

C13b. Worn Flaps

When new, the sweeping hood flaps will extend past the bottom of the skid plate. As you use the sweeper more they will hang straight down and loose contact with the ground. When this happens, it is time to replace the flaps.



CAUTION! Do not attempt to adjust the skid plates to extend the life of the flaps. The hood blast orifice must never be less than 1 ½ inches from the ground.

C13c. Replacing the Flaps

The sweeping hood is dependent upon forced air movement to provide maximum sweeping results. The flaps underneath the sweeping hood must maintain the air stream as it moves across the hood to the vacuum tube. The flaps may be allowed to wear until they hang straight down, and then should be replaced.

C13d. Sweeping Hood Removal

To remove the hood, remove the bolts holding the tension chains, hood cylinder chains and drag arms. Disconnect the water line. Then, loosen the hose clamps holding the 12-inch flex hoses to the hood. Lift the driver's side of the truck chassis with a floor jack and slide the hood out.

Turn the sweeping hood over. Place the hood on a work table or saw horses to make both the top and bottom sides accessible. Remove the knobs holding the front flap support channel. Remove the ¼" bolts and lock nuts that hold the front flap in place.

Discard the worn flap and install the new. The bolt heads should be on the air channel side of the hood, with the lock nuts on the top. Reinstall the support channel with the knobs. Slide the channel all the way to the front of the hood to allow the least amount of contact with the sweeping surface. Remove the ¼” bolts and lock nuts holding the center flap in place. Remove the worn flap and replace with the new.

Turn the hood back over, so the runners are down. Remove the lock nuts that hold the rear cartridge in place. Remove the adjuster knobs and remove the worn cartridge. Make sure the bolts in the slide bars move freely. Thread the adjuster knobs onto the new cartridge and slide the adjuster bolts into the slots on the hood.

The slide bolt should insert into the holes in the cartridge. Loosely thread the lock nuts onto the slide bolts. Adjust the cartridge so the flap just touches the sweeping surface. Tighten the lock nuts. Tighten the adjuster knobs.

C13e. Reinstalling the Sweeping Hood

Raise the driver’s side of the truck about three inches. Slide the sweeping hood under. Lower the truck. Reattach the drag arms, hood jump chain, and tension chains. (Reverse the removal instructions detailed in the previous section. Slide the 12-inch flex hose over the head tubes, and tighten the hose clamps.

C13f. Skid Plate Adjustment and Replacement

The skid plate on the sweeping hood has been designed for low maintenance and durability. The skid plates are exposed to extreme punishment due to the job they perform. Therefore, we have inserted tungsten carbide inserts in the runners to give them the longest life possible. You will need to replace the skid plate when its runner is worn through 80%.

Adjustment



CAUTION! Do not adjust the skid plates so far up that the hood’s blast orifice is less than 1 ½ inches from the ground.

Remember: Whenever skid plate adjustment is necessary, the blast orifice must remain 1½-to-2 ¼ inches from the ground. Less than 1 ½ inches, the air stream becomes choked down. More than 2 ¼ inches and the blast velocity of the air striking the ground is lost. Never adjust the skid plates so as to

extend the life of the flaps. When the flaps no longer maintain a good seal, they should be replaced. Adjusting the skid plates may affect the sweeping efficiency as a result of the change in blast orifice-to-ground distance.

To adjust:

1. Raise the sweeping hood and locate the skid plates on either side.
2. Loosen the 5/8" nuts on each of the sweeping hood skid plates.
3. Slide each skid plate up or down its slots to achieve the required blast orifice to sweeping surface distance.
4. Retighten the 5/8 nuts on each of the sweeping hood skid plates.
5. Lower the sweeping hood and make sure that the skids are riding flat on the ground.



Replacement

To remove or replace the skid plate, use the following instructions:

1. Locate the skid plates. There is one plate on each side of the sweeping hood. You will notice that bolts protrude through the skid plates. The skid plates are held in place against the hood by nuts and washers.
2. Raise the sweeping hood and remove the skid plate's nuts and washers. Set the nuts and washers aside for reuse.
3. Pull the old skid from the side of the sweeping hood and replace it with a new one.
4. Use the nuts and washers that you set aside and screw them down against the skid plate. Do not tighten them until the new skid plate is in the proper position. Once you have the skid plate in the desired position then tighten all the nuts and washers.

Seasonal Changes

The sweeping hood's orientation to the ground may be manipulated by using some creative skid plate adjustments designed to maximize performance in various seasonal conditions. By adjusting the leading ends of the skid plates up more than their trailing ends, the pickup hood can be set to minimize frontal area. This is often preferable during heavy cleanup periods, such as spring cleanup season time. Adjustment in this way provides a faster channel of air/debris mixture and less distance that the debris must move. Just as making the frontal area shorter increases heavy sweeping performance, making the frontal area higher increases sweeping performance in lighter debris. This adjustment may be

accomplish by performing the opposite of the above procedure, adjust the skid plates 'trailing ends up more than their leading ends. This is extremely helpful during the fall when leaves must be swept.

(Please note: These adjustments should only be made under extreme conditions. At all other times, the factory recommended adjustments will usually suffice. Prolonged usage with the above adjustments will require flap replacement when a re-adjustment to normal conditions is made.)

C14. Water system Maintenance

The standard water system consists of a gravity-feed water line, which connects to the sweeping hood and a Shur-Flo water pump for dust suppression for the hopper, curb broom and optional front spray bar. The water line to the sweeping hood needs only an occasional check beneath the sweeping hood to be sure that its outlet has not become clogged. The water strainer should be cleaned daily and the water nozzles checked for correct operation and cleaned as needed.

When freezing temperatures are expected, either drain the water reservoir and remove filter cap or add antifreeze to the water as per the antifreeze manufacturer's instructions.

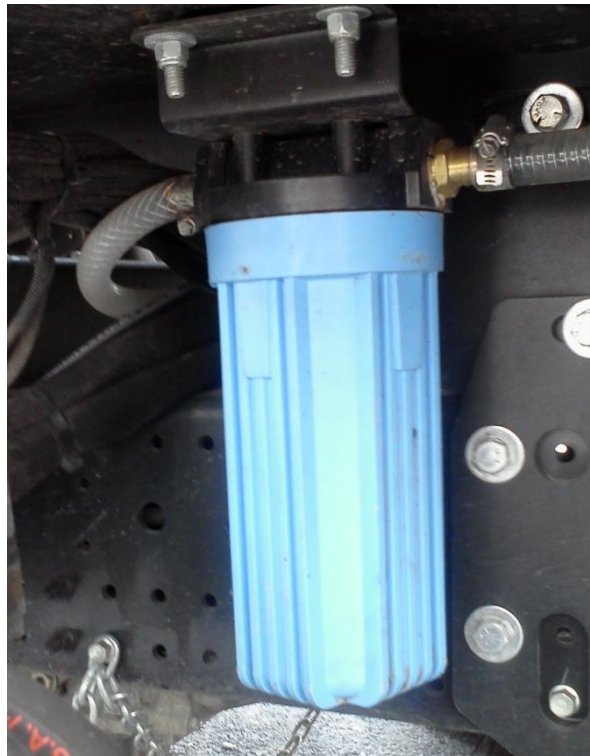
C14a. Water Pump

This sweeper is equipped with three Shur-Flo water pumps. Maintenance and troubleshooting procedures for the water pump are included in the Shur-Flo Pump Manual, which is included with the sweeper.



C14b. Water Filter Cleaning

The purpose of the water filter is to remove any particles from the water that might cause failure of the dust suppression systems spray nozzles. The plastic strainer is located beneath the left water reservoir, positioned in-line between the water reservoir and the water pump. The cap spins off easily for daily flushing. Approximately once a week the reservoir should be drained, the bottom of the strainer unscrewed, and the cylindrical screen within the strainer removed and cleaned. The frequency of this cleaning procedure will vary depending on the purity of the water from its fill source.



Cleaning

'Y' Strainer Disassembly

1. To drain, unscrew the bottom of the strainer. Remove and clean its screen.
2. Reassemble the strainer.

C14c. Water System Winterization

Whenever the dust suppression system is going to be used when the temperatures are expected to drop below freezing, environmentally-safe antifreeze should be added to the reservoir's water. Follow the antifreeze manufacturer's instructions for mixing. To drain the water from the reservoir, remove the

strainer bowl under the water reservoir. Once the reservoir has emptied, reinstall the strainer bowl. Run the Flow-Jet pump to clean out any remaining water in the lines.

VII. Troubleshooting

This section of the Manual has been designed to help identify and correct operational problems. We recommend you use the following guides as a starting point to solve any of the sweeping problems listed.

Each problem is listed with two columns under it. The first one is the 'Cause' column. These are the items most frequently found to occur when the problem listed is present. Across from the 'Cause' column is the 'Solution' column, which contains the steps you should take to correct the problem.

A. MISCELLANEOUS

1. UNUSUAL NOISE OR VIBRATION

CAUSE

1. Fan out of balance.
2. Fan shifted within housing.
3. Loose drive belt.
4. Loose bolts.
5. Worn bearing(s).
6. Loose shaft-bearing bolts.
7. Fan blades worn or broken.
8. Engine

SOLUTION

1. Clean debris, rebalance or replace fan.
2. Reposition fan.
3. Tighten drive belt.
4. Tighten bolts.
5. Replace bearing(s).
6. Tighten bolts.
7. Replace fan.
8. Locate, determine problem, and repair.

2. LOSS OF VACUUM POWER OR SWEEPER NOT PICKING UP

CAUSE

SOLUTION

- | | |
|---|--|
| 1. Hopper not fully down/dump door open. | 1. Lower hopper completely/lower dump door. |
| 2. Sweeping too fast. | 2. Slow down. |
| 3. Sweeping hood not fully lowered. | 3. Lower hood completely. |
| 4. Sweeping engine throttle position too low. | 4. Throttle sweeper engine up. |
| 5. Blocked screen. | 5. Remove blockage. |
| 6. Blocked intake valve. | 6. Remove blockage. |
| 7. Faulty seal (fan, intake or doors). | 7. Replace seal(s). |
| 8. Door blocked open. | 8. Open door, clean surfaces, re-close door. |
| 9. Torn hose(s). | 9. Replace hose(s). |
| 10. Worn flaps. | 10. Adjust side plates or replace flaps. |
| 11. Bent or uneven drag arms. | 11. Straighten or replace drag arm. |
| 12. Bent sweeping hood. | 12. Replace sweeping hood. |
| 13. Improper hood spring tension. | 13. Adjust hood spring tension. |
| 14. Head baffle broken off. | 14. Replace baffle. |
| 15. Holes in hopper or fan housing. | 15. Repair holes. |
| 16. Loose drive belt. | 16. Tighten belt. |
| 17. Worn fan. | 17. Replace fan. |
| 18. Low auxiliary engine RPM. | 18. Seek service. |
| 19. Fan housing/exhaust door bleeder set wrong. | 19. Adjust bleeder. |

Suggested Spare Parts List

All mechanical devices have parts that wear out over time. Stewart-Amos Sweeper Co. has designed your sweeper keeping both the availability and cost of parts as key concerns. Many replacement parts can be found at your local hardware store while others will have to be obtained from Stewart-Amos Sweeper Co. The time involved in obtaining parts and replacing them is referred to as 'down time'. Downtime is costly especially if your sweeper is inoperable for a number of days. To keep downtime at a minimum, we recommend that you maintain a small parts inventory at your location.

We suggest the following parts:

Part Description	Part Number	Suggested Quantity
Fan seal	9000	1
Intake seal	15109	1
Hopper intake tube	15205	1
Flap set	80011	1
Intake/pressure hose H/D	9135	1
Drive belt	9094	1
Skid	15405	2
Drag arm	15418	1
Inspection door seal	9072-68	1
Top door seal	9072-202	1
Dump door seal	9114-242	1
GB Brush Set	1143	2

Avoiding a single day's down time will make the initial investment justify the expense. Plan ahead so you can avoid down time and save on parts by eliminating 'next-day' shipping charges.

B. SWEEPING HOOD

1. HOOD NOT GLIDING PROPERLY – EXCESSIVE RUNNER WEAR

CAUSE	SOLUTION
1. Improper hood spring adjustment.	1. Adjust hood spring tension.
2. Bent hood channel.	2. Straighten or replace hood channel.
3. Bent or uneven drag arms.	3. Straighten or replace drag arms.
4. Improper side plate adjustment.	4. Adjust side plates.

2. HOOD DRIFTING DOWN

CAUSE	SOLUTION
1. Leaking sweeping hood cylinder seal.	1. Rework seals or replace cylinder.
2. Check valve stuck open or not functioning.	2. Replace or clean.

C. CURB BROOM

1. BROOM DISC SPINS TOO SLOWLY

CAUSE	SOLUTION
1. Low outside temperature.	1. Run auxiliary engine longer before using broom to warm up hydraulic oil.
2. Sweeper engine throttle position.	2. Throttle up as sweeper engine is too low.
3. Fluid viscosity is too high for operating temperature.	3. Replace with lighter weight oil.
4. Broom hydraulic motor is bad.	4. Rebuild or replace motor.

2. BROOM DISC SPINS TOO FAST

CAUSE

- 1. Hydraulic pressure/flow is too high.**

SOLUTION

1. Adjust hydraulic pressure/flow.

3. DEBRIS TRAILS BETWEEN THE BROOM DISC AND THE SIDE OF THE SWEEPING HOOD

CAUSE

- 1. Improper broom head adjustment.**

SOLUTION

1. Adjust the broom head tilt.

4. BROOM DISC STALLS IN HEAVY DEBRIS

CAUSE

- 1. Pressure to the broom motor is too low**
- 2. Motor or pump seals leaking.**

SOLUTION

1. Adjust pump pressure.
2. Seek service.

5. BROOM FLINGS DEBRIS BACK INTO CURB

CAUSE

- 1. The broom disc is adjusted too flat.**

SOLUTION

1. Adjust broom disc.

6. BROOM FLINGS DEBRIS ACROSS THE STREET

CAUSE

- 1. The tilt angle of the broom head is too great.**

SOLUTION

1. Adjust broom head.

7. BROOM SPINS BUT WILL NOT EXTEND/RETRACT

CAUSE

- 1. Inside cylinder hydraulic hose or fitting is blocked.**
- 2. Directional valve malfunctioning.**

SOLUTION

- 1. Clear the blockage.**
- 2. Check the directional valve. Replace if needed.**

8. BROOM OPERATES BUT WILL NOT LIFT

CAUSE

- 1. Mechanical bind.**
- 2. Switch or directional valve wire is loose or you have a bad connection.**
- 3. Leaking cylinder seals (fluid loss out of the port vent).**
- 4. Blocked solenoid valve.**

SOLUTION

- 1. Check broom hardware for binds.**
- 2. Check the wiring.**
- 3. Replace the seals.**
- 4. Replace the valve.**

9. BROOM SPINS BUT WILL NOT LOWER

CAUSE

- 1. Mechanical bind.**
- 2. Bad solenoid valve cartridge.**
- 3. Solenoid valve electrical circuit incomplete.**

SOLUTION

- 1. Check broom hardware for binds.**
- 2. Replace cartridge.**
- 3. Complete circuit.**

10. BROOM RAISES BUT LEAKS DOWN IMMEDIATELY

CAUSE	SOLUTION
1. Solenoid valve stuck open.	1. Clean valve or replace.
2. Leaking cylinder seals (fluid loss out of the port vent).	2. Replace seals.

11. BROOM DROPS BUT WILL NOT OTHERWISE OPERATE

CAUSE	SOLUTION
1. Bad pump.	1. Service or replace pump.
2. Directional valve electrical circuit incomplete.	2. Complete circuit.
3. Directional valve ports blocked.	3. Seek service.

12. BROOM WILL NOT DROP OR OTHERWISE OPERATE

CAUSE	SOLUTION
1. Bad switch.	1. Replace switch.
2. Circuit breaker tripped.	3. Check circuit breaker and reset if necessary. Otherwise, search for any wiring problem.

D. HYDRAULIC SYSTEM

1. EXTREME HEAT, UNUSUAL NOISE, OR POOR PERFORMANCE FROM THE PUMP

CAUSE	SOLUTION
1. Reservoir cap is not vented.	1. Replace cap with vented equivalent.
2. Low oil level.	2. Check oil and fill as needed.
3. Dirty hydraulic oil.	3. Remove filters and clean or replace. Then change oil.
4. Bad pump.	4. Repair or replace pump.

2. HYDRAULIC SYSTEM WILL NOT OPERATE

CAUSE	SOLUTION
1. Mechanical pump is not being powered.	1. Engine must be operating. Determine reason why pump is not being driven and repair.
2. Hydraulic pump pressure low.	2. Adjust pump pressure.
3. Directional valve faulty or it has a poor ground.	3. Check electrical connections or replace valve.
4. No power to auxiliary pump.	4. Complete circuit.
5. Leaking cylinder seals.	5. Replace seals.
6. Major leak in hydraulic system.	6. Repair leak.
7. Internal leak in auxiliary pump.	7. Repair or replace pump.

E. WATER SYSTEM

1. NO WATER EXITING PUMP

CAUSE

1. Out of water.
2. Suction line clogged.
3. Air leak in line.

SOLUTION

1. Refill tank.
2. Clean suction strainer.
3. Tighten plumbing.

2. SPRAY NOZZLE NOT WORKING

CAUSE

1. Nozzle not on.
2. Clogged nozzle.
3. Crimped or clogged water line.
4. No power to pumps.

SOLUTION

1. Switch nozzle on.
2. Clean or replace nozzle.
3. Un-crimp or unclog line.
4. Determine loss of power; complete circuit.

3. LOW PRESSURE

CAUSE

1. Air leak in inlet plumbing.
2. Worn nozzle.
3. Worn pump.
4. Other.

SOLUTION

1. Disassemble, reseal, and reassemble.
2. Replace nozzle.
3. Replace Flow-Jet pump.
4. See water pump Owner's Manual.

VIII APPENDIX

A. TORQUE REFERENCE CHARTS

The following charts contain torque values that are approximate and should not be accepted as accurate limits. Due to various factors such as, surface finish, type of plating, and lubrication in specific applications preclude the publication of accurate values for universal use. Manufacturers of various types of equipment usually provide specific tightening instructions that should be followed. DO NOT use the chart values for gasket joints or joints of soft materials.

1. ENGLISH BOLT TORQUE SPECIFICATIONS

MATERIAL/GRADE:	SAE 2	SOCKET	STAINLESS			
SAE 2 SOCKET STAINLESS	(MILD STEEL)	SAE 5 SCREWS	SAE 8 TYPE 303	HEAD CAP	BRASS	AISI
1/4 - 20	6	11	12	13	5	5
1/4 - 28	7	13	15	16	6	7
5/16 - 18	13	21	25	27	8	9
5/16 - 24	14	23	30	33	9	10
3/8 - 16	23	38	50	52	15	17
3/8 - 24	26	40	60	60	16	18
7/16 - 14	37	55	85	86	23	25
7/16 - 20	41	60	95	95	25	28
1/2 - 13	57	85	125	130	32	37
1/2 - 20	64	95	140	145	34	40
9/16 - 12	80	125	175	180	44	50
9/16 - 18	91	140	195	210	48	54
5/8 - 11	111	175	245	255	68	75
5/8 - 18	128	210	270	290	73	80

2. METRIC BOLT TORQUE SPECIFICATIONS

BOLT DIAMETER		MATERIAL CLASS						
MM	INCH	4.6	4.8	5.8	8.8	9.8	10.9	12.9
5	0.197	3	4	5	7	8	11	12
6	0.236	5	6	8	12.5	14	17	20
6.3	0.248	5.5	8	9.5	14	16	21	24
8	0.315	12	16	20	30	34	44	50
10	0.394	23	32	40	60	70	85	100
12	0.472	40	56	70	103	120	150	180
14	0.551	65	90	110	167	190	240	280
16	0.63	100	140	170	270	290	380	440
18	0.709	137	177	225	350	-	480	580
20	0.787	200	-	330	520	-	740	860

3. TORQUE FOR TIGHTENING SET SCREWS

SET SCREW DIAMETER	HEX SIZE ACROSS FLATS	INCH LB.	FOOT LB.
1/4	1/8	66	5.5
5/16	5/32	126	10.5
3/8	3/16	228	19.0
7/16	7/32	348	29.0
1/2	1/4	504	42.0
5/8	5/16	1104	92.0

4. GENERAL CONVERSION TABLE FOR TORQUE UNITS

Multiply Number Of:	Inches	Inches	Feet	Centimeters	Meters	Newton's
To Obtain:						
Inch Ounces	1.000	16.000	192.000	13.890	1389.000	141.600
Inch Pounds	.062500*	1.000	12.000	0.868	86.800	8.851
Foot Pounds	0.005	.08330**	1.000	0.072	7.233	0.738
Kilogram-Centimeters	0.072	1.152	13.820	1.000	1.000	0.102
Kilogram-Meters	0.001	0.012	0.138	0.010	1.000	0.102
Newton-Meters	0.007	0.113	1.356	0.098	9.807	1.000

*Or divide by 16 **Or divide by 12

EXTENSIONS

Handle extensions (a piece of pipe placed on the wrench in order to make torquing easier) SHOULD NOT BE USED under any circumstances. Their use will result in erroneous torque readings. Over-torquing may snap off bolt heads or cause damage to parts. This practice will also damage the wrench's adjusting mechanism.

While applying torque, the wrench should be held ONLY BY THE GRIP. At high-torque readings, if both hands are necessary to apply enough pressure to achieve the desired torque, hold the grip in one hand and place the other hand on top of the first hand. Never grip the wrench body when using both hands.

5. TORQUE FOR TIGHTENING LOCKING COLLARS

CAP SCREW DIAMETER	HEX SIZE ACROSS FLATS	INCH LB.	FOOT LB.
#8-32 UNC-3 A	1/8	70	5.8
#10-24 UNC-3 A	9/64	90	7.5
#1/4-20 UNC-3 A	3/16	180	15.0
#5/16-18 UNC-3 A	1/4	400	33.3

NOTE:



Galaxy R-6

II. Parts Section

To Order:

Call toll free: 800-482-2302

Call Direct: 717-564-5600

[7AM to 5PM eastern]

Send Fax: 717-901-2326

[24/7/365]

Email: parts@stewart-amos.com

Table of Contents

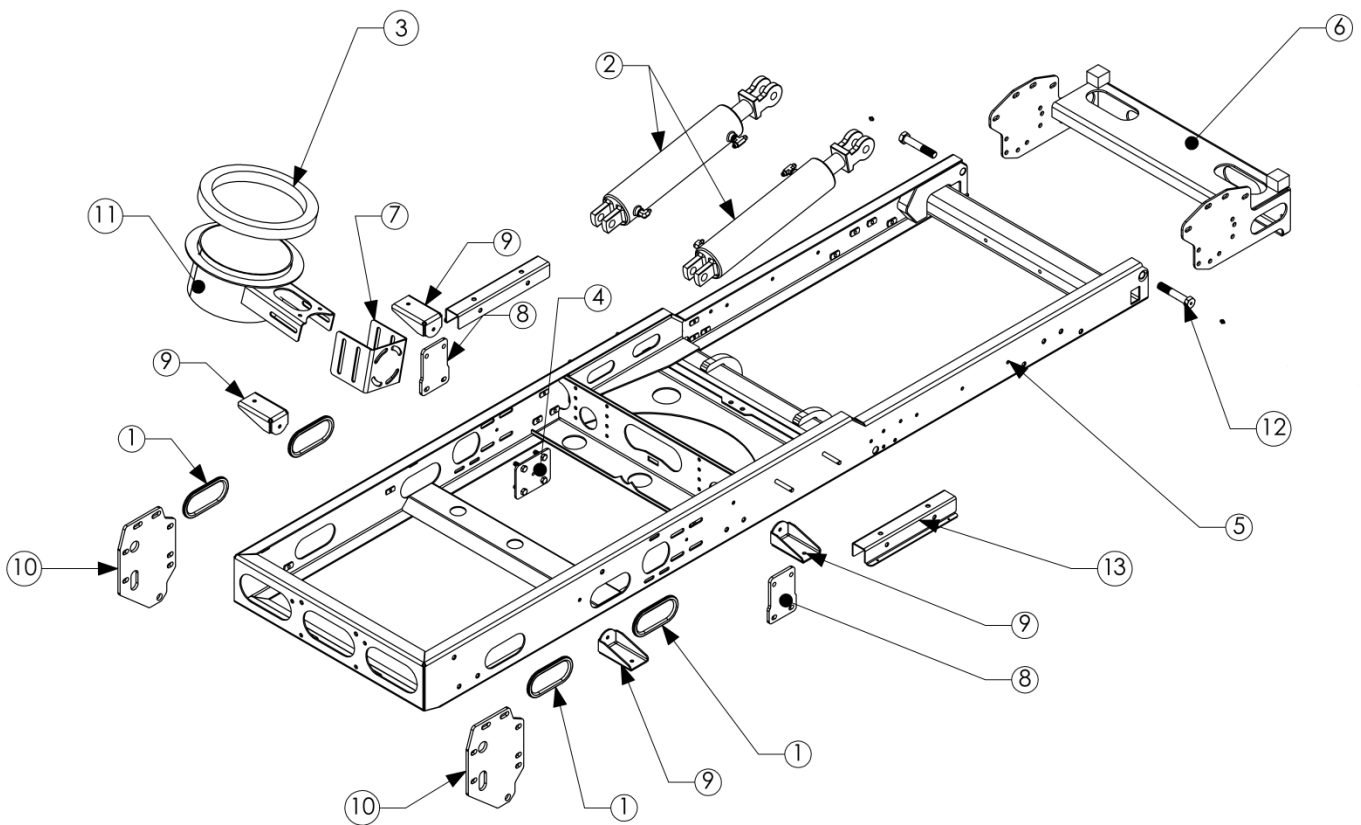
MAIN FRAME ASSEMBLY.....	116
POWER MODULE ASSEMBLY.....	118
ENGINE SKID ASSEMBLY.....	120
HYDRAULIC ASSEMBLY.....	122
HYDRAULIC RESERVOIR ASSEMBLY.....	124
WATER SYSTEM ASSEMBLY.....	126
FAN HOUSING ASSEMBLY.....	128
FAN HOUSING LINER.....	130
COMPLETE HOPPER ASSEMBLY.....	132
HOPPER ASSEMBLY KIT.....	134
HOPPER TOP DOOR ASSEMBLY.....	136
HOPPER INSPECTION DOOR ASSEMBLY.....	138
DUMP DOOR ASSEMBLY.....	140
SHROUD ASSEMBLY.....	142
COMPLETE HEAD ASSEMBLY.....	144
HEAD FLAP KIT ASSEMBLY.....	146
COMPLETE TOOLBOX ASSEMBLY.....	148
REAR LIGHT BAR ASSEMBLY.....	150
REAR BUMPER ASSEMBLY.....	152
8IN HAND HOSE ASSEMBLY.....	154
HYDRANT FILL TUBE ASSEMBLY.....	156
DUST SUPPRESSIONASSEMBLY.....	158
FRONT SPRAY BAR ASSEMBLY.....	160
GUTTER BROOM SPRAY BAR ASSEMBLY.....	162
DUMP DOOR CYLINDER ASSEMBLY.....	164
PICKUP CYLINDER.....	166
LATCH CYLINDER.....	168
DUMP CYLINDER ASSEMBLY.....	170
GUTTER BROOM UPPER ASSEMBLY.....	172
GUTTER BROOM LOWER ASSEMBLY.....	174
CONSOLE ASSEMBLY.....	176

CONSOLE IN CAB PANEL MOUNTING	178
AUX BOX HARNESS.....	180
BODY HARNESS.....	182
VALVE HARNESS	184
SWITCH BOX HARNESS.....	186
BUMPER HARNESS	188
TOP MARKER HARNESS.....	190
TOP BEACON HARNESS	192
PART INDEX	194

MAIN FRAME ASSEMBLY

EXPLODED VIEW

PART# 80176



MAIN FRAME ASSEMBLY

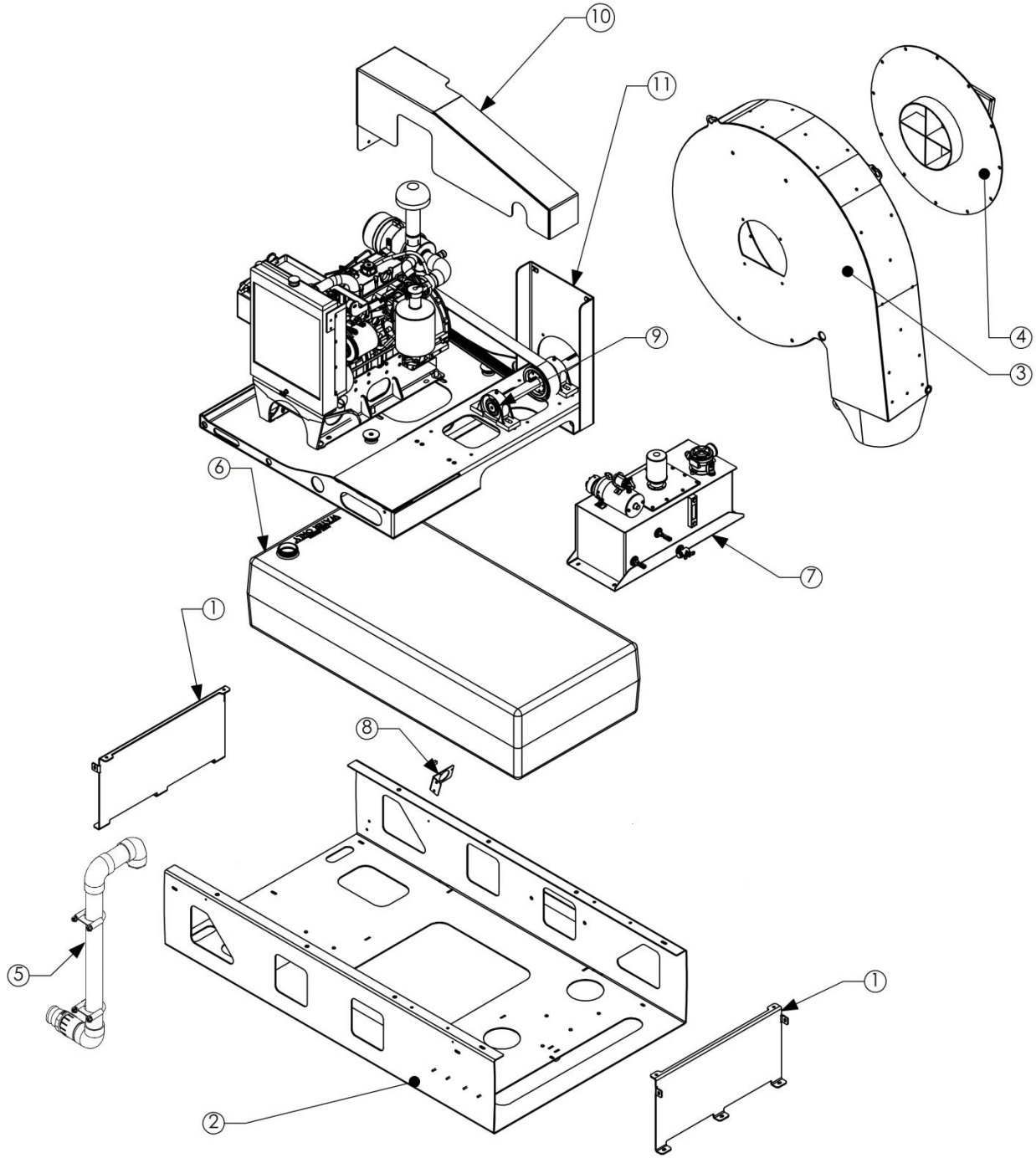
PARTS REQUIRMENTS

ITEM #	QTY.	PART#	DISCRIPTION
1	4	9066	RUBBER EDGE TRIM 17"
2	2	9122	DUMP CYLINDER
3	1	9129	TRANSITION SEAL
4	1	15100	BOLT PLATE TRANSITION
5	1	15101	MAIN FRAME
6	1	15102	REAR BUMPER MOUNTING BRACKET
7	1	15103	TRANSITION MOUNTING BRACKET
8	2	15104	MIDDLE TIE DOWN
9	4	15106	HEAD SPRING HANGER
10	2	15107	DRAG ARM BRACKET
11	1	15108	INTAKE TRANSITION TUBE ASSEMBLY
12	2	15109	HINGE BOLT ASSY
13	2	15110	DUMP SAFTY CHAULK
14	1	NOT SHOWN	SEQUENCING VALVE ASSY

POWER MODULE ASSEMBLY

EXPLODED VIEW

PART# 80175



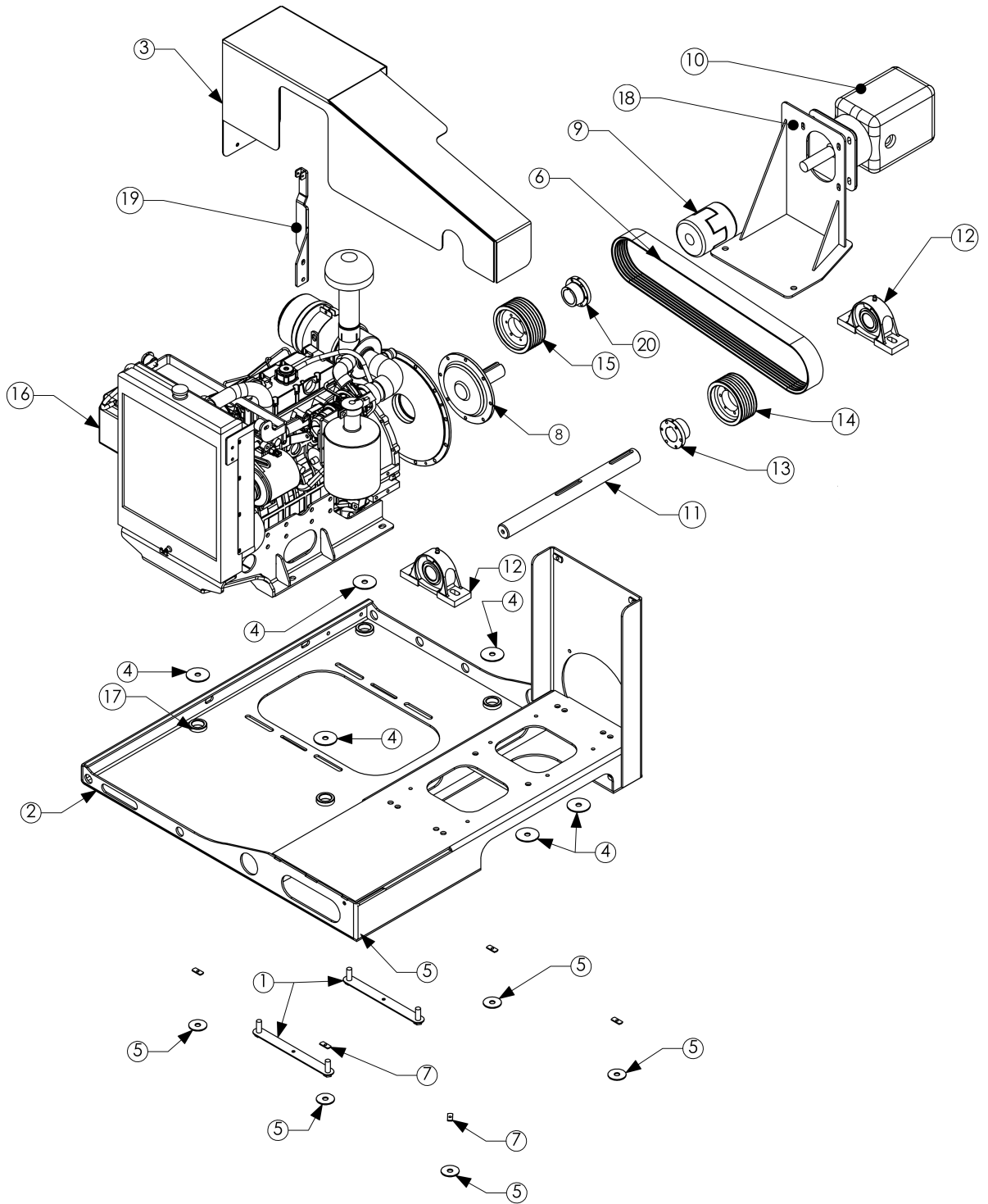
POWER MODULE ASSEMBLY
PARTS REQUIREMENTS

ITEM NO.	QTY.	PART NUMBER	DESCRIPTION
1	1	15000	MOUNTING PLATE
2	1	15001	POWER MODULE
3	1	15012	FAN HOUSING
4	1	15013	BACKPLATE FAN HOUSING
5	1	80186	HYDRANT FILL TUBE ASSEMBLY
6	1	80184	WATER SYSTEM ASSEMBLY 200gal
7	1	80183	HYDRAULIC RESERVOIR ASSEMBLY
8	1	15015	FUEL FILLER BRACKET
9	1	15016	FAN SHAFT PULLEY LOCK KEY
10	1	15008	BELT GUARD
11	1	80189	ENGINE SKID ASSEMBLY

ENGINE SKID ASSEMBLY

EXPLODED VIEW

PART# 80189



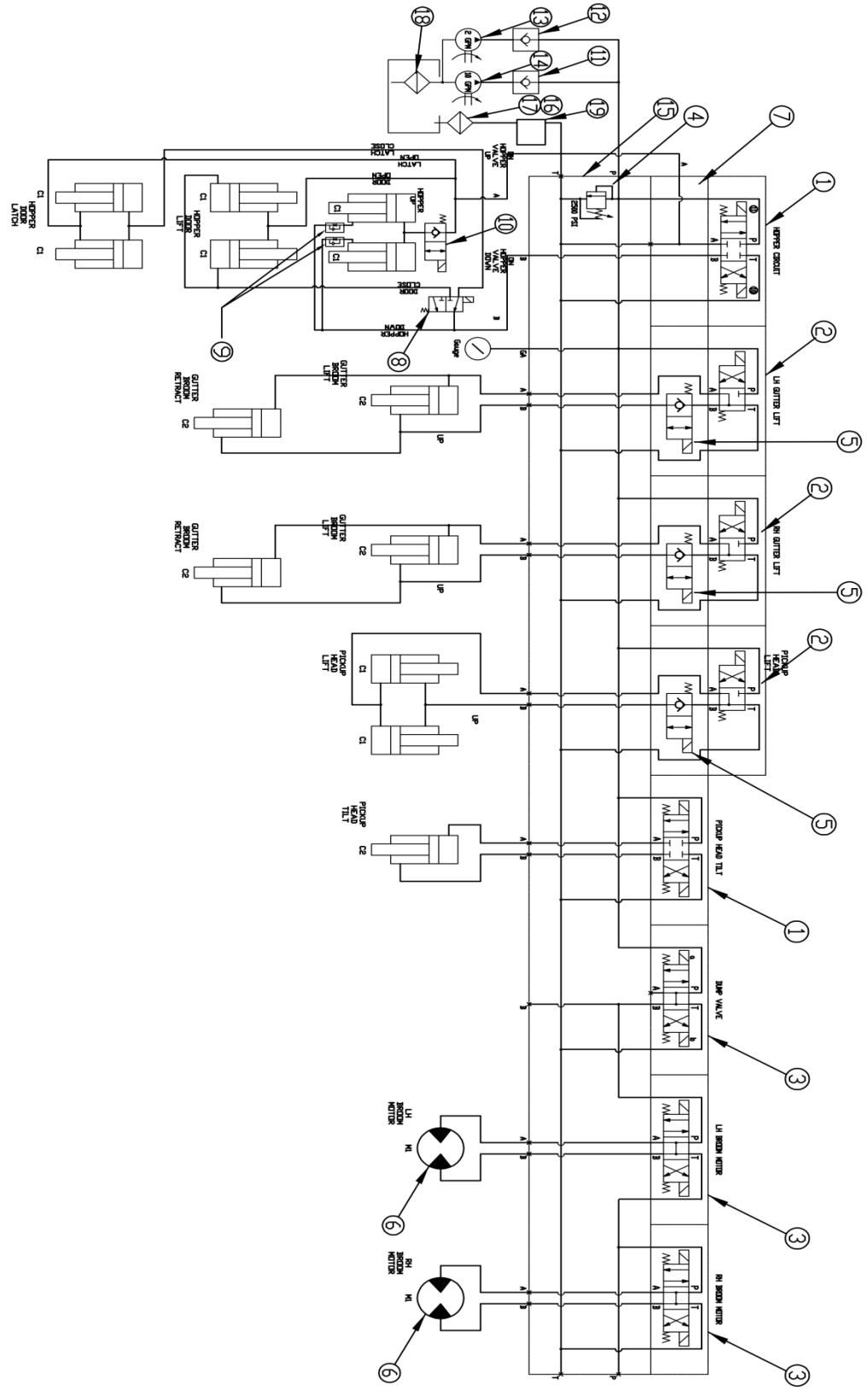
**ENGINE SKID
PARTS REQUIREMENT**

ITEM #	QTY.	PART#	DISCRIPTION
1	2	15006	SLIDE BAR ENGINE SKID
2	1	15007	ENGINE SKID
3	1	15008	GUARD
4	6	15009	HEAD WASHER ENGINE SKID
5	6	15010	TAIL WASHER ENGINE SKID
6	1	9094	BELT
7	6	9027	WELD NUT
8	1	2072	HAYES DRIVER
9	1	2073	COUPLING
10	1	2074	HYD PUMP
11	1	15022	FAN SHAFT
12	2	9017	BEARING
13	1	9031	BUSHING
14	1	9086	PULLEY
15	1	9087	PULLEY
16	1	2071	ENGINE ASSY
17	6	9096	VIBRATION ISOLATOR CENTER BONDED
18	1	15801	PUMP MOUNT
19	1	15021	THROTTLE ACTUATOR
20	1	3248	BUSHING

HYDRAULIC ASSEMBLY

EXPLODED VIEW

PART# 80210



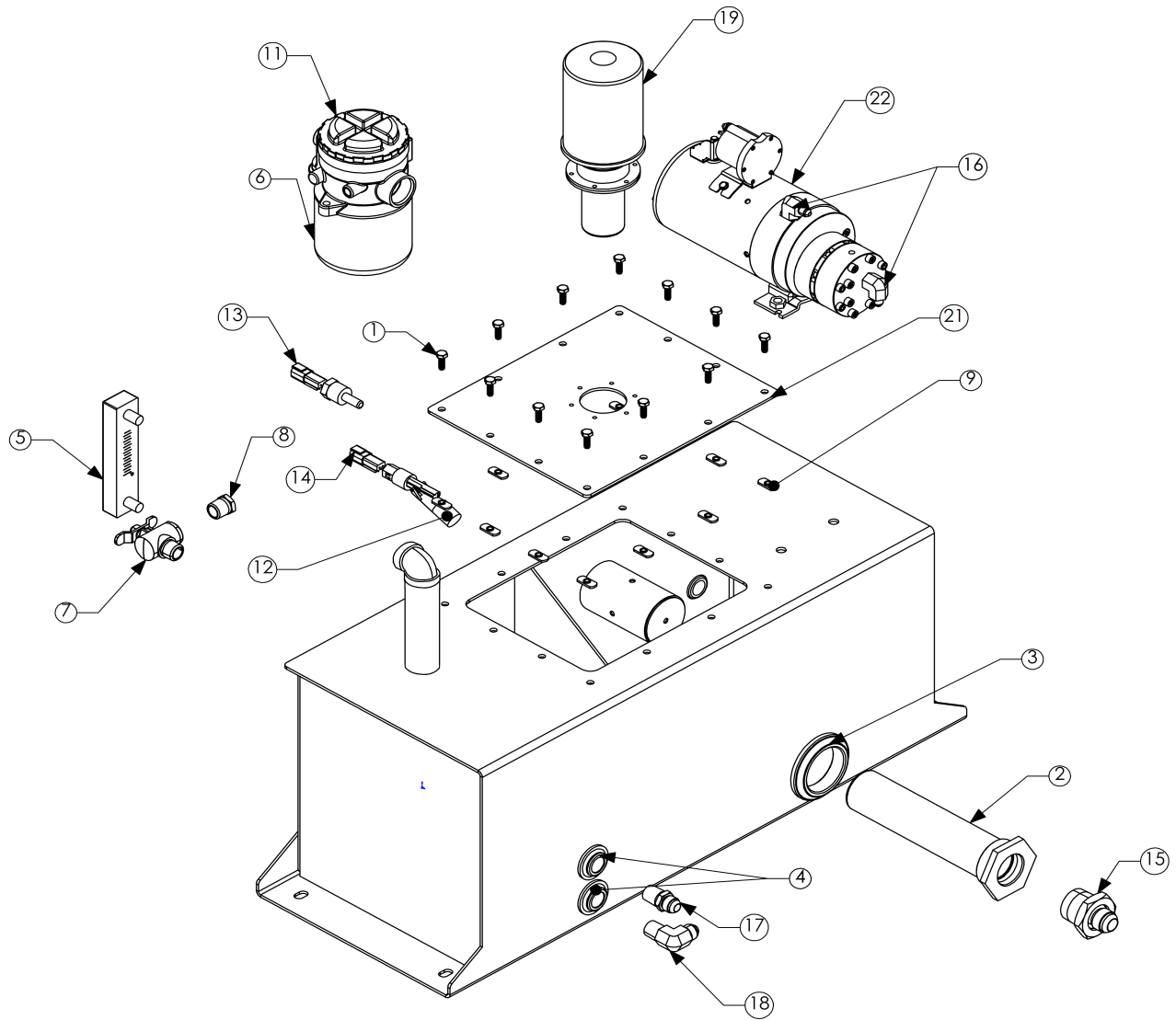
HYDRAULIC ASSEMBLY
PART REQUIERMENT

ITEM #	QTY.	PART#	DISCRIPTION
1	3	2001	VALVE
2	3	2002	VALVE
3	3	2005	VALVE
4	1	2000	RELIEF VALVE
5	3	2016	BODY FLOAT VALVE
	3	1990	CARTRIDGE FLOAT
	3	2011	COIL CONN FLOAT
6	6	3243	MOTOR
7	1	1991	PLATE
8	2	2222	VALVE
9	2	2030	RESTRICTORS
10	1	1068	FLOAT VALVE
11	1	2219	INLINE CHECK VALVE
12	1	2221	INLINE CHECK VALVE
13	1	3203	AUXILIARY HYD. PUMP
14	1	2074	HYD. PUMP
15	1	2006	MANIFOLD
16	1	1416	HYD. FILTER
17	1	1411	HYD. FILTER BASE
18	1	9020	SUCTION SCREEN
19	1	1955	HYD. OIL COOLER
20	1	9164	1/2" NY ONE WAY CHECK VALVE
21	1	9165	3/4" NY ONE WAY CHECK VALVE

HYDRAULIC RESERVOIR ASSEMBLY

EXPLODED VIEW

PART# 80183



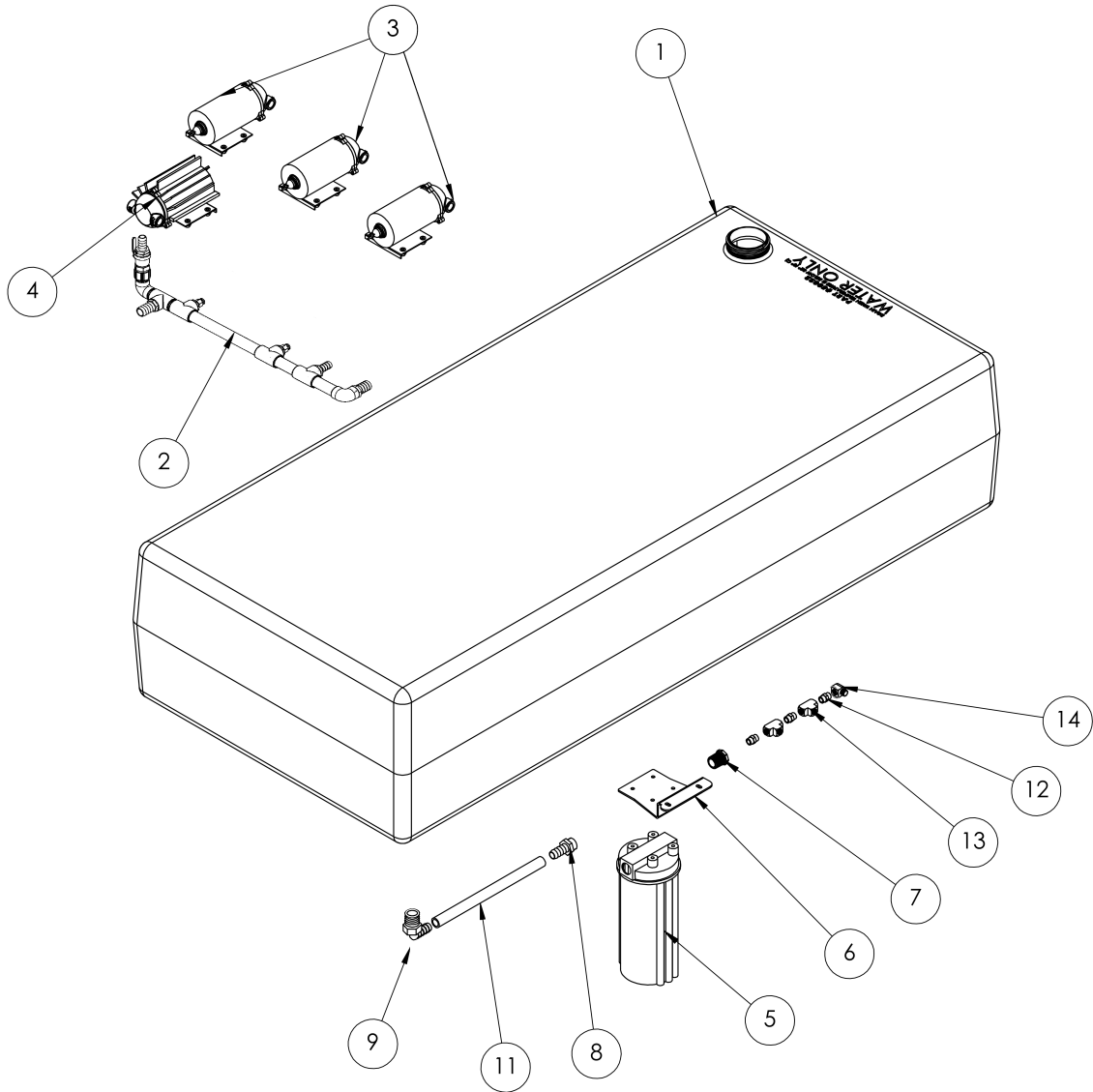
HYDRAULIC RESERVOIR ASSEMBLY
PART REQUIERMENT

ITEM #	QTY.	PART#	DISCRIPTION
1	12	9003	SCREW
2	1	9020	SUCTION STRAINER
3	1	9021	TANK FLANGE
4	5	9022	TANK FLANGE
5	1	9023	SIGHT GAUGE
6	1	1416	RETURN FILTER HYD RESERVOIR
7	1	9030	VALVE
8	1	9041	BRASS PLUG
9	12	9047	WELD NUT
11	1	1411	FILTER BASE
12	1	9074	HYD FLUID LEVEL SENSOR
13	1	9075	TEMPERATURE SWITCH
14	1	9079	CONNECTOR
15	1	9080	CONNECTOR
16	2	9083	ELBOW
17	1	9085	CONNECTOR
18	1	9090	ELBOW
19	1	9098	HYD TANK BREATHER KIT
20	1	15002	HYD RESERVOIR
21	1	15003	INSPECTION COVER HYD TANK
22	1	80191	AUX HYD PUMP

WATER SYSTEM ASSEMBLY

EXPLODED VIEW

PART# 80183



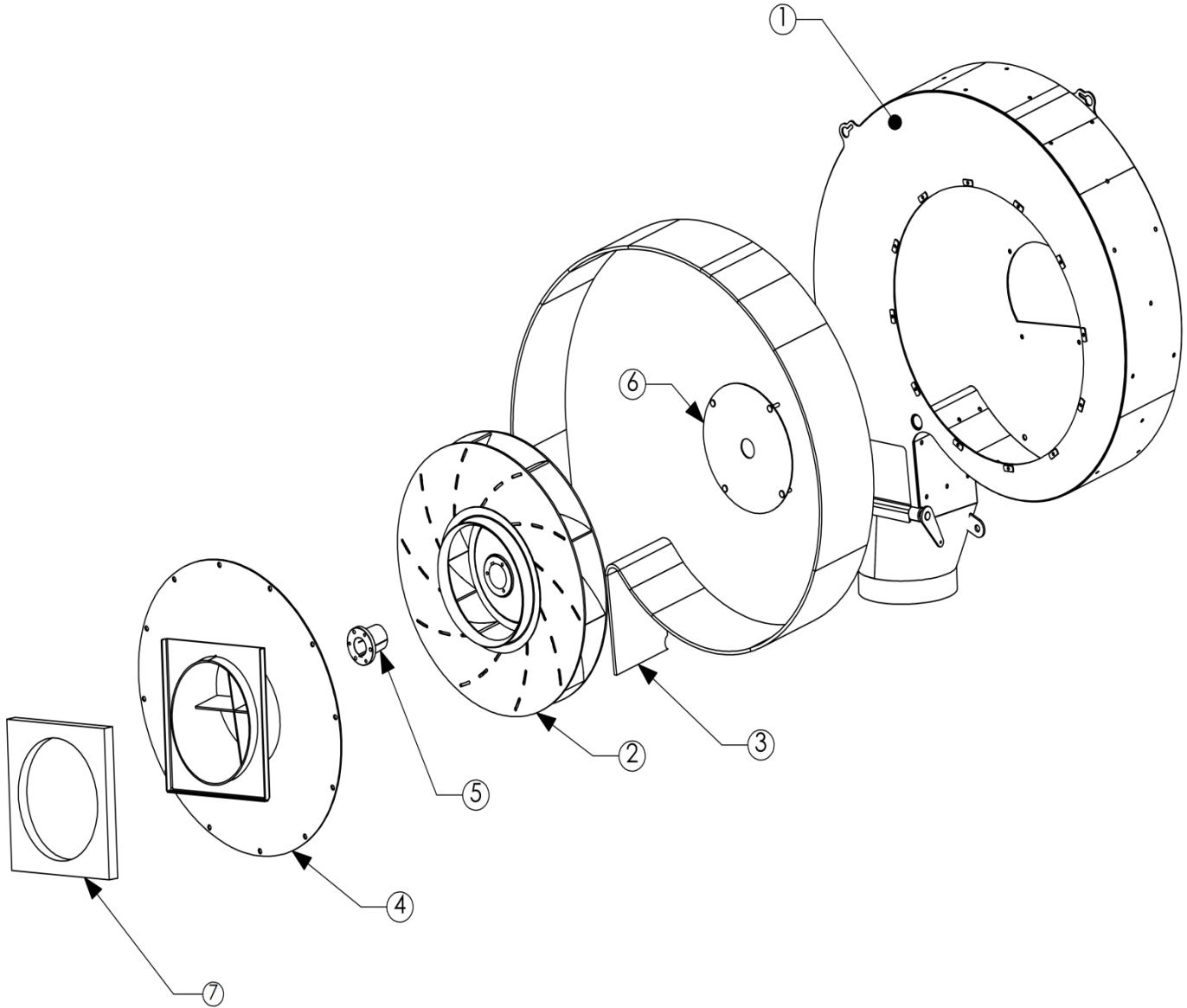
WATER SYSTEM ASSEMBLY
PART REQUIERMENT

ITEM #	QTY.	PART#	DISCRIPTION
1	1	15004	WATER RESERVOIR 200 GAL
2	1	15026	WATER PUMP BAR
3	2	9035	WATER PUMP
4	1	3232	WATER PUMP
5	1	1117	WATER FILTER
6	1	15025	WATER FILTER BRACKET
7	1	9232	BRASS REDUCER
8	2	1158	BRASS HOSE BARB FITTING
9	1	1130	BRASS ELBOW
10	1	1172	FILTER ELEMENT
11	1	1166	WATER TUBING
12	3	9236	BRASS NIPPLE
13	2	9234	BRASS TEE
14	1	9238	BRASS ELBOW

FAN HOUSING ASSMEBLY

EXPLODED VIEW

PART# 80187



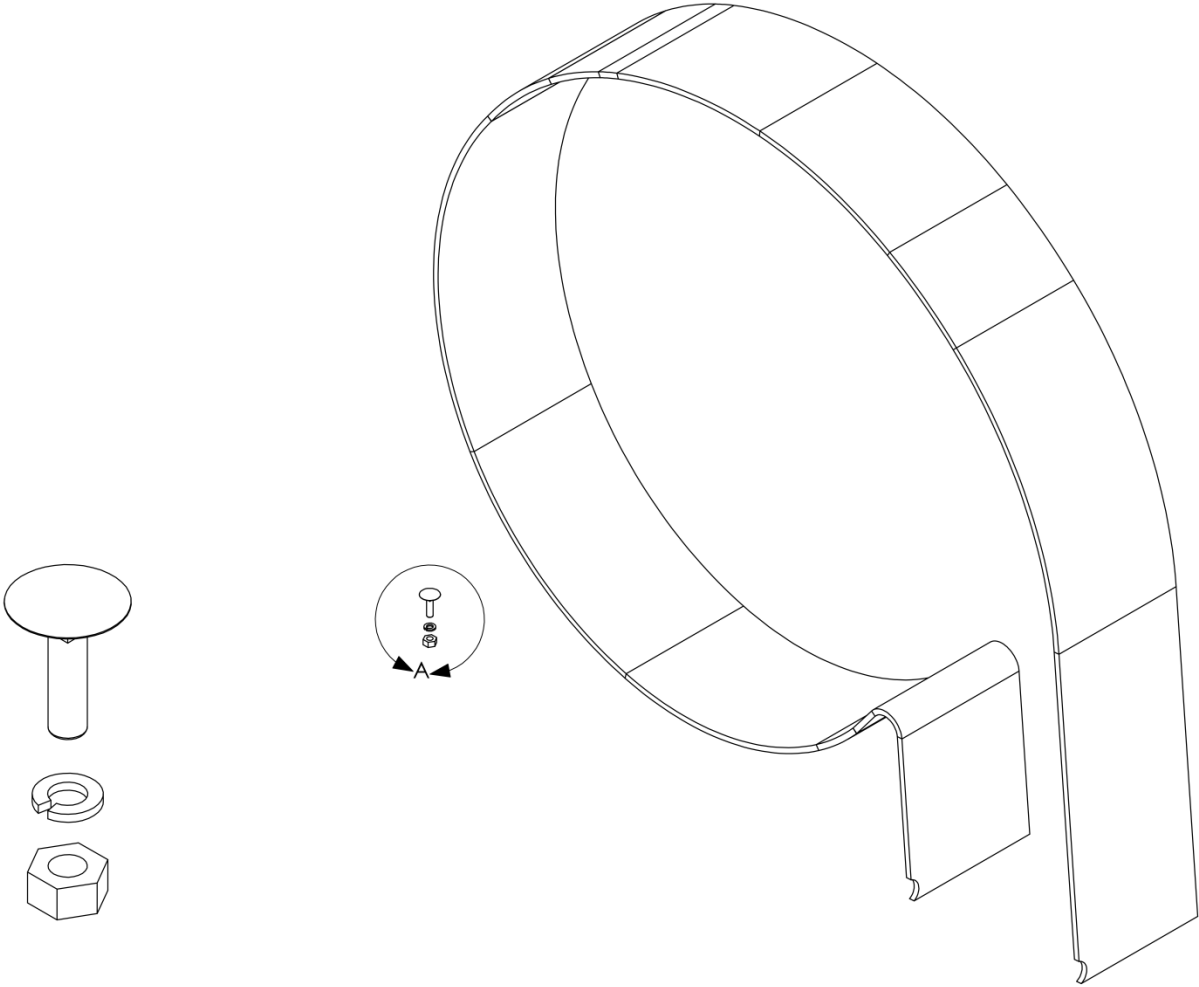
FAN HOUSING ASSMEBLY
PART REQUIERMENT

ITEM #	QTY.	PART#	DISCRIPTION
1	1	15012	FAN HOUSING
2	1	15014	FAN 30" S-SERIES
3	1	80190	LINER KIT FAN HOUSING
4	1	15013	BACKPLATE FAN HOUSING
5	1	9034	BUSHING
6	1	15011	PORT COVER
7	1	9000	FAN SEAL

FAN HOUSING LINER

EXPLODED VIEW

PART# 80190



DETAIL A
SCALE 1 : 2

FAN HOUSING LINER

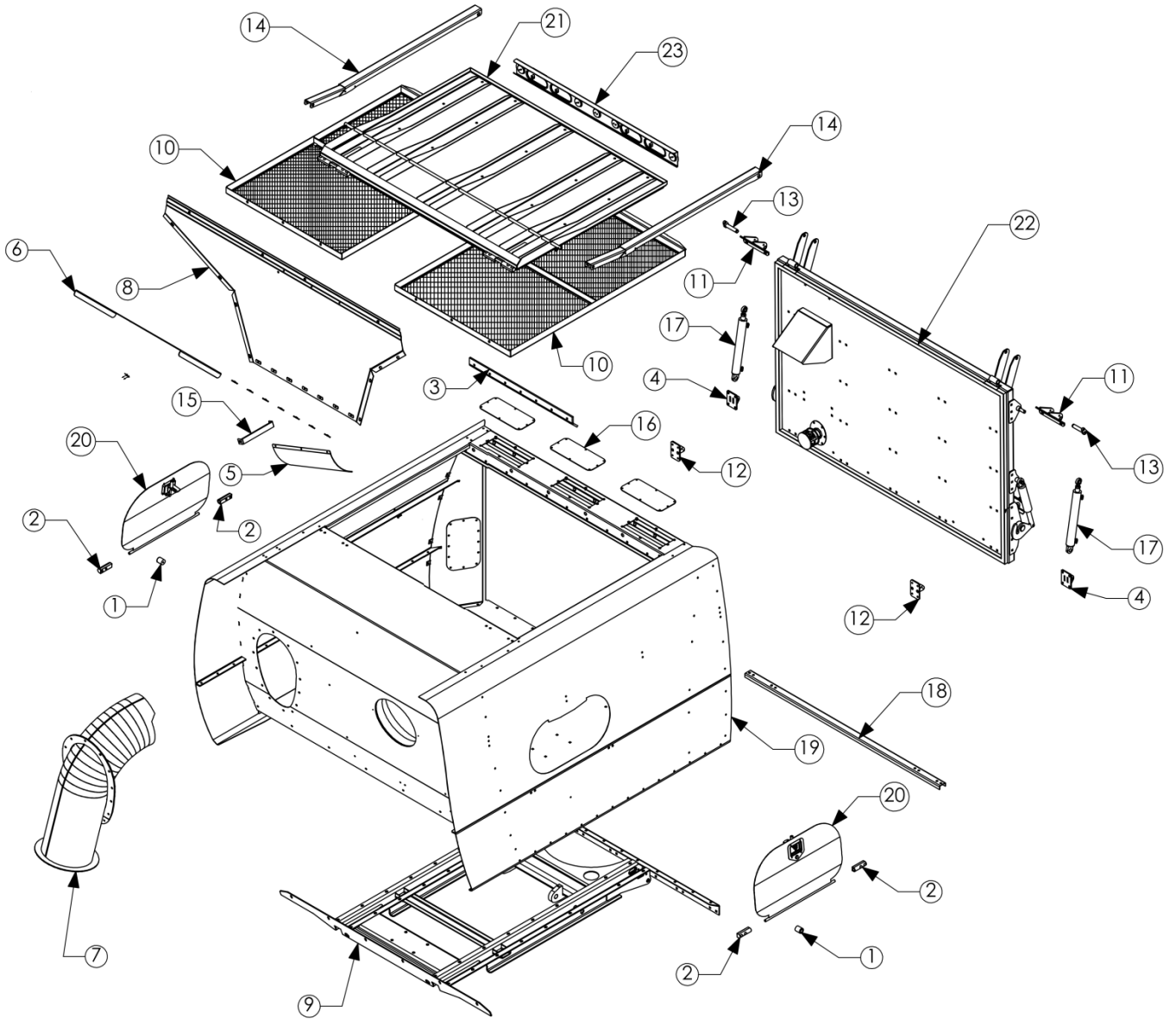
PART REQUIERMENT

ITEM #	QTY.	PART#	DISCRIPTION
1	40	9004	WASHER SPRING LOCK
2	40	9005	NUT
3	40	9007	ELEVATOR BOLT
4	1	15019	RUBBER LINER

COMPLETE HOPPER ASSEMBLY

EXPLODED VIEW

PART# 80177



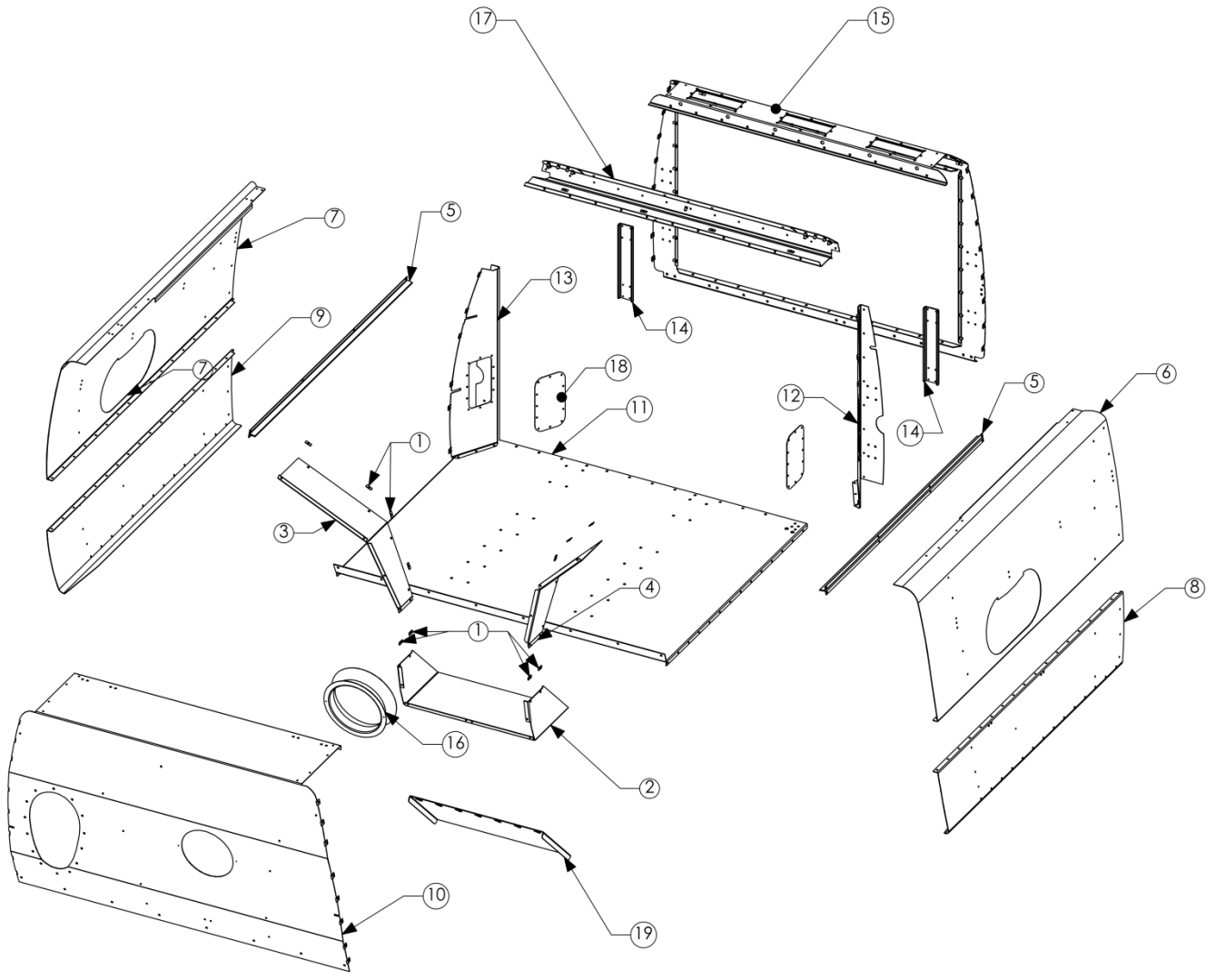
**COMPLETE HOPPER ASSEMBLY
PART REQUIRMENTS**

ITEM #	QTY.	PART#	DISCRIPTION
1	2	9067	RUBBER BUMPER
2	8	15200	BLACK ALUMINUM HINGE
3	1	15201	RUBBER HINGE SEPARATOR DOOR
4	2	15202	DUMP DOOR CYL MOUNT
5	1	15203	AIR VANE SEPARTOR DOOR
6	1	15204	SEPARATOR DOOR
7	1	15205	HOPPER INTAKE TUBE
8	1	15206	REAR SEPERATOR COVER
9	1	15220	HOPPER FRAME
10	2	15221	SCREEN FRAME
11	2	15222	DUMP DOOR HINGE BRACKET
12	2	15223	STRIKER LATCH REAR DOOR
13	2	15224	DUMP DOOR HINGE PIN
14	2	15225	TOP DOOR CONNECTOR ARM
15	1	15243	FRONT HOPPER SEPERATOR BRACE
16	3	15244	HOPPER ACCESS COVER PLATE
17	2	15245	DUMP DOOR CYLINDER
18	1	15246	HINGE SUPPORT CHANNEL TOP DOOR
19	1	80193	HOPPER ASSY
20	2	80194	HOPPER INSPECTION DOOR ASSEMBLY
21	1	80195	HOPPER TOP DOOR ASSEMBLY
22	1	80196	DUMP DOOR ASSEMBLY
23	1	80197	REAR LIGHT BAR ASSEMBLY
24	1	1770	CAMERA (not shown)
25	1	1769	CAMERA CABLE (not shown)

HOPPER ASSEMBLY KIT

EXPLODED VIEW

PART# 80193



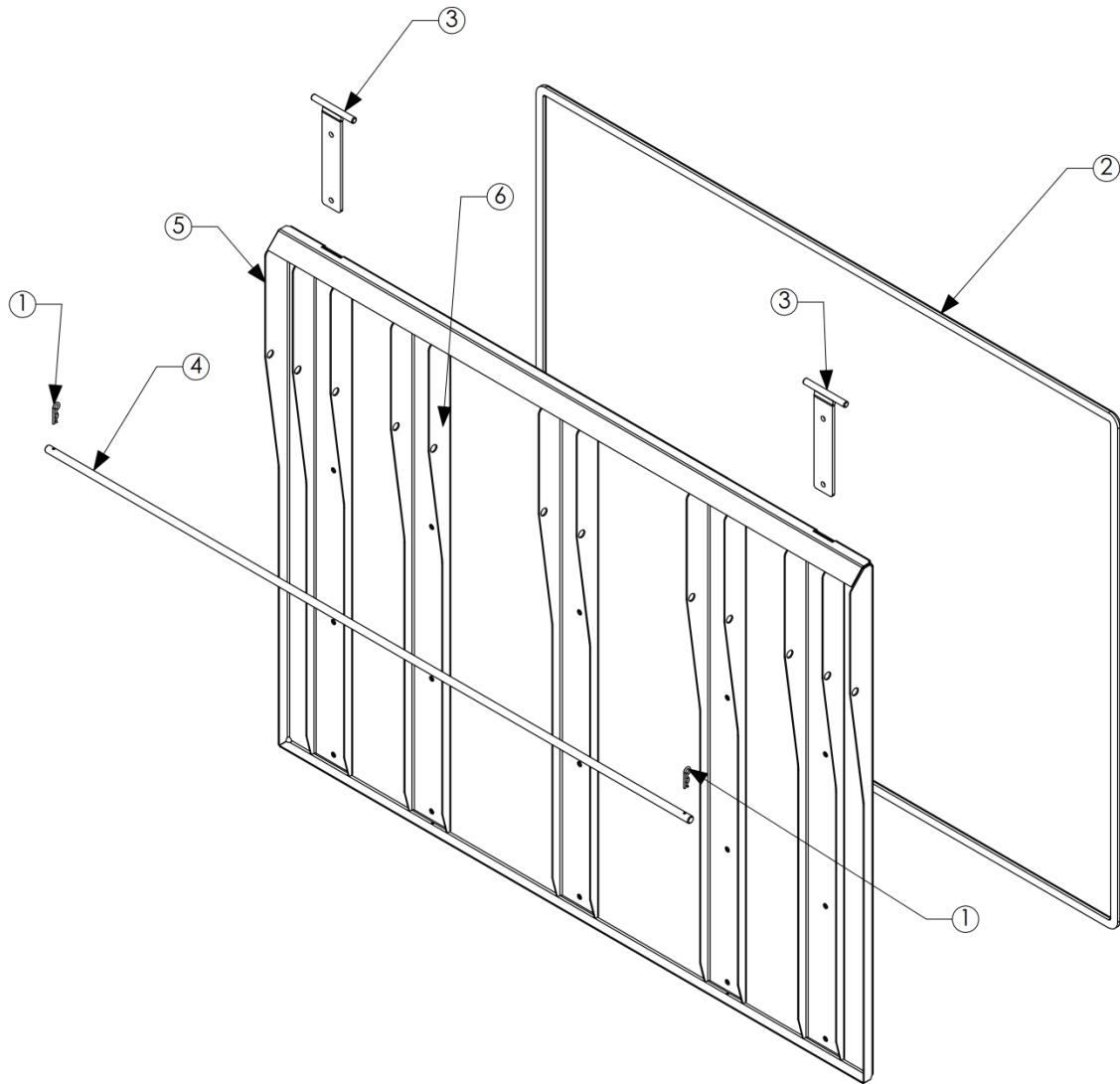
HOPPER ASSEMBLY KIT
PART REQUIERMENT

ITEM #	QTY.	PART#	DISCRIPTION
1	12	9026	WELD NUT SS
2	1	15207	LOWER BASIN SEPAEATOR
3	1	15208	RH SEPARATOR WRAP
4	1	15209	LH SEPARATOR WRAP
5	2	15210	UPPER BRACE HOPPER SIDE
6	1	15211	LH UPPER HOPPER SIDE
7	1	15212	RH UPPER HOPPER SIDE
8	1	15213	LH LOWER HOPPER SIDE
9	1	15214	RH LOWER.HOPPER SIDE
10	1	15215	FRONT HOPPER PAN
11	1	15216	FLOOR PAN HOPPER
12	1	15217	LH DUMP GUSSET
13	1	15218	RH DUMP GUSSET
14	2	15219	BOLT PLATE REAR HOPPER
15	1	15247	REAR TANK END HOPPER
16	1	15248	SCROLL HOPPER SEPARATOR
17	1	15249	UPPER SEAL PLATE REAR BULKHEAD
18	2	15258	ACCESS COVER DUMP GUSSET
19	1	15204	DUST SEPARATOR DOOR

HOPPER TOP DOOR ASSEMBLY

EXPLODED VIEW

PART# 80195



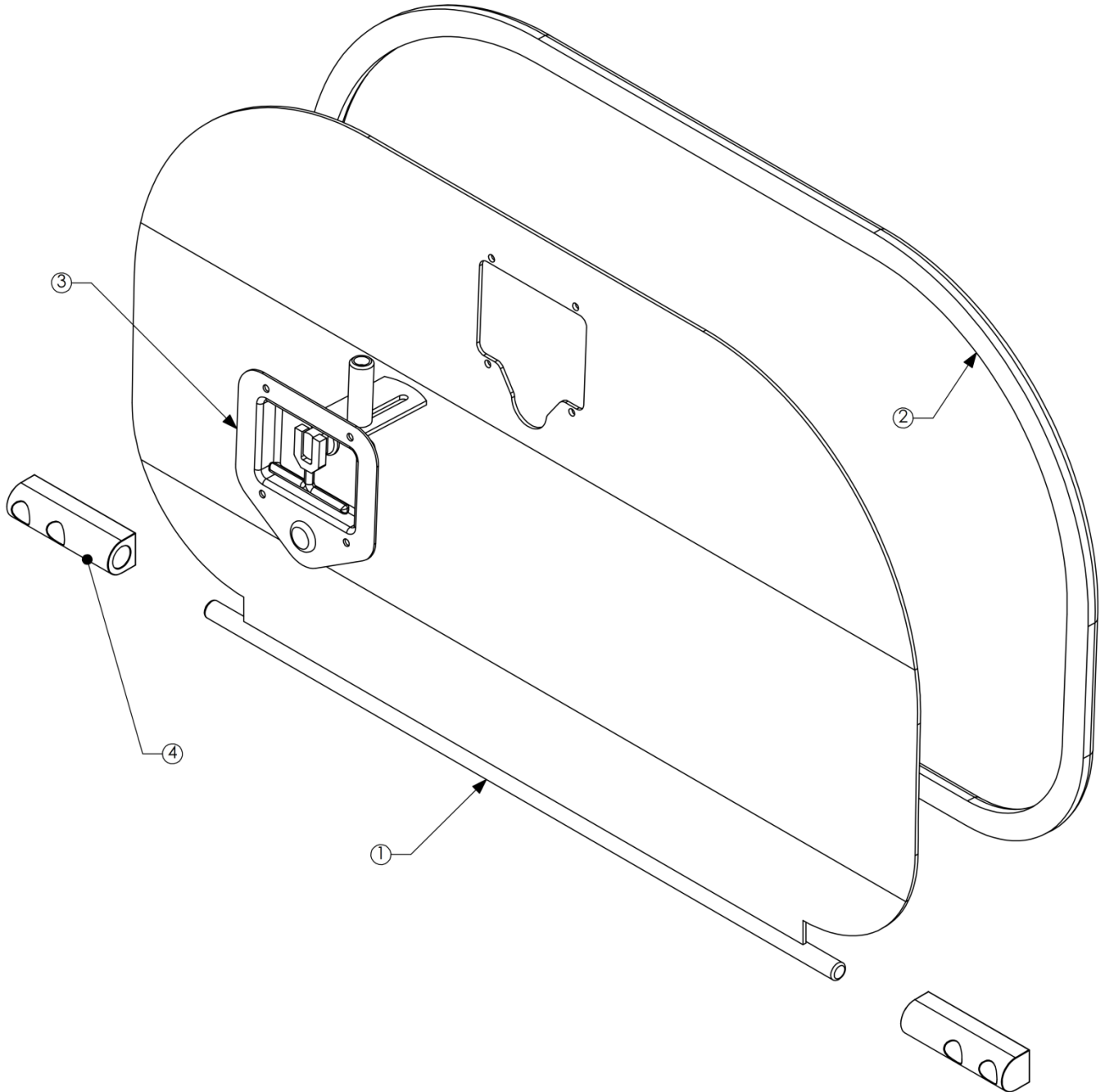
HOPPER TOP DOOR ASSEMBLY
PART REQUIERMENT

ITEM #	QTY.	PART#	DISCRIPTION
1	2	9037	COTTER PIN
2	1	9072-202	TOP DOOR SEAL
3	2	15227	HINGE DUMP DOOR
4	1	15255	LIFTING ROD TOP DOOR
5	1	15250	TOP DOOR SKIN
6	5	1910	TOP DOOR BRACE

HOPPER INSPECTION DOOR ASSEMBLY

EXPLODED VIEW

PARTS# 80193



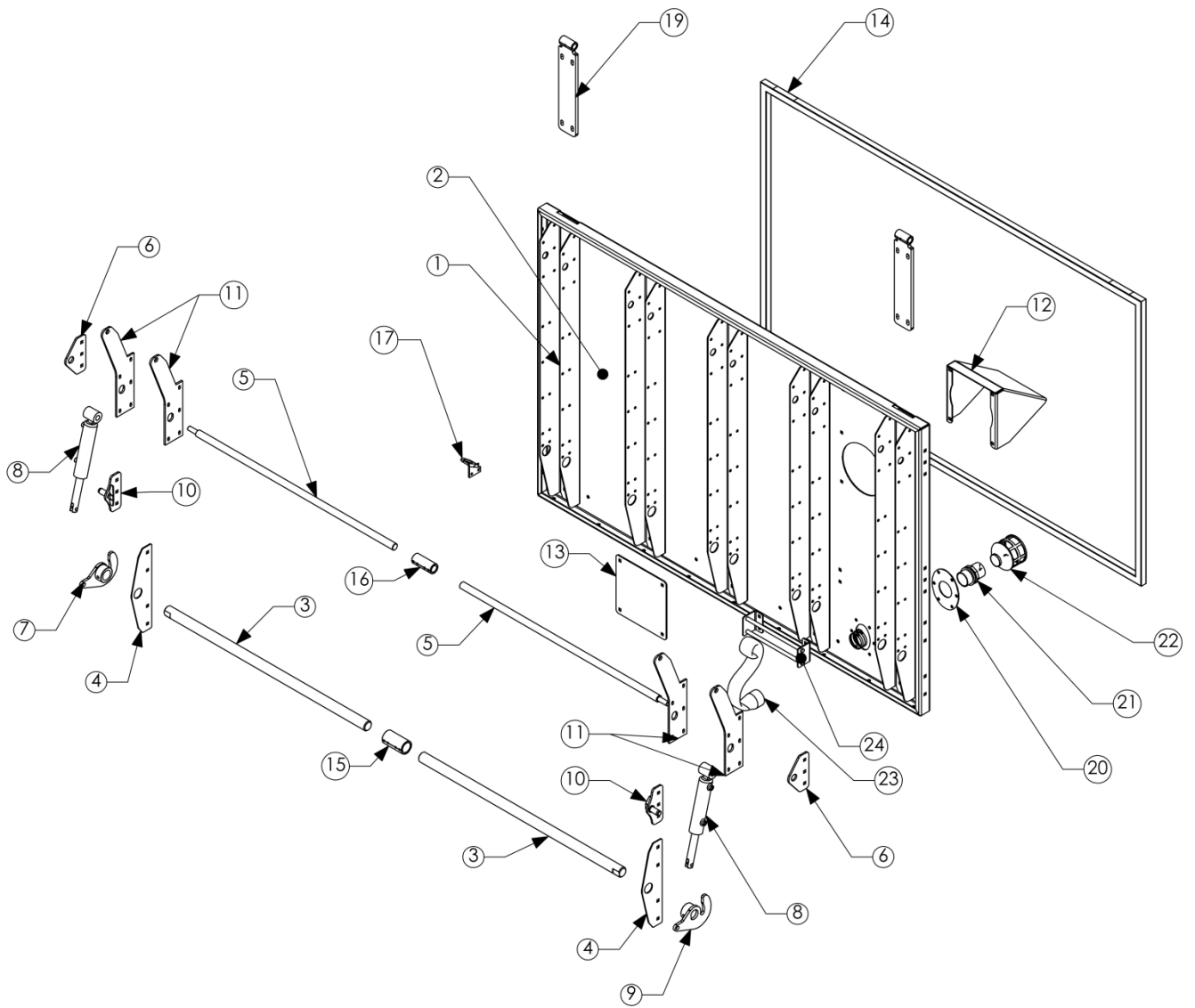
HOPPER INSPECTION DOOR ASSEMBLY
PART REQUIERMENT

ITEM #	QTY.	PART#	DISCRIPTION
1	1	15226	HOPPER INSPECTION DOOR
2	1	9072-68	INSPECTION DOOR SEAL
3	1	9081	SHROUD LATCH SS

DUMP DOOR ASSEMBLY

EXPLODED VIEW

PART# 80196



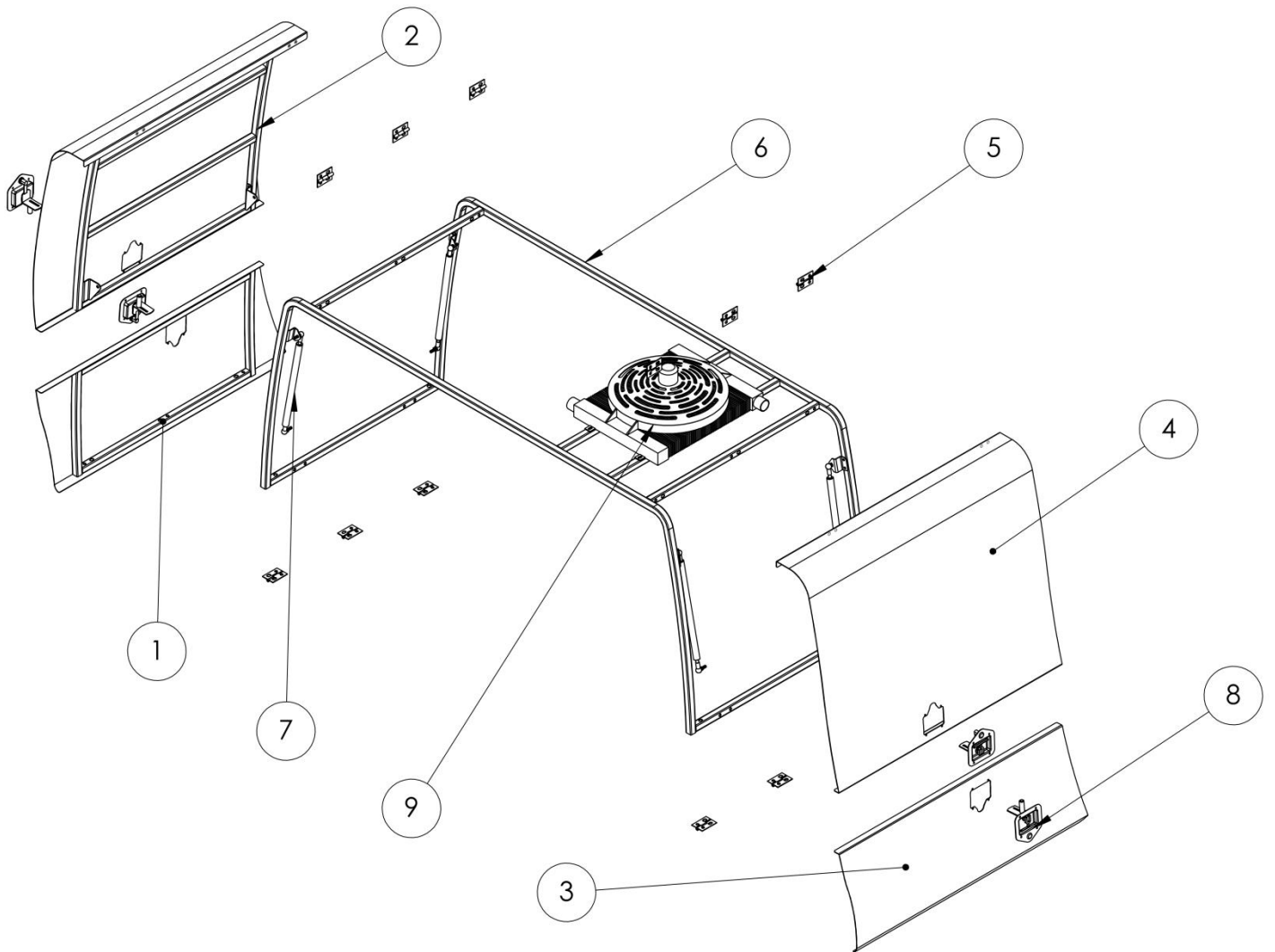
DUMP DOOR ASSEMBLY
PART REQUIERMENT

ITEM #	QTY.	PART#	DISCRIPTION
1	5	15253	DUMP DOOR INNER VERTICAL BRACE
2	1	15252	HOPPER DUMP DOOR PANEL
3	2	15234	DUMP DOOR LATCH ROD
4	2	15235	RETAINER PLATE LATCH ROD
5	2	15236	DUMP DOOR CYLINDER PIN ROD
6	2	15237	CYLINDER PIN ROD SUPPORT PLATE
7	1	15229	LH LATCH CAM
8	2	15239	DOOR LATCH CYLINDER
9	1	15230	RH CAM LATCH
10	2	15231	LATCH CYLINDER MOUNTING BRACKET
11	4	15233	CONNECTING BAR HINGE PLATE
12	1	15710	HAND HOSE DEFLECTOR
13	1	15238	COVER PLATE
14	1	9114-242	RECTANGLE SEAL
15	1	15240	COUPLING DOOR LATCH ROD
16	1	15241	COUPLING DOOR CYLINDER ROD
17	1	15805	PROX MOUNT LATCH
19	2	15228	DUMP DOOR HINGE
20	1	15232	DRAIN MOUNTING PLATE
21	1	1392	THREADED NIPPLE
22	1	1393	STRANER
23	1	HOSE	3" HOPPER DRAIN HOSE
24	1	15256	HOSE RACK HOPPER DRAIN

SHROUD ASSEMBLY

EXPLODED VIEW

PART# 80178



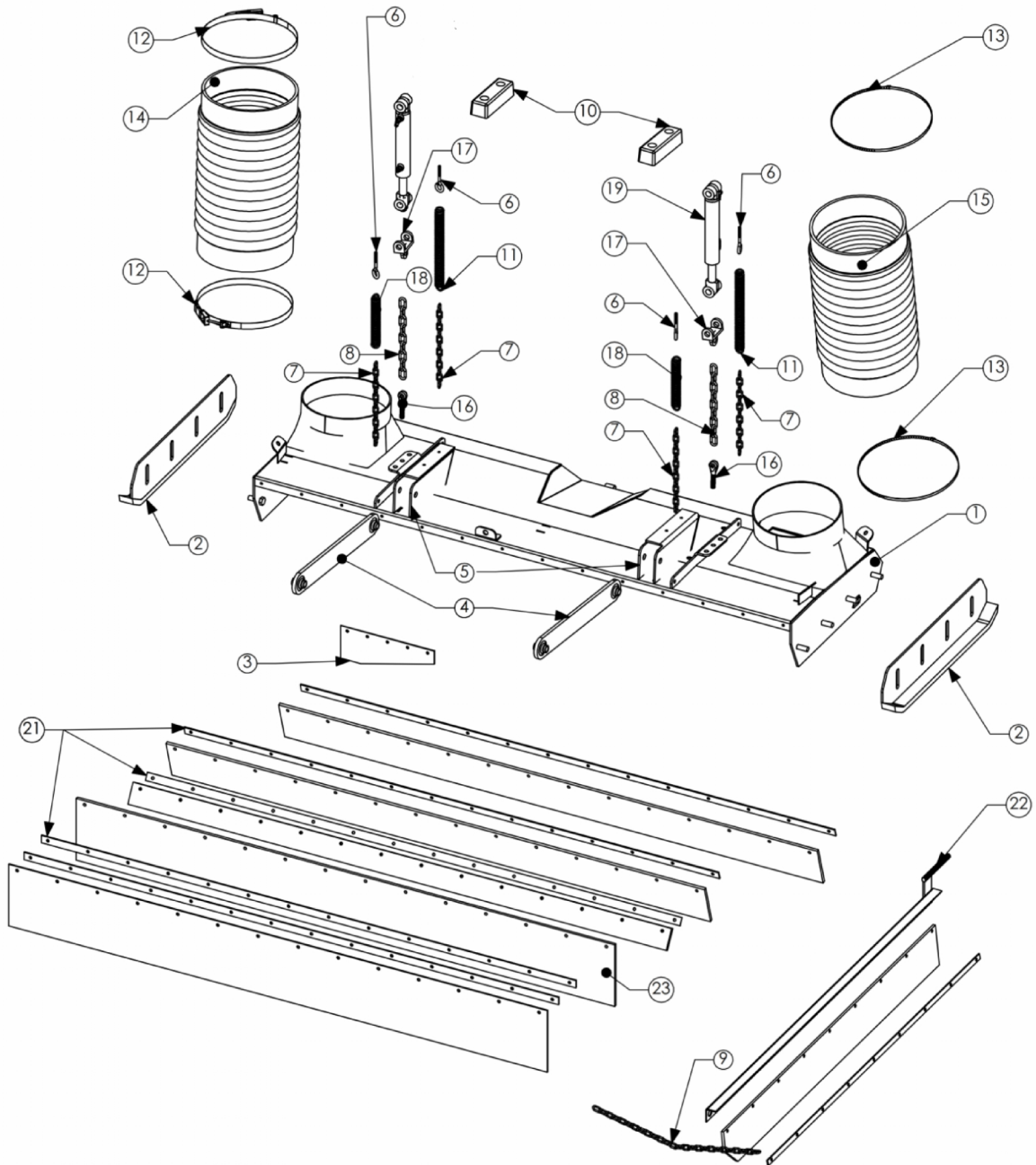
SHROUD ASSEMBLY
PART REQUIREMENT

ITEM #	QTY.	PART#	DISCRIPTION
1	1	80201	LOWER SHROUD DOOR RH
	1	15305	LOWER DOOR FRAME
	1	15307	LOWER SHROUD DOOR SKIN RH
2	1	80200	UPPER SHROUD DOOR RH
	1	15303	UPPER DOOR FRAME
	1	15306	UPPER SHROUD DOOR SKIN RH
3	1	80199	LOWER SHROUD DOOR LH
	1	15305	LOWER DOOR FRAME
	1	15304	LOWER SHROUD DOOR SKIN RH
4	1	80198	UPPER SHROUD DOOR LH
	1	15303	UPPER DOOR FRAME
	1	15302	UPPER SHROUD DOOR SKIN LH
5	12	15308	PIANO HINGE SS
6	1	15300	SHROUD FRAME
7	4	9095	GAS SPRING
8	4	9081	SHROUD LATCH SS
9	1	1120	HYDRAULIC OIL COOLER

COMPLETE HEAD ASSEMBLY

EXPLODED VIEW

PART# 80179



COMPLETE HEAD ASSEMBLY

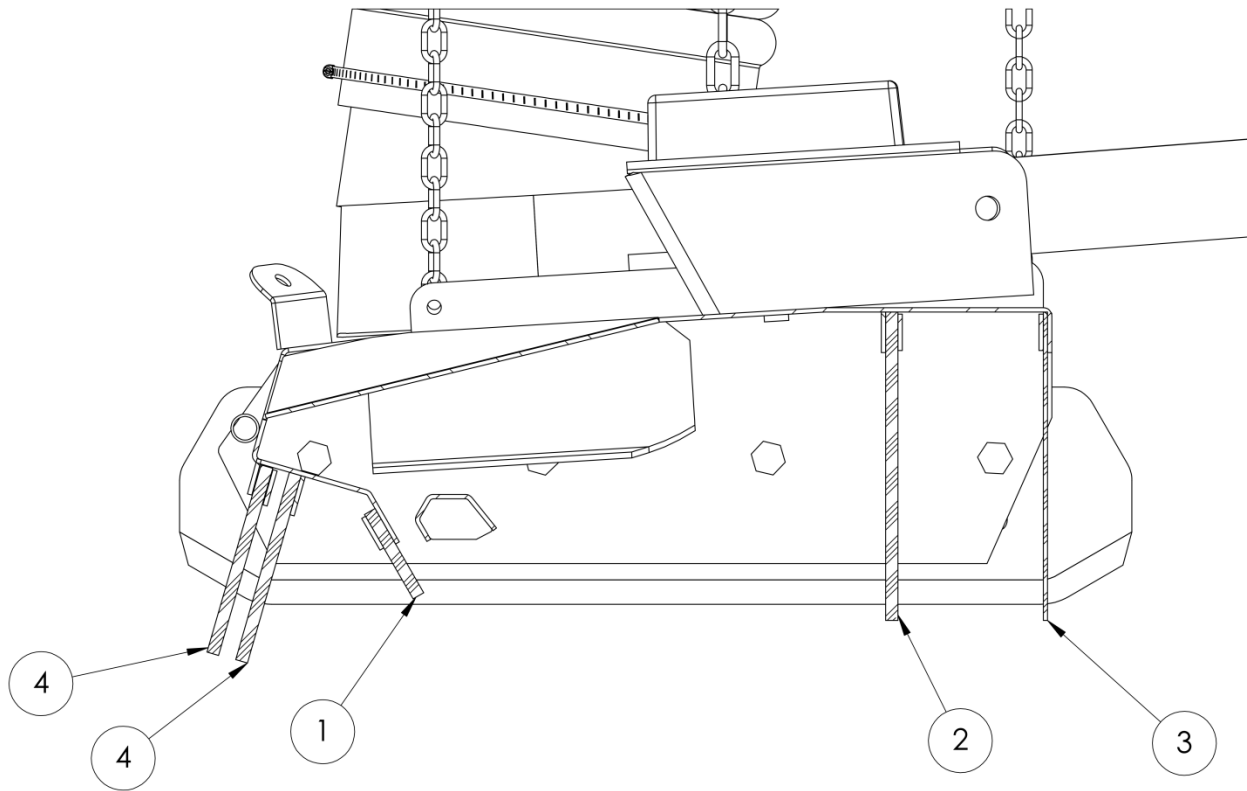
PART REQUIERMENT

ITEM NO.	QTY.	PART NUMBER	DESCRIPTION
1	1	15404	HEAD CHANNEL
2	2	15405	SKID PLATE HEAD
3	1	15406	HEAD INTAKE EXTENSION
4	2	15418	DRAG ARM
5	1	15412	HEAD MOUNTING BRACKET
6	4	1045	EYE BOLT
7	2	1137-7	CHAIN
8	4	1137-9	CHAIN
9	1	1137-7	CHAIN
10	2	9019	RUBBER BUMPER
11	2	9073	EXTENSION SPRING
12	2	9089	CLAMP
13	2	9134	CLAMP
14	2	9123	INTAKE TUBE12"
15	2	9135	INTAKE TUBE HD12"
16	2	9133	CLEVIS BOLT
17	2	15417	CYLINDER LINK
18	2	9109	EXTENSION SPRING
19	1	9112	CYLINDER
21	1	80211	HEAD FLAP KIT
22	1	15408	DEFLECTOR FLAP ASSEMBLY
23	5	15415	BACKING STRIP

HEAD FLAP KIT ASSEMBLY

EXPLODED VIEW

PART# 80211



HEAD FLAP KIT ASSYEMBLY

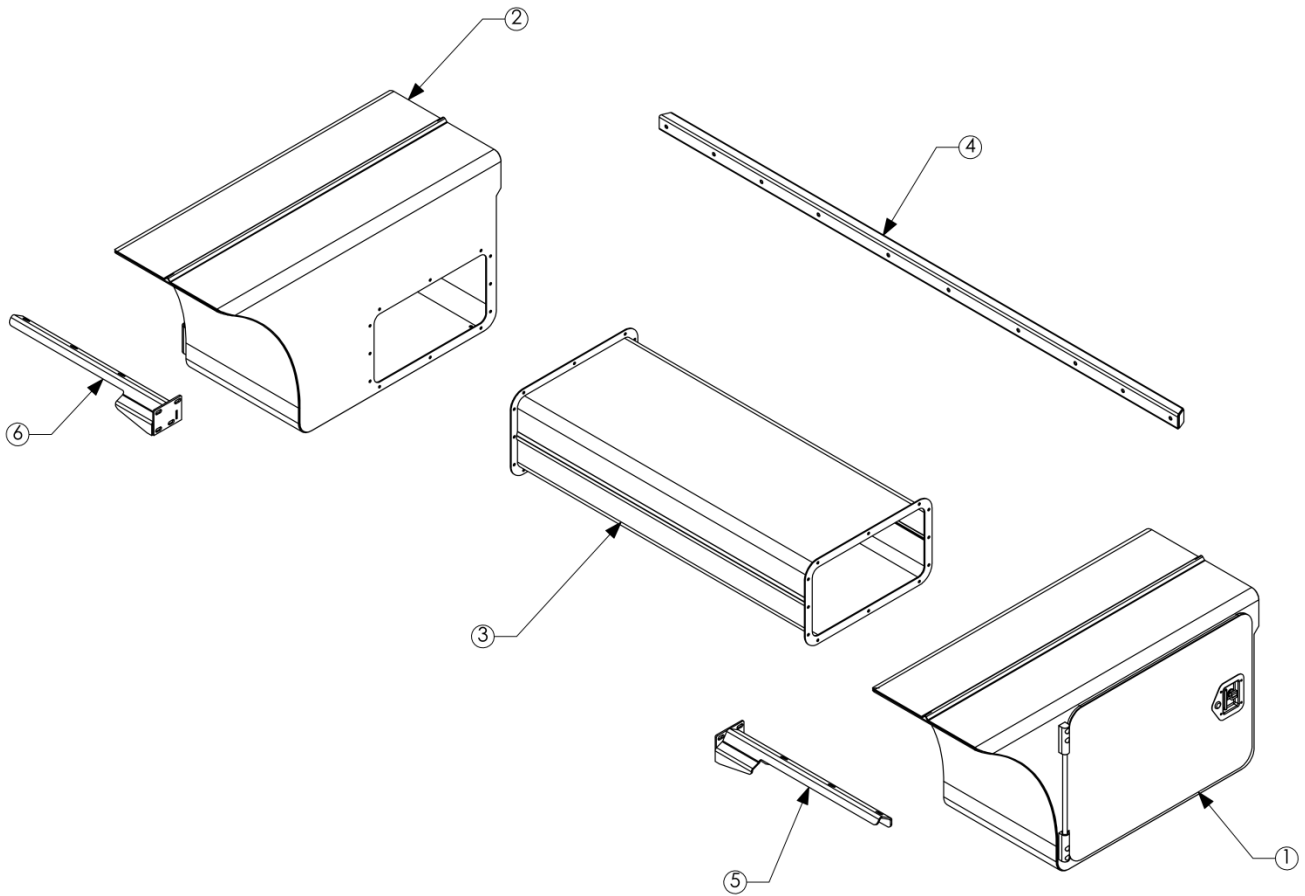
PARTS REQUIRMENTS

ITEM #	QTY.	PART#	DISCRIPTION
1	1	15403	BLAST ORIFICE FLAP
2	1	15401	MIDDLE FLAP
3	1	15400	FRONT FLAP
4	2	15402	REAR FLAP

COMPLETE TOOLBOX ASSEMBLY

EXPLODED VIEW

PART# 80181



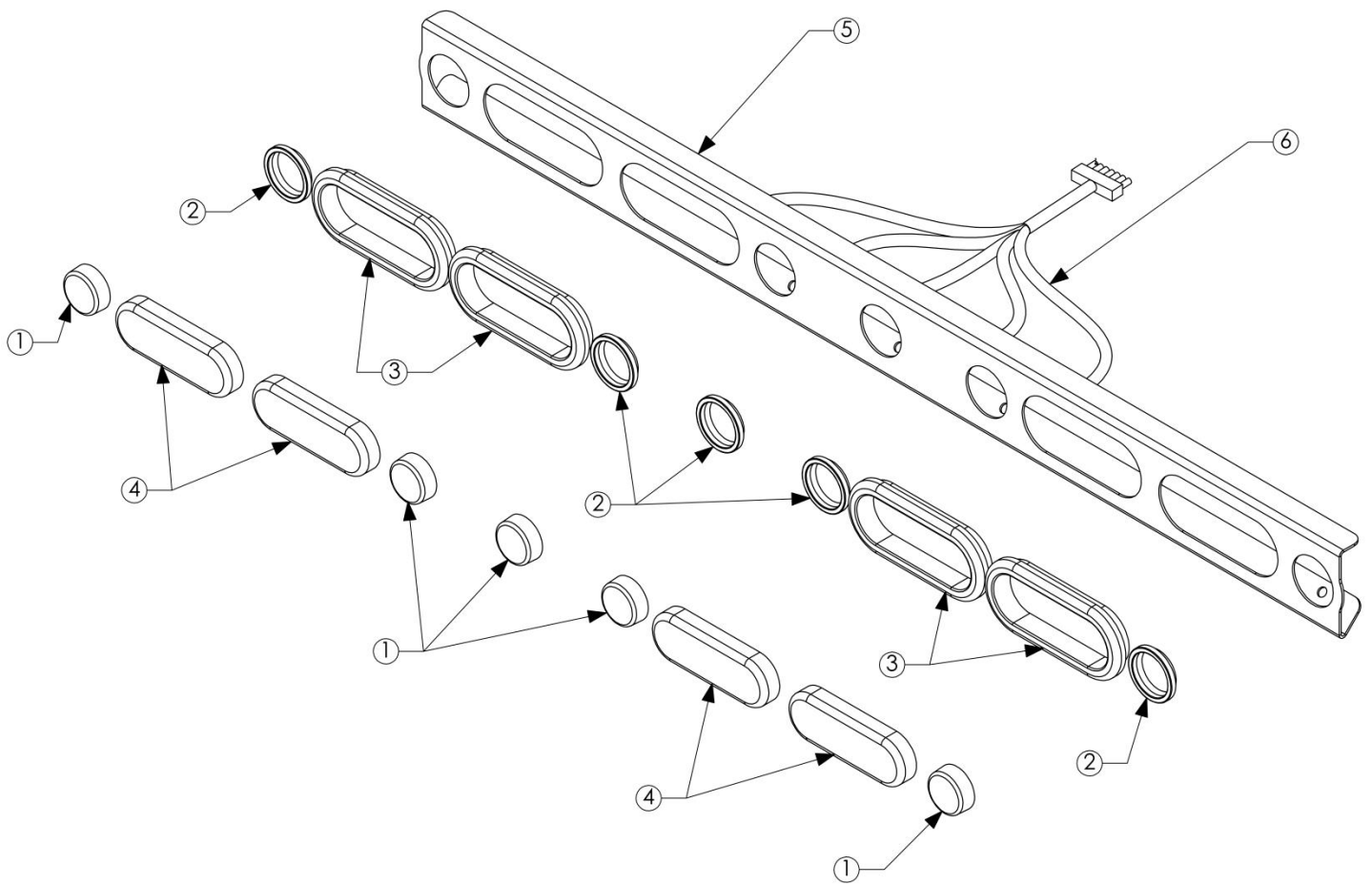
COMPLETE TOOLBOX ASSEMBLY
PART REQUIERMENT

ITEM #	QTY.	PART#	DISCRIPTION
1	1	80202	LH TOOLBOX ASSEMBLY
2	1	80204	RH TOOLBOX ASSEMBLY
3	1	15602	CROSSOVER TUBE TOOLBOX
4	1	15603	REAR MOUNTING TUBE TOOLBOX
5	1	15604	LH FRONT MOUNT TOOLBOX
6	1	15605	RH FRONT MOUNT TOOLBOX

REAR LIGHT BAR ASSEMBLY

EXPLODED VIEW

PART# 80197



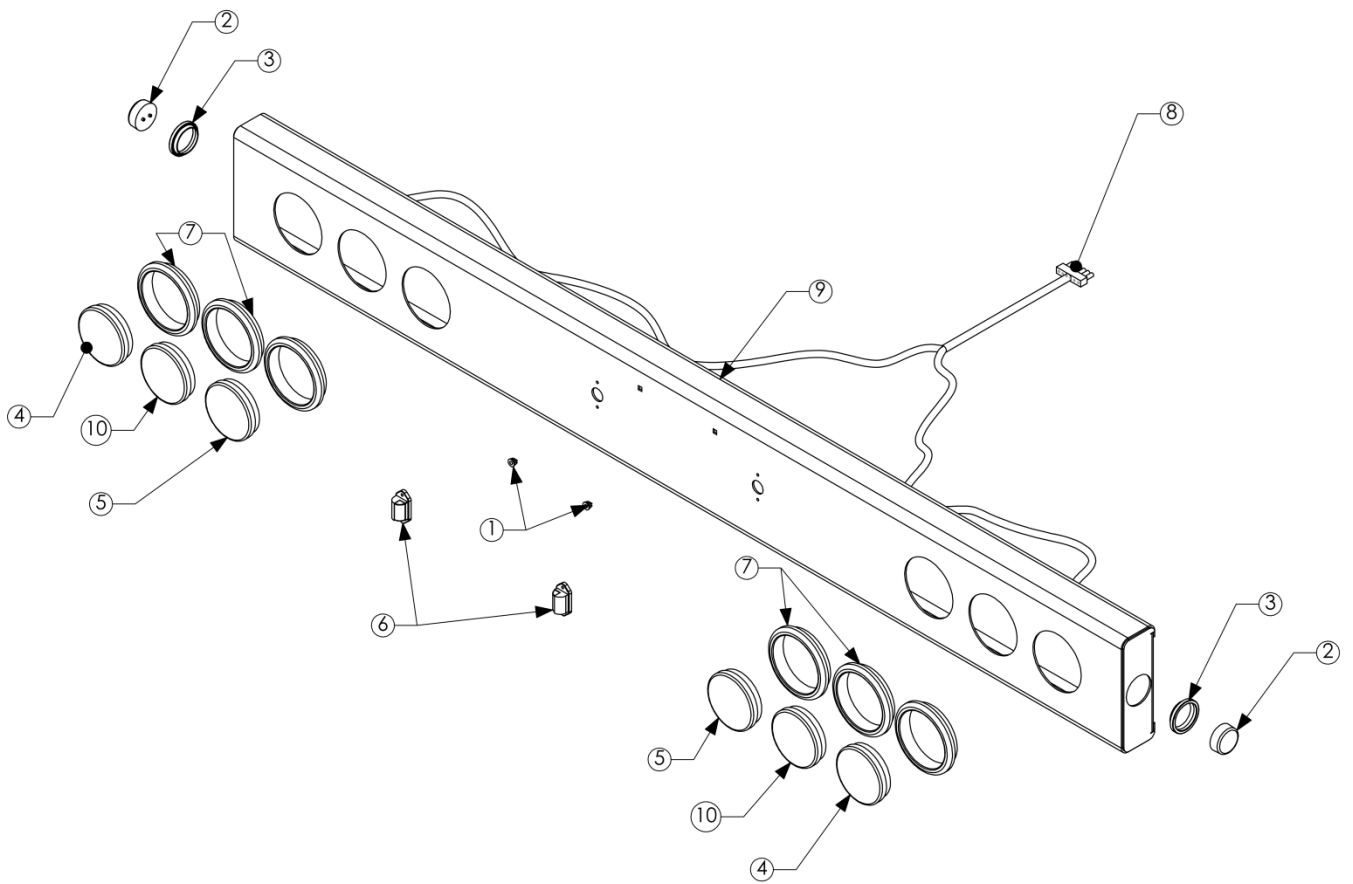
REAR LIGHT BAR ASSEMBLY
PART REQUIERMENT

ITEM #	QTY.	PART#	DISCRIPTION
1	5	1028	CLEARENCE LIGHT LED
2	5	1131	GROMMENT2-1/2"
3	4	9052	OVAL LIGHT GROMMET
4	4	9115	OVAL AMBER STROBE LIGHT 6-1\2
5	1	15242	LIGHT BAR
6	1	12518	WIRE HARNESS
7	1	12519	WIRE HARNESS

REAR BUMPER ASSEMBLY

EXPLODED VIEW

PART# 80180



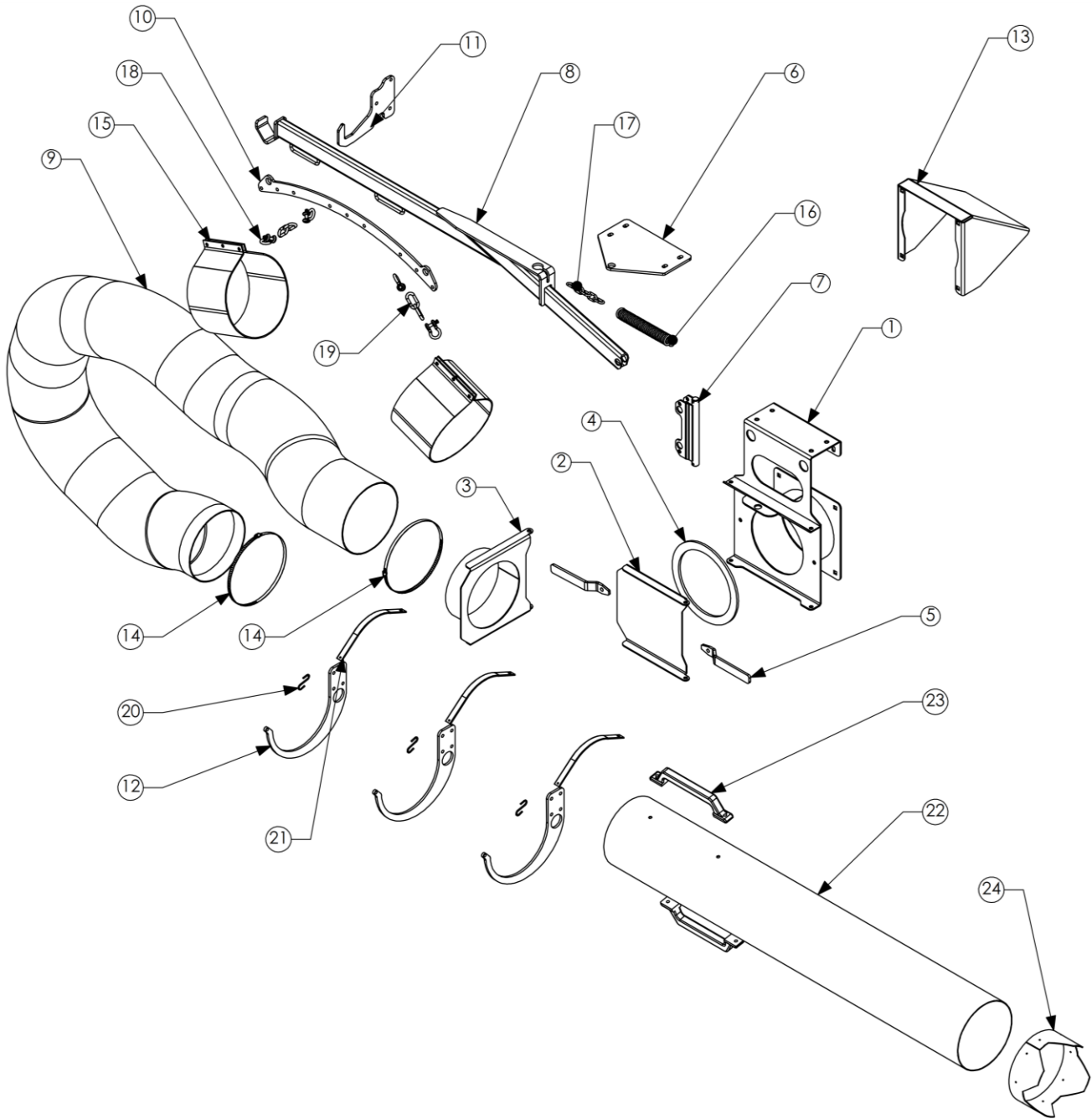
**REAR BUMPER ASSEMBLY
PARTS REQUIREMENTS**

ITEM #	QTY.	PART#	DISCRIPTION
1	2	9029	LICENSE PLATE SCREW RECEPTACLE
2	4	1028	CLEARENCE LIGHT(LED)
3	2	1131	GROMMENT 2-1/2"
4	2	1910	LED TURN AMBER
5	2	1911	LED BACK-UP
6	2	1908	LED LICENSE
7	6	1912	GROMMET
8	1	12517	BUMPER WIRING HARNESS
9	1	15500	REAR BUMPER
10	2	1909	ROUND RED TAIL LIGHT

8IN HAND HOSE ASSEMBLY

EXPLODED VIEW

PART# 80182



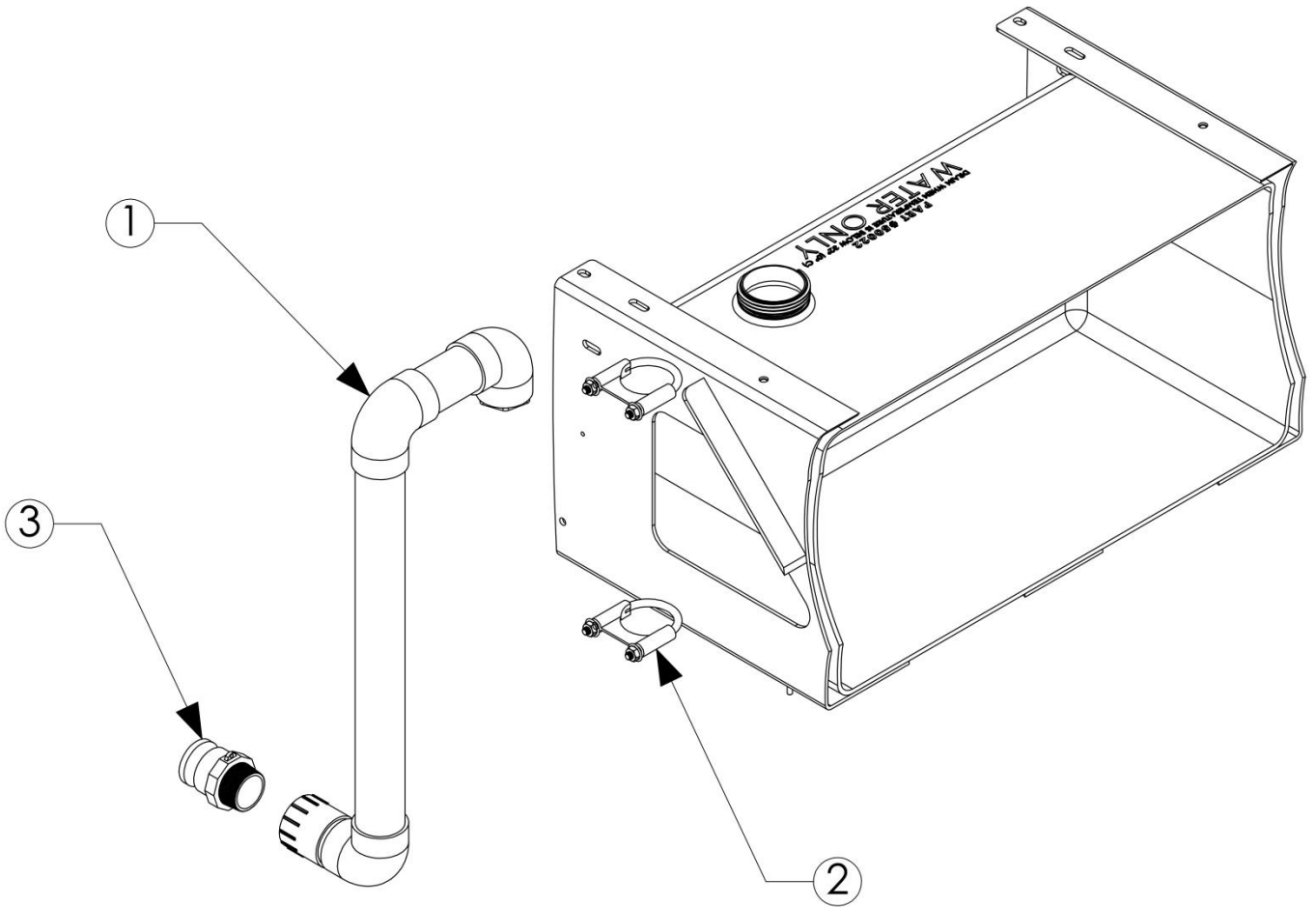
8IN HAND HOSE ASSEMBLY
PART REQUIERMENTS

ITEM #	QTY.	PART#	DISCRIPTION
1	1	15700	HAND HOSE MOUNTING BRACKET
2	1	15702	HAND HOSE COVER DOOR
3	1	15701	HAND HOSE TRANSITON DOOR
4	1	9072	HAND HOSE RUBBER SEAL
5	2	15703	HAND HOSE LATCH HANDLE
6	1	15704	HAND HOSE UPPER HINGE PLATE
7	1	15705	HAND HOSE PIVOT BRACKET
8	1	15714	HAND HOSE SPRING BOOM ARM
9	1	9113	HAND HOSE SECTION
10	1	15707	HAND HOSE BRIDGE PLATE
11	1	15708	HAND HOSE BOOM ARM REST
12	3	15709	HOSE BRACKET
13	1	15710	HAND HOSE REAR DOOR
14	2	9117	HOSE CLAMP
15	2	15711	HAND HOSE RUBBER HANGER
16	1	9109	EXTENTION SPRING
17	1	9059	CHAIN
18	4	1923	Q-LINK
19	2	9058	CHAIN LINK ASSEMBLY
20	3	9118	S-HOOK
21	3	9119	STRAP
22	1	15706	HAND HOSE WAND TUBE
23	2	9116	PLASTIC HANDLE
24	1	15715	HAND HOSE WAND TIP

HYDRANT FILL TUBE ASSEMBLY

EXPLODED VIEW

PART# 80186

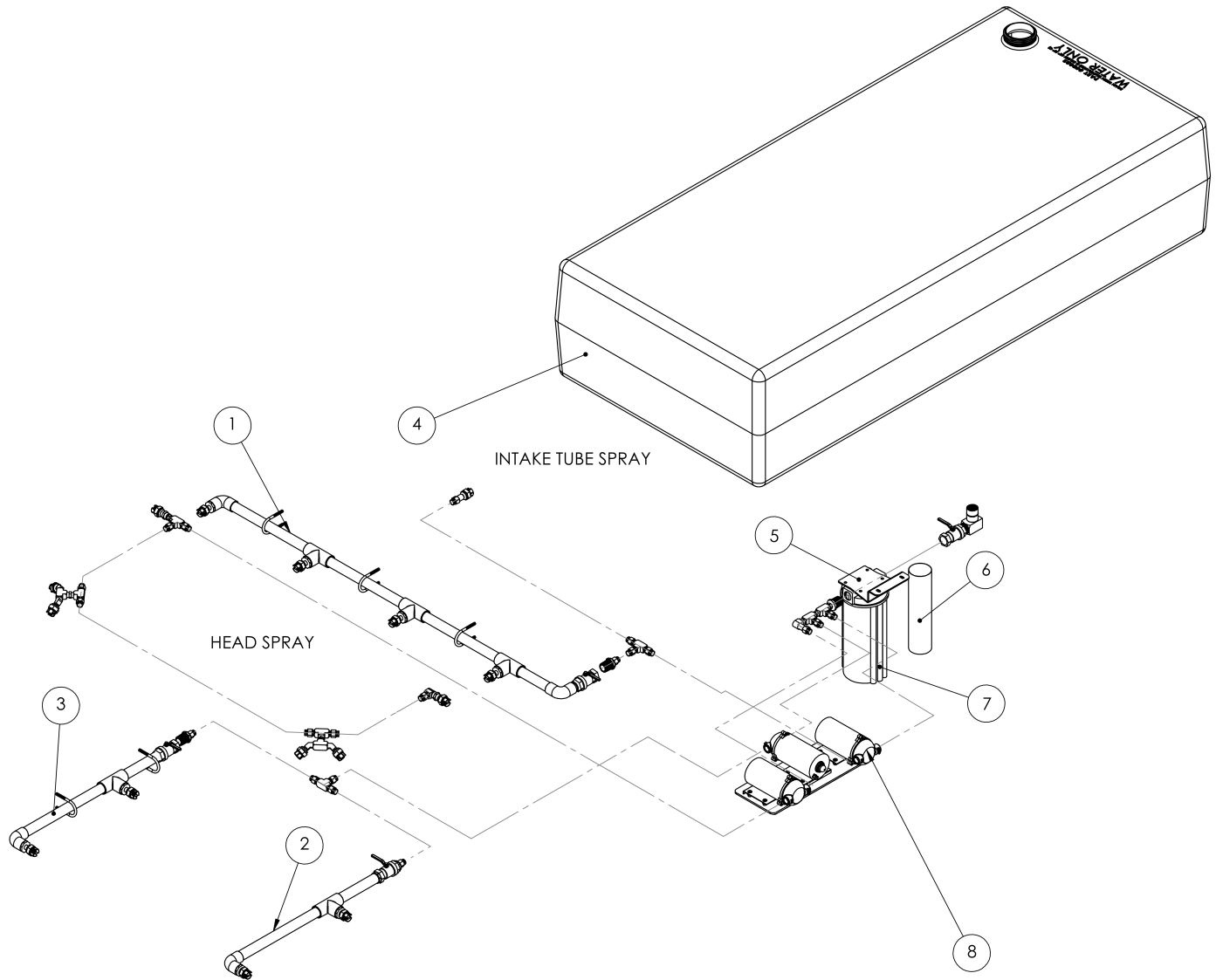


HYDRANT FILL TUBE ASSEMBLY
PARTS REQUIERMENT

ITEM #	QTY.	PART#	DISCRIPTION
1	1	15005	HYDRANT FILL TUBE PIPE
2	2	9084	CLAMPING U-BOLT
3	1	9105	ADAPTOR QUICK DISCONNECT
4	1	9102	FIRE HOSE 25'(NOT SHOWN)
5	2	9103	STEEL NIPPLE (NOT SHOWN)
6	1	9107	ALUMINUM DUST CAP (NOT SHOWN)
7	4	9076	HOSE CLAMP(NOT SHOWN)
8	1	9104	BRASS HYDRANT COUPLING(NOT SHOWN)
9	1	9106	ADAPTOR QUICK DISCONNECT

DUST SUPPRESSION SYSTEM

FULL VIEW



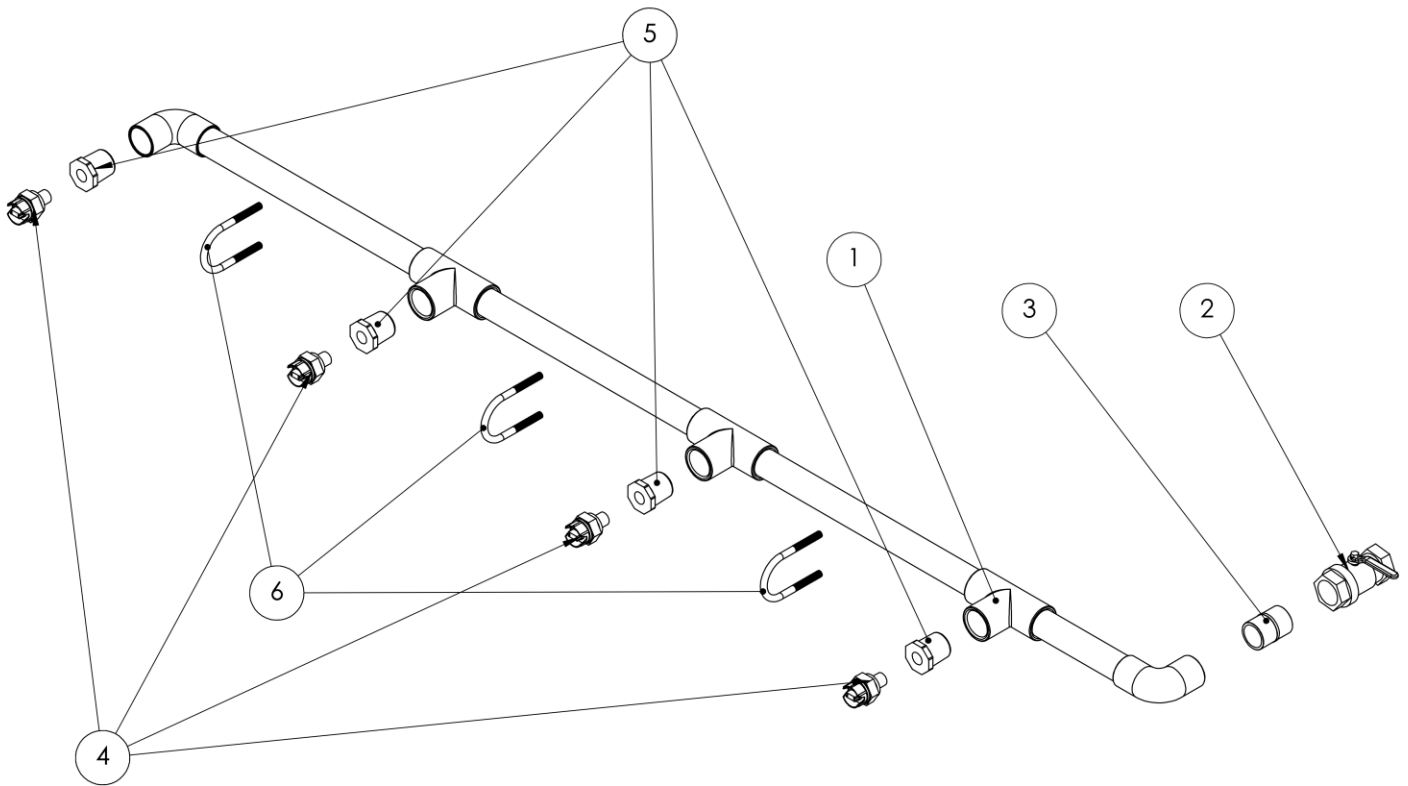
**DUST SUPPRESSION SYSTEM
PARTS REQUIREMENTS**

ITEM #	QTY.	PART#	DISCRIPTION
1	1	42201	FRONT SPRAY BAR
2	1	42203	GB SPRAY BAR RH
3	1	42203	LH GB SPRAY BAR
4	1	15004	WATER TANK 200gal
5	1	15025	FILTER MOUNT
6	1	1172	WATER FILTER SCREEN MESH
7	1	1117	WATER FILTER
8	2	9035	WATER PUMP

FRONT SPRAY BAR ASSEMBLY

EXPLODED VIEW

PART # 42201



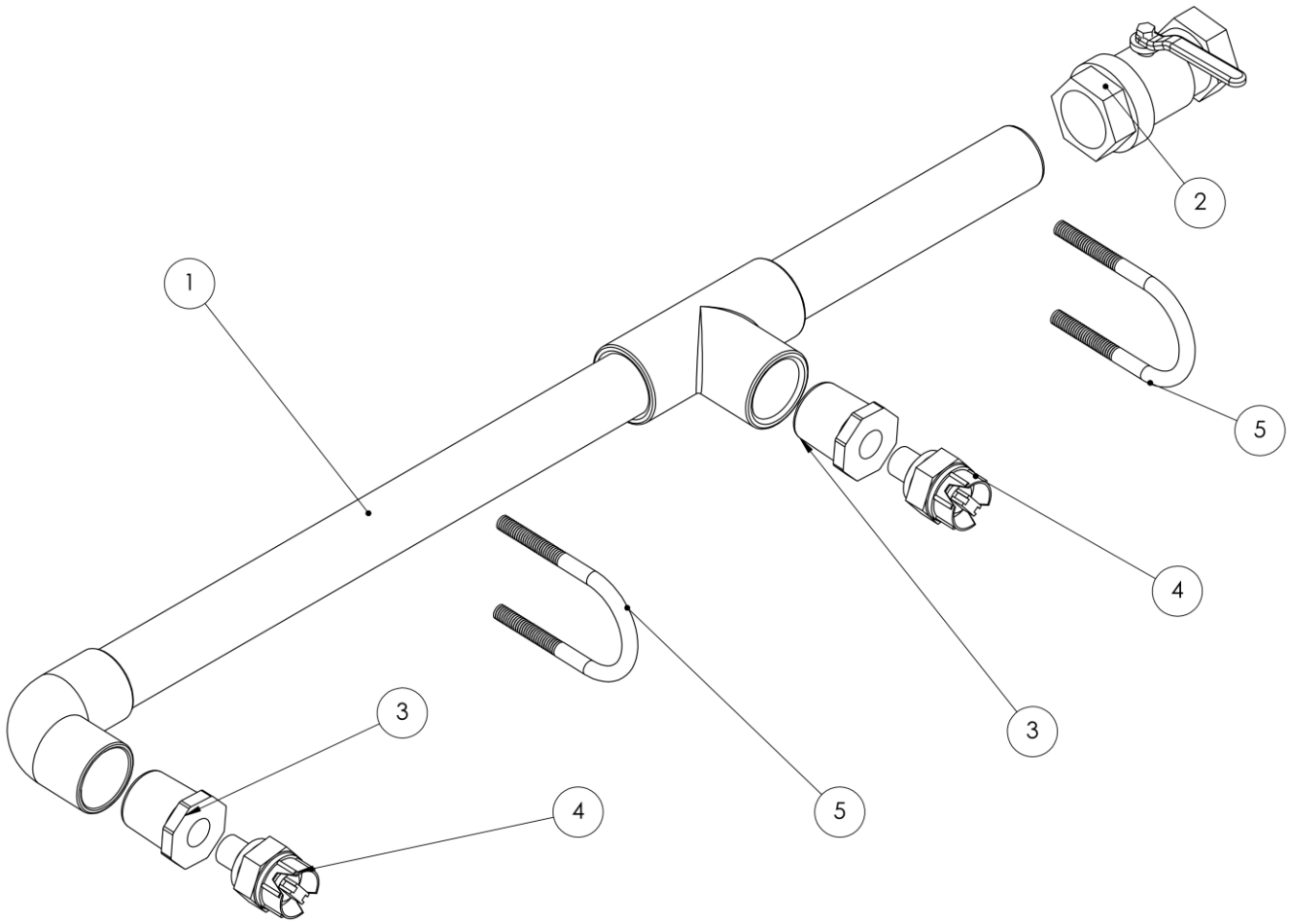
FRONT SPRAY BAR ASSEMBLY
PARTS REQUIRMENTS

ITEM #	QTY.	PART#	DISCRIPTION
1	1	42201	FRONT SPRAY BAR
2	1	1204	BALL VALVE
3	1	1223	NIPPLE
4	1	1164	SPRAY NOZZLE
5	5	1162	BUSHING PVC
6	3	9070	U-BOLT

GUTTER BROOM SPRAY BAR

EXPLODED VIEW

PART# 42203



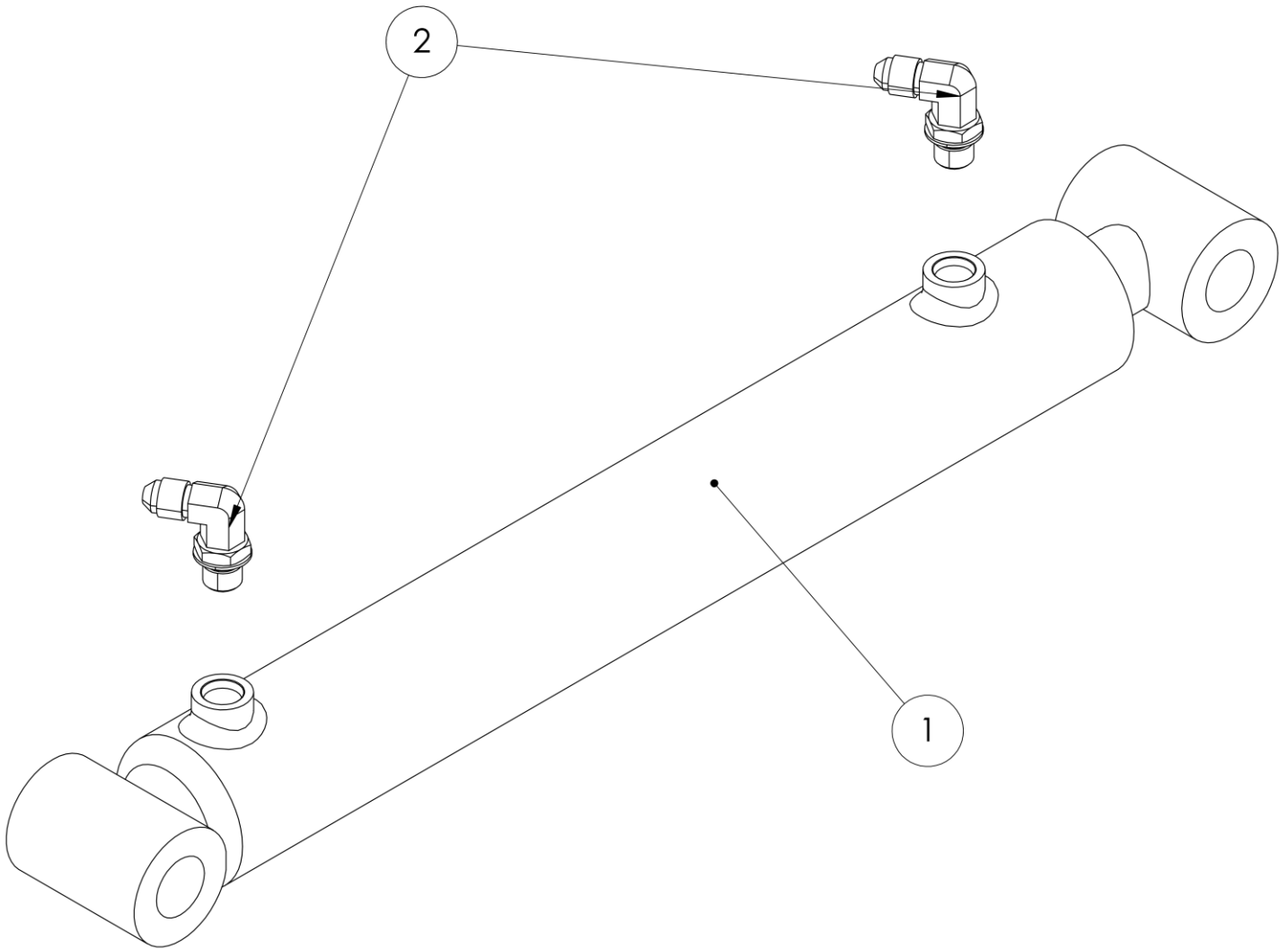
GUTTER BROOM SPRAY BAR
PART REQUIREMENTS

ITEM #	QTY.	PART#	DISCRIPTION
1	1	42203	SPRAY BAR
2	1	1204	BALL VALVE
3	2	1162	BUSHING PVC
4	2	1164	SPRAY NOZZLE
5	2	9070	U-BOLT

DUMP DOOR CYLINDER

EXPLODED VIEW

PART# 9112



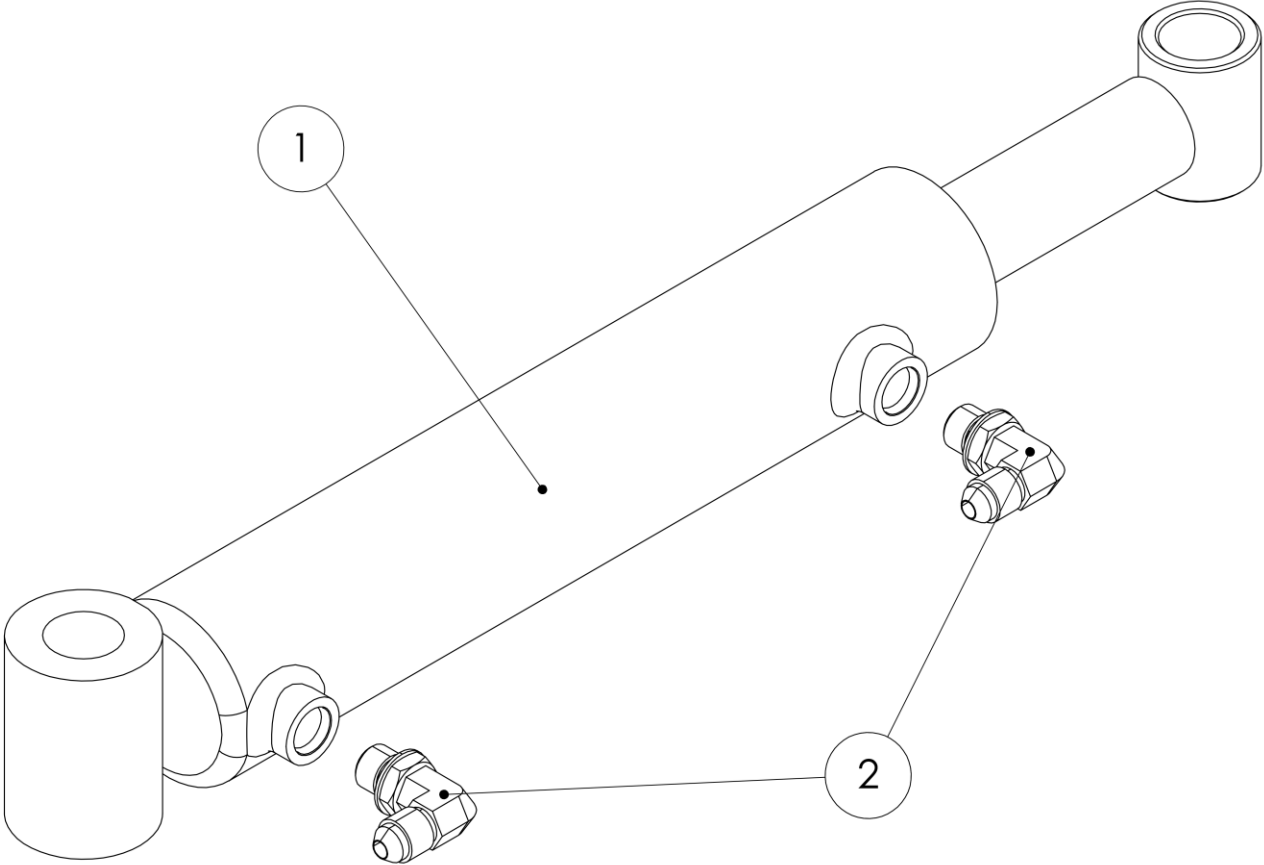
**DUMP DOOR CYLINDER
KIT REQUIERMENT**

ITEM #	QTY.	PART#	DISCRIPTION
1	1	9112	DUMP DOOR CYLINDER
2	2	9065	ELBOW

PICKUP CYLINDER

EXPLODED VIEW

PART# 9120



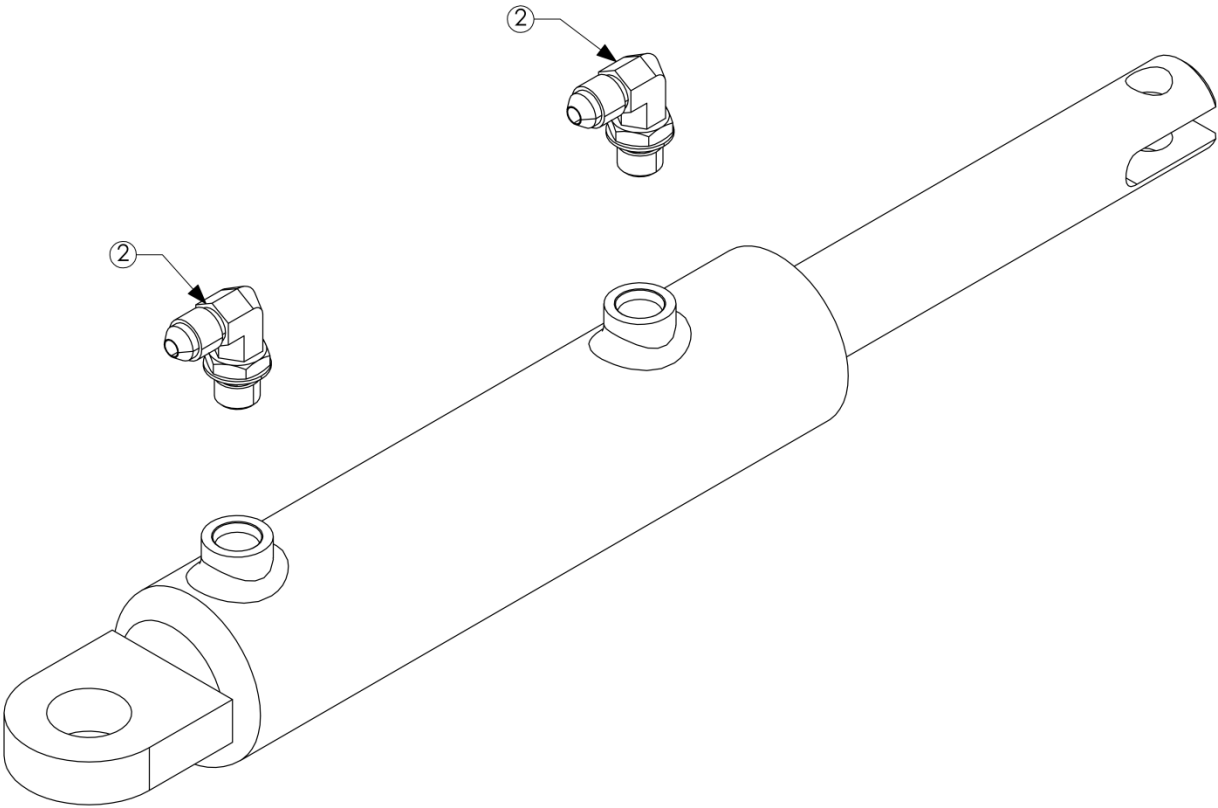
**PICKUP CYLINDER
PART REQUIREMENT**

ITEM #	QTY.	PART#	DISCRIPTION
1	1	9120	PICKUP CYLINDER
2	2	1170	ELBOW

LATCH CYLINDER

EXPLODED VIEW

PART# 9110



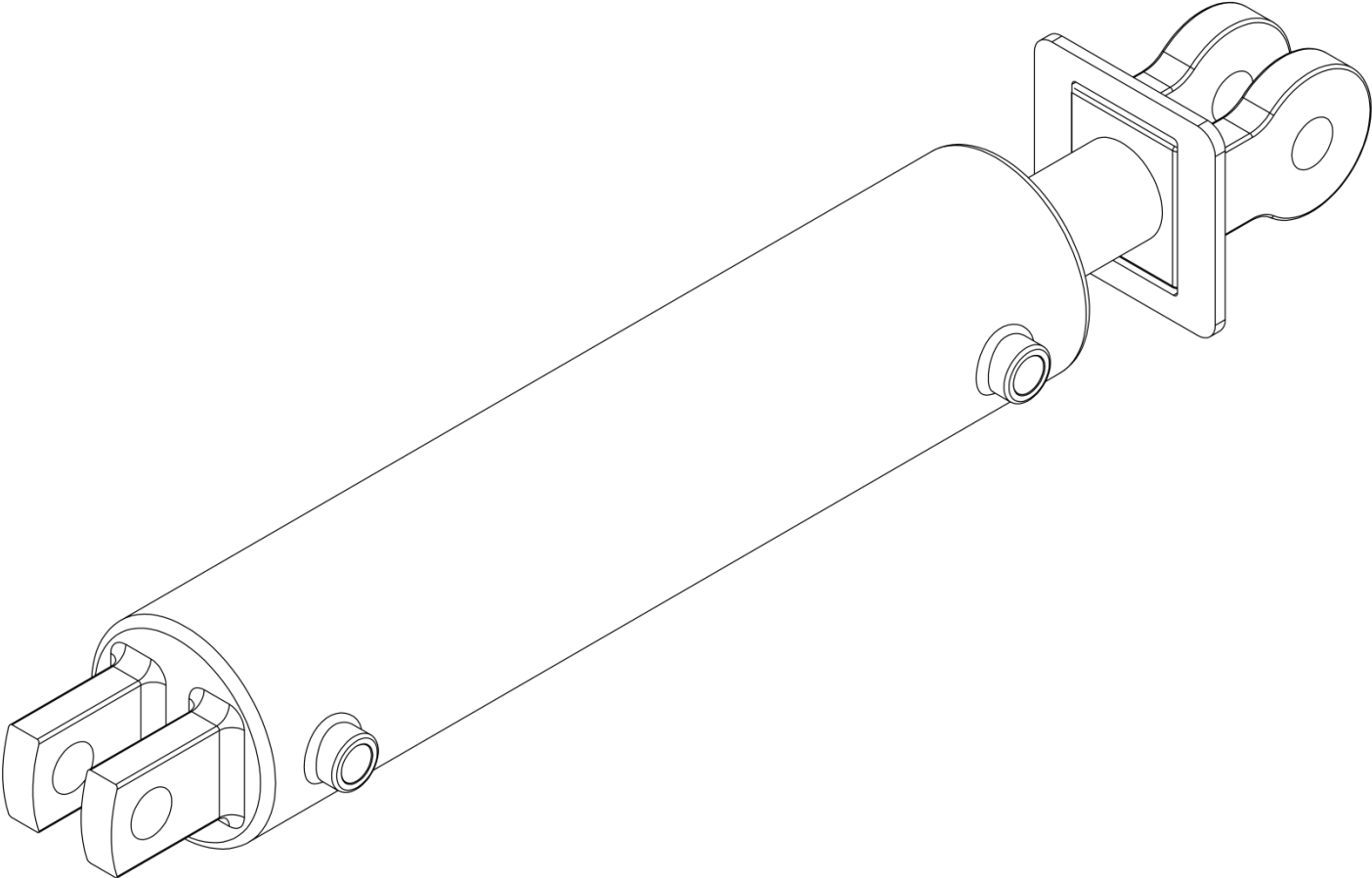
**LATCH CYLINDER
PART REQUIREMENT**

ITEM #	QTY.	PART#	DISCRIPTION
1	1	9110	LATCH CYLINDER
2	2	1170	ELBOW

DUMP CYLINDER

EXPLODED VIEW

PART# 15111

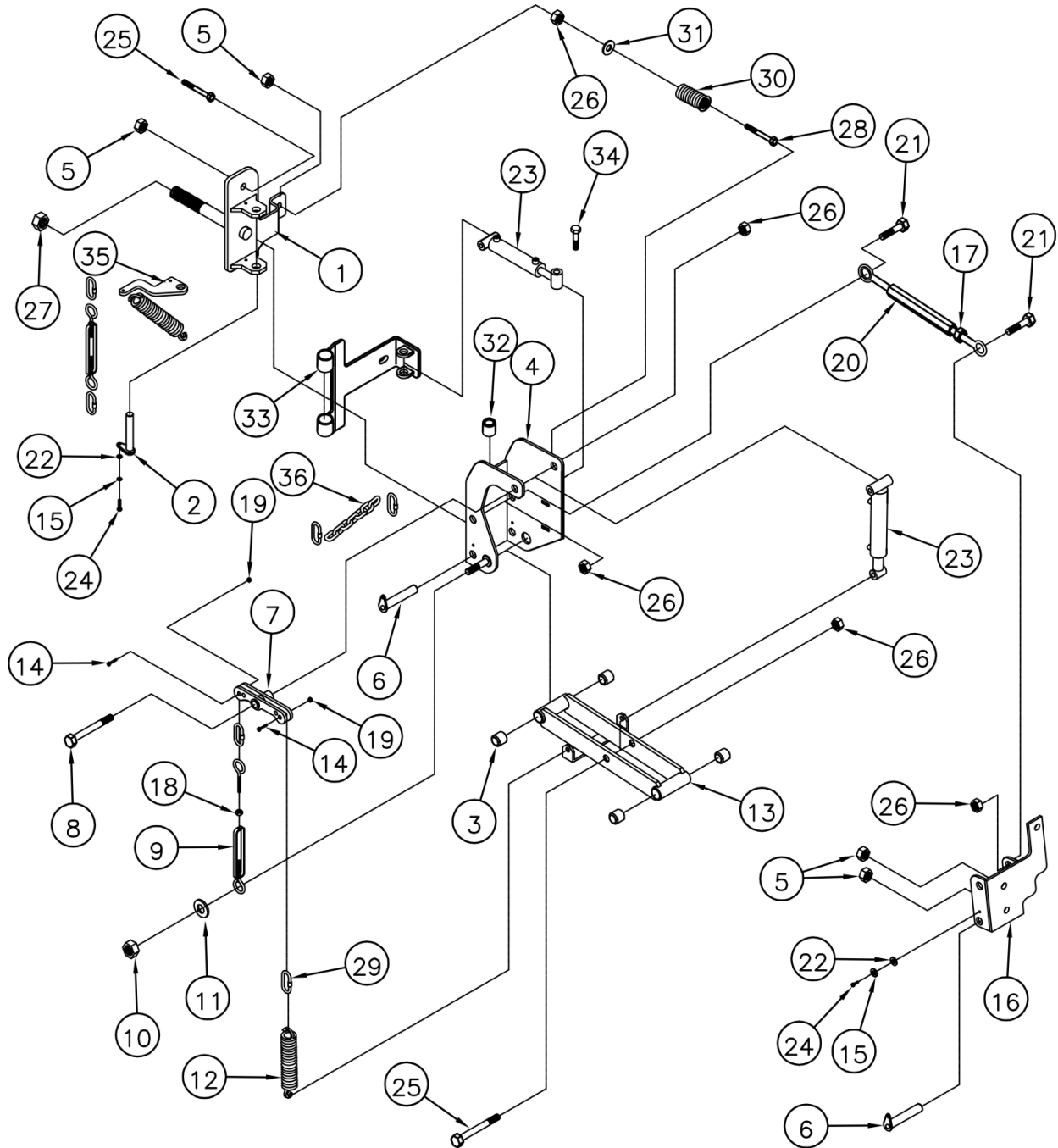


**DUMP CYLINDER
PART REQUIREMENT**

ITEM #	QTY.	PART#	DISCRIPTION
1	1	9122	DUMP CYLINDER
2	2	15112	SAFETY PLATE DUMP CYL

GUTTER BROOM UPPER ASSEMBLY

EXPLODED VIEW



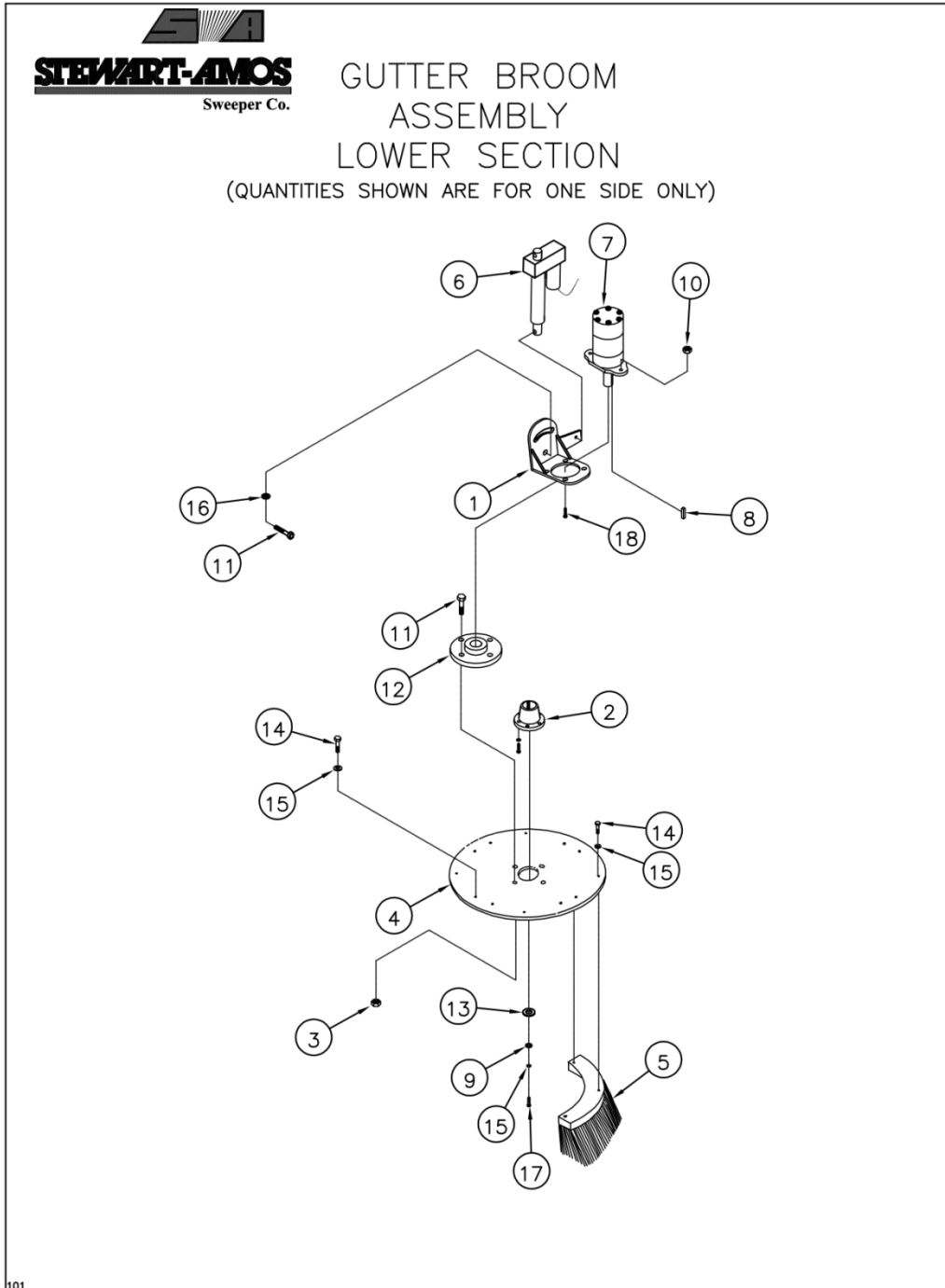
GUTTER BROOM UPPER ASSEMBLY

PART REQUIREMENT

	ITEM #	QTY.	PART#	DISCRIPTION
(QUANTITIES SHOWN ARE FOR ONE SIDE ONLY)	1	1	61201	GB MOUNT (LEFT HAND)
		1	61301	GB MOUNT (RIGHT HAND)
	2	1	61213	PIN
	3	4	1020	BUSHING
	4	1	61203	GB PIVOT (LEFT)
		1	61303	GB PIVOT (RIGHT)
	5	5	1506	NUT
	6	2	41211	PIN
	7	1	41215	SPRING BELL CRANK
	8	1	1561	BOLT
	9	1	1023	TURN BUCKLE
	10	1	1505	NUT
	11	1	1581	WASHER
	12	2	1018	SUSPENSSION SPRING
	13	1	41221	LINK
	14	2	1540	BOLT
	15	3	1670	WASHER
	16	1	41205	LINKAGE MOUNT (LEFT)
		1	41305	LINKAGE MOUNT (RIGHT)
	17	2	1642	NUT
	18	1	1640	NUT
	19	2	9119	NUT
	20	2	1022	TURN BUCKLE
	21	5	1559	BOLT
	22	3	1822	WASHERS
	23	2	1379	GB CYLINDER
	24	3	1537	BOLT
	25	2	1556	BOLT
	26	7	1507	NUT
	27	1	1508	NUT
	28	1	1574	BOLT
	29	4	1042	QUICK LINK
	30	1	1019	RETRACT SPRING
	31	2	1526	WASHER
	32	4	1185	BUSHING
	33	1	61235	RETRACT PLATE (LEFT)
	1	61335	RETRACT PLATE (RIGHT)	
34	2	1560	BOLT	
35	1	41230	EXTEND SPRING MOUNT	
36	1	9137	1/4" -15" CABLE	

GUTTER BROOM LOWER ASSEMBLY

EXPLODED VIEW



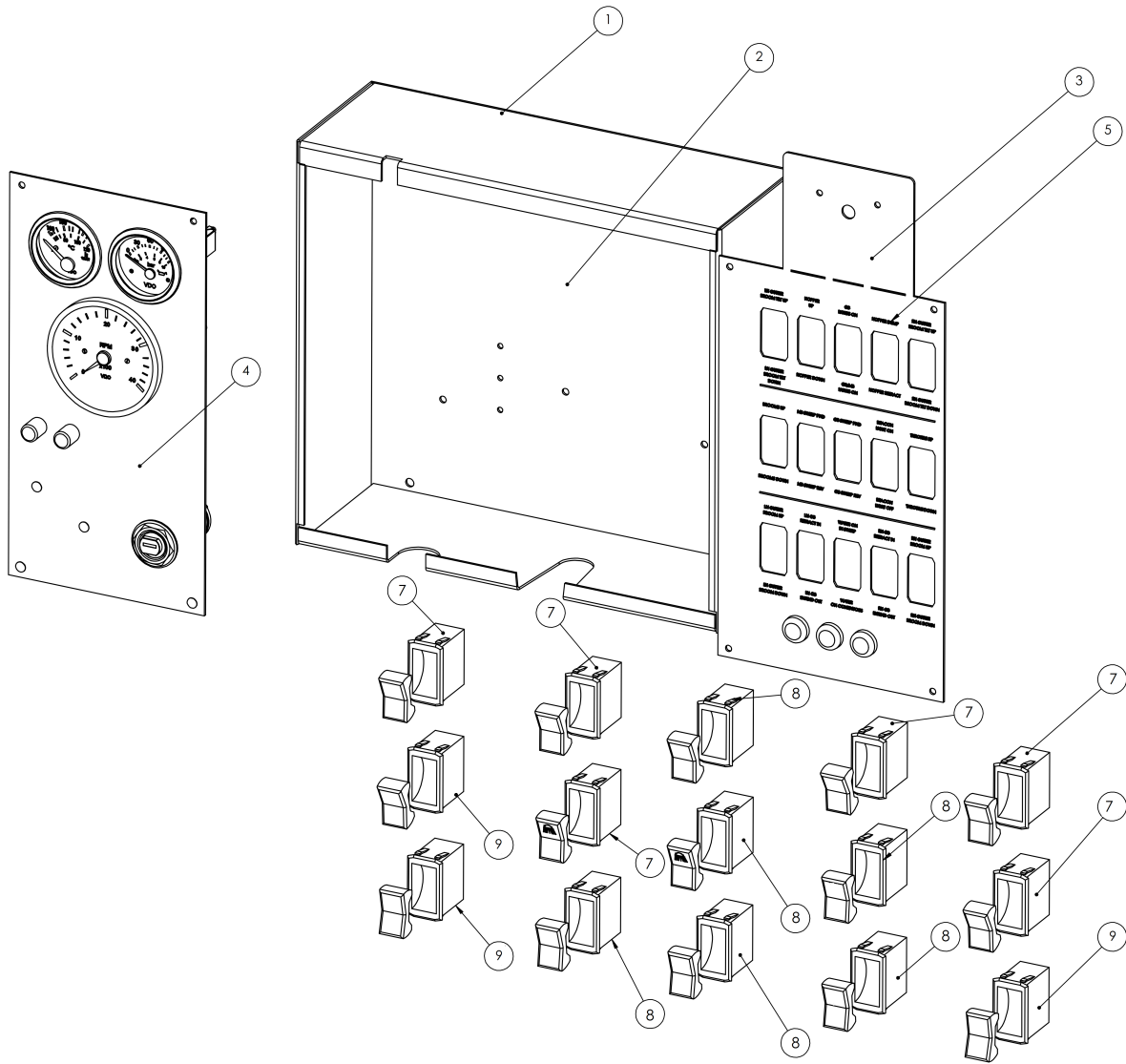
**GUTTER BROOM LOWER ASSEMBLY
PART REQUIREMENT**

ITEM #	QTY.	PART#	DISCRIPTION
1	1	41207	MOTOR MOUNT (LEFT HAND)
	1	41318	MOTOR MOUNT (RIGHT HAND)
2	1	3248	BUSHING
3	4	1506	NUT
4	1	41227	32" PLATE
5	1	1148	GB BRUSH SET FOR 32" PLATE
6	1	1078	LINEAR ACTUATOR
7	1	3243	MOTOR
8	1	1145	OFFSET KEY
9	1	1822	WASHERS
10	2	1505	NUT
11	4	1549	BOLT
12	1	41209	DRIVE HUB
13	1	1526	WASHER
14	24	1540	BOLT
15	5	1670	WASHER
16	2	1525	WASHER
17	3	1537	BOLT
18	2	1546	BOLT
19	1	1770	CAMERA(not shown)
20	1	1768	CAMERA CABLE(not shown)

CONSOLE ASSEMBLY

EXPLODED VIEW

PART # 80209



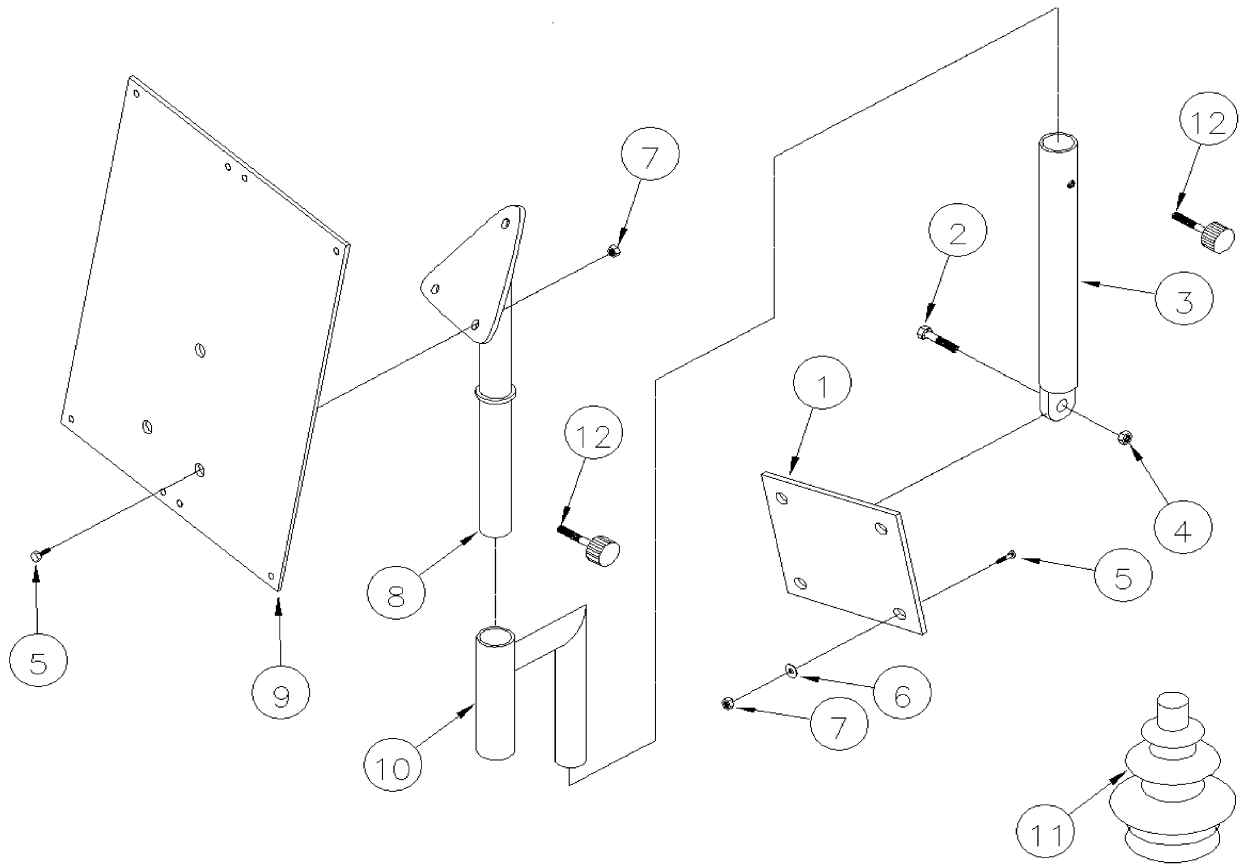
CONSOLE PARTS

REQUIREMENTS ASSEMBLY

ITEM #	QTY.	PART#	DISCRIPTION
1	1	62505	SWITCH BOX
2	1	62506	SWITCH BOX MOUNT PANEL
3	1	12510	SWITCH PANEL
4	1	42529	ENGINE PANEL
5	1	12511	SWITCH PANEL DECAL
6	4	1689	HOLE PLUGS
7	5	1686	MOM SWITCH
8	6	1684	SOS SWITCH
9	3	1685	MOS SWITCH
10	1	42527	ENGINE CONTROL HARNESS (NOT SHOWN)
11	1	12515	HARNESS SWITCH BOX (NOT SHOWN)
12	14	1969	RED SWITCH COVERS (NOT SHOWN)
13	1	1968	GREEN SWITCH COVER (NOT SHOWN)
15	7	1947	RELAYS (NOT SHOWN)
16	1	1971	PCB(NOT SHOWN)
17	2	1128	LED(NOT SHOWN)
18	1	1691	MAP LIGHT(NOT SHOWN)
19	1	1769	CAMERA MONITOR SYS (not shown)

CONSOLE IN CAB PANEL MOUNTING

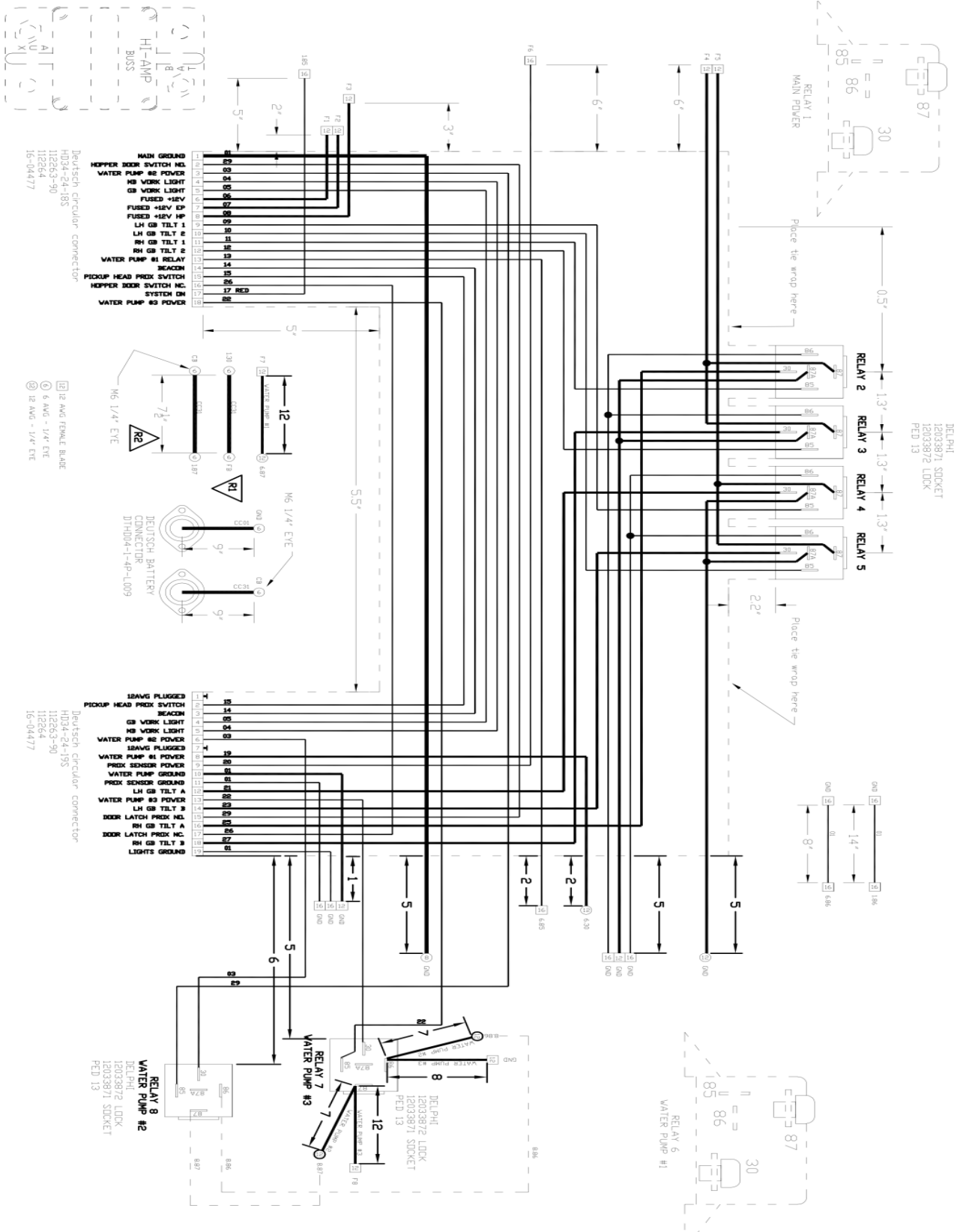
EXPLODED VIEW



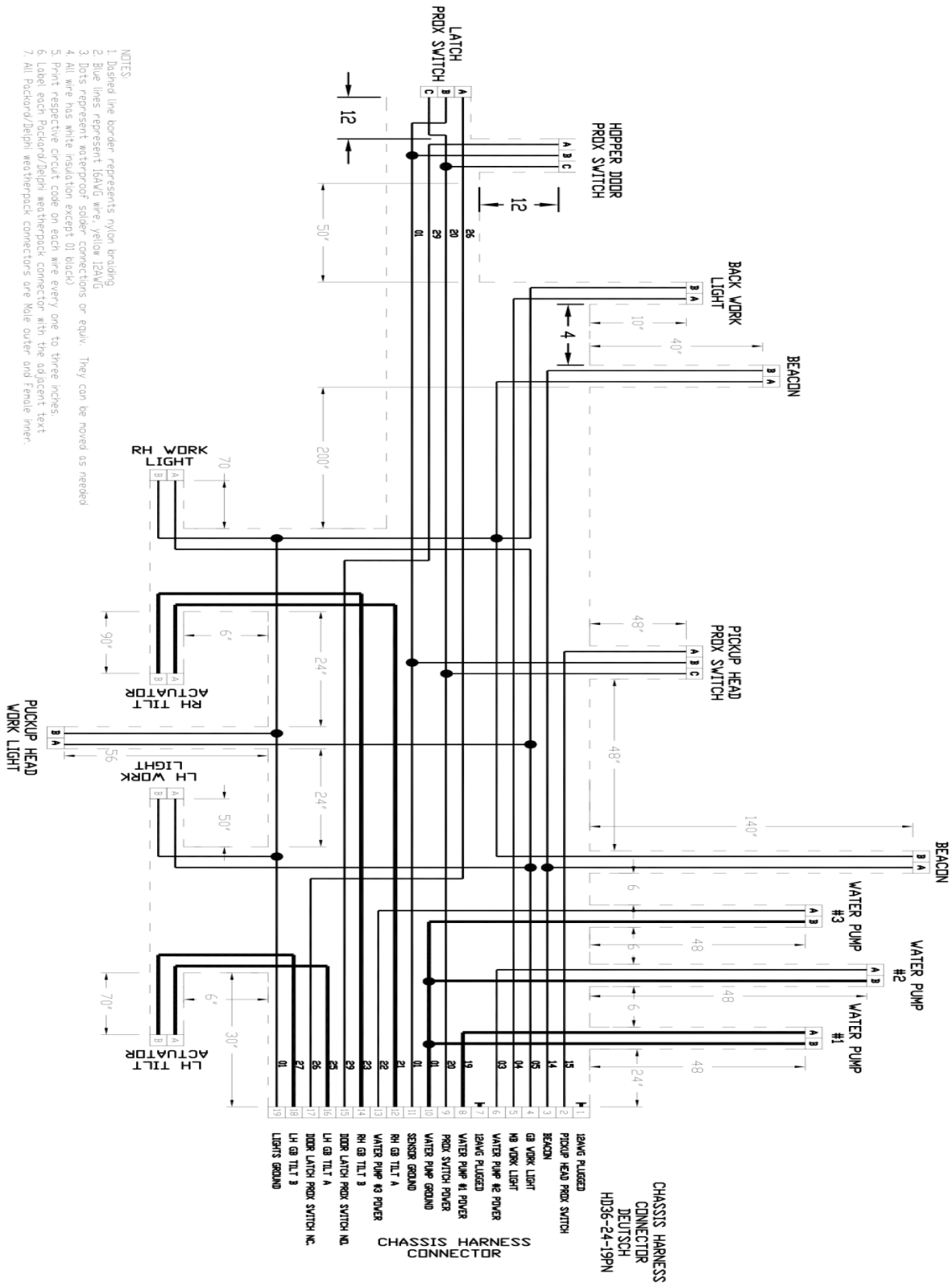
**CONSOLE IN CAB PANEL MOUNTING
PARTS**

ITEM #	QTY.	PART#	DISCRIPTION
1	1	42501	ADAPTER PLATE
2	1	1546	BOLT
3	1	42502	SUPPORT POST
4	1	1505	NUT
5	7	1531	BOLT
6	4	1520	WASHER
7	7	1501	NUT
8	1	42503	TOP MOUNT
9	1	42506	BOX MOUNT PLATE
10	1	42510	OFFSET POST
11	1	1233	ELECT. BOOT
12	2	1194	PEDISTAL KNOB

AUX BOX HARNESS



BODY HARNESS

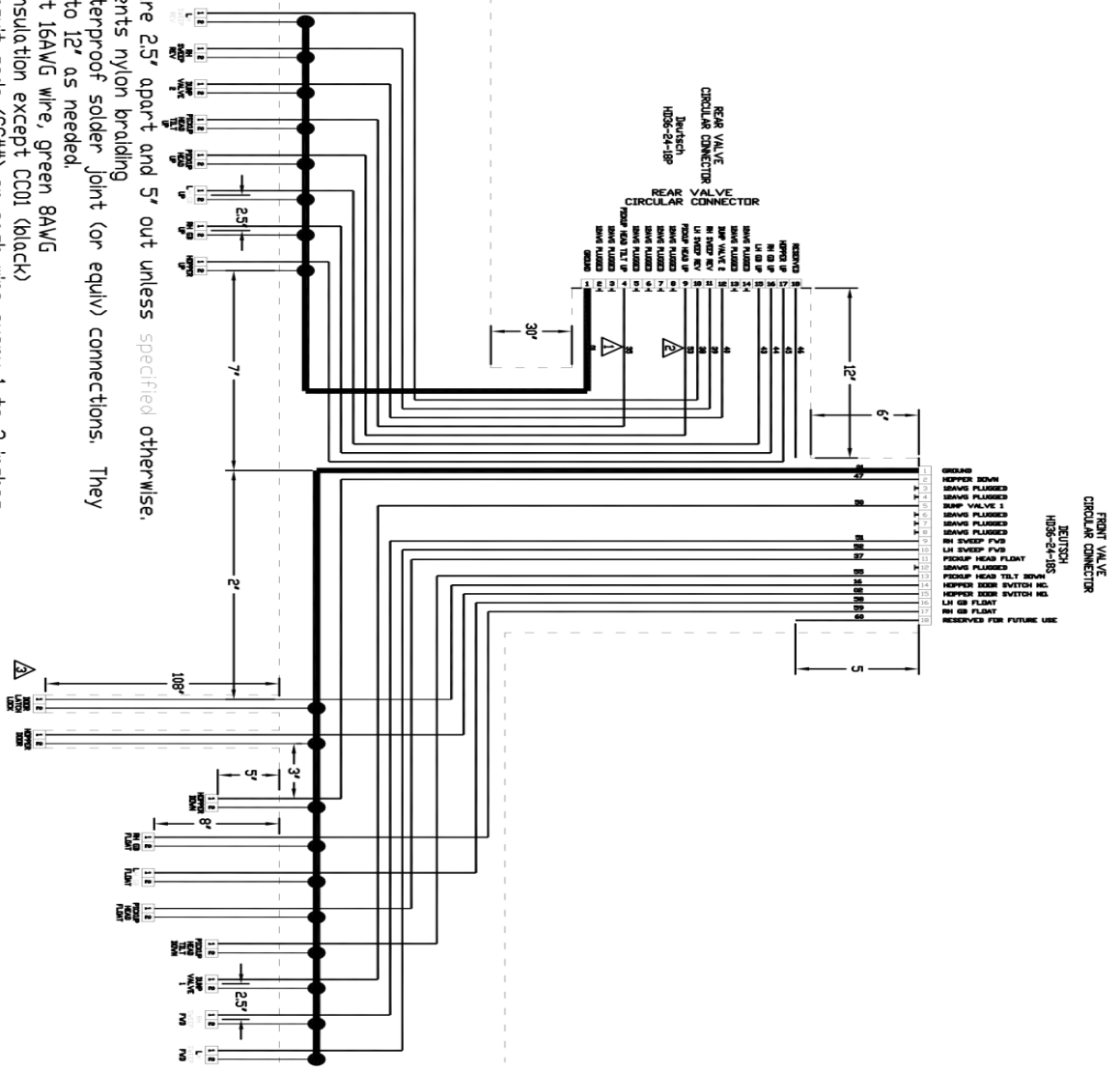


VALVE HARNESS

- Notes:
1. Valve connectors are 2.5' apart and 5' out unless specified otherwise.
 2. Dashed line represents nylon braiding.
 3. Dots represent waterproof solder joint (or equiv) connections. They can be relocated up to 12" as needed.
 5. Blue lines represent 16AWG wire, green 8AWG.
 6. All wire has white insulation except CC01 (black)
 7. Print respective circuit code (CC##) on each wire every 1 to 3 inches.
 8. Label each valve with text above valve connector
 9. Refer to "Valve connector terminal block orientation" for all valve connectors
 10. Fill all Hirschmann connector barrels with silicone or RTV equiv to improve weatherability.



Valve connector terminal block orientation for LH connectors. Note pin one in relation to housing barrel.



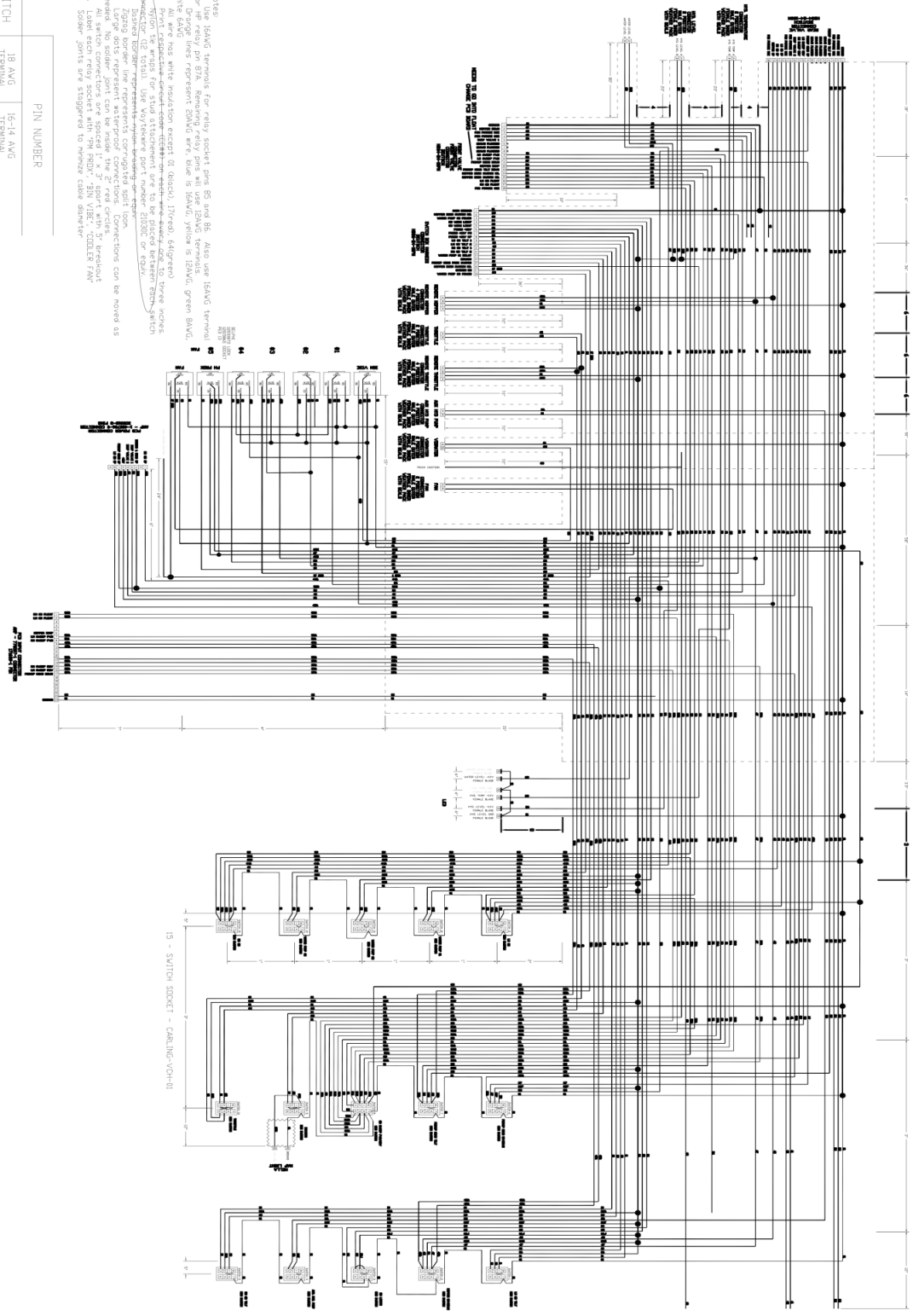
Valve connector terminal block orientation for RH connectors. Note pin one in relation to housing barrel.

SWITCH BOX HARNESS

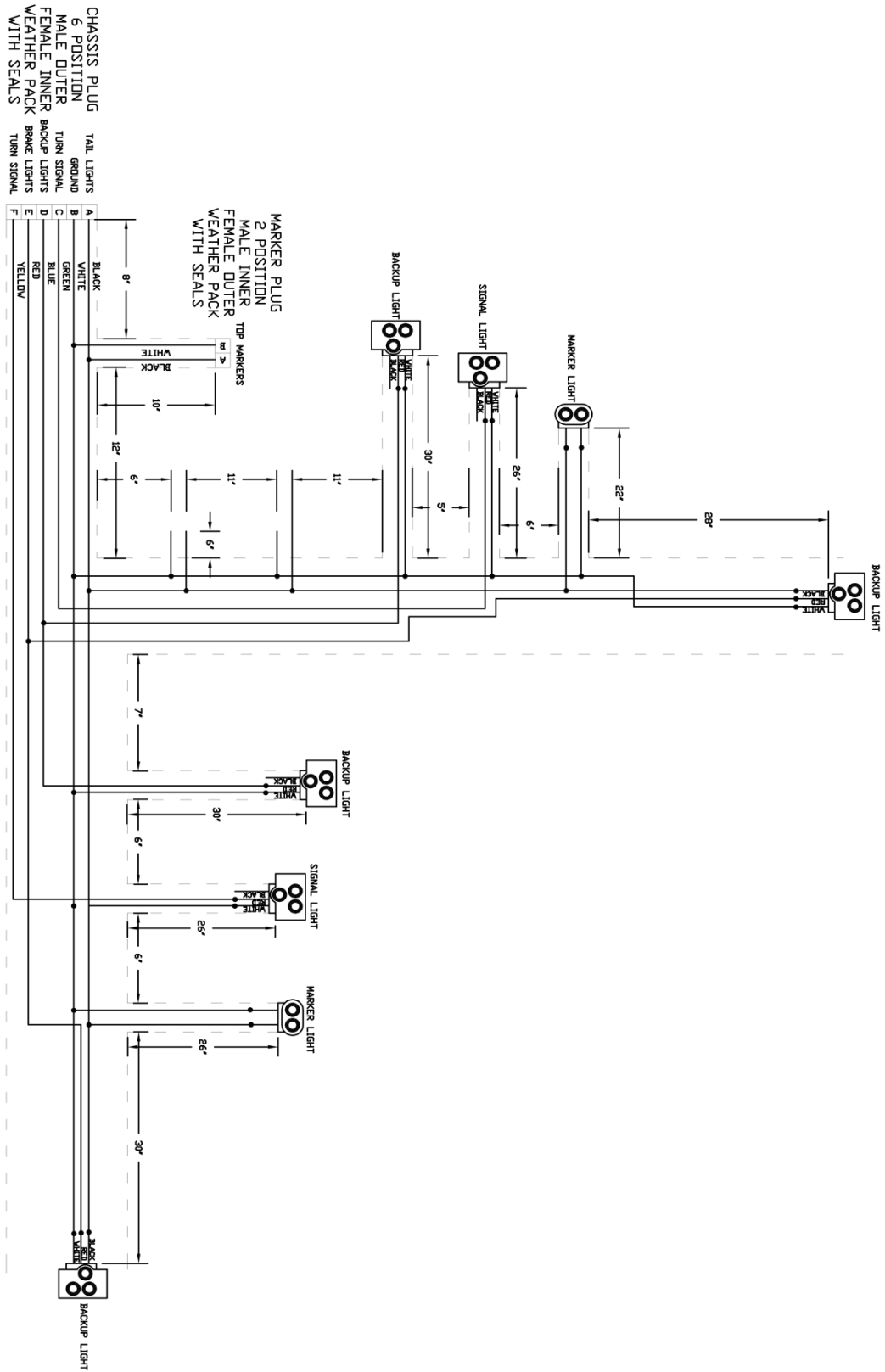
SWITCH	J8 AVG TERMINAL	J6-14 AVG TERMINAL
1	8	1, 2, 3, 7
2	8	2, 4, 5, 7
3	8	1, 2, 3, 7
4	8	1, 2, 3, 7
5	8	1, 2, 3, 7
6	8	1, 2, 3, 7
7	8	1, 2, 3, 7
8	8	1, 2, 3, 7
9	8	1, 2, 3, 7
10	8	1, 2, 3, 7
11	8	1, 2, 3, 7
12	8	1, 2, 3, 7
13	8	1, 2, 3, 7
14	8	1, 2, 3, 7
15	8	1, 2, 3, 7

PIN NUMBER

- Notes:
1. Use 16AWG terminals for relay socket pins 85 and 86. Also use 16AWG terminal for relay pin 87. Use 20 gauge wire for pins 85, 86, 87. Use 18 gauge wire for pins 85, 86, 87. Use 20 gauge wire for pins 85, 86, 87. Use 18 gauge wire for pins 85, 86, 87.
 2. For ground, use 16AWG green BNC.
 3. For power, use 16AWG green BNC.
 4. Pin 10 is the positive terminal. It should be labeled "IGN" or "PWR".
 5. Pin 11 is the negative terminal. It should be labeled "GND" or "NEG".
 6. Zigzag border line represents corrugated split loom.
 7. Zigzag border line represents corrugated split loom.
 8. No solder joint can be made over 5/16" diameter.
 9. All switch connectors are spaced 1" x 2" apart with 5/16" diameter.
 10. Solder joints are staggered to minimize cable diameter.

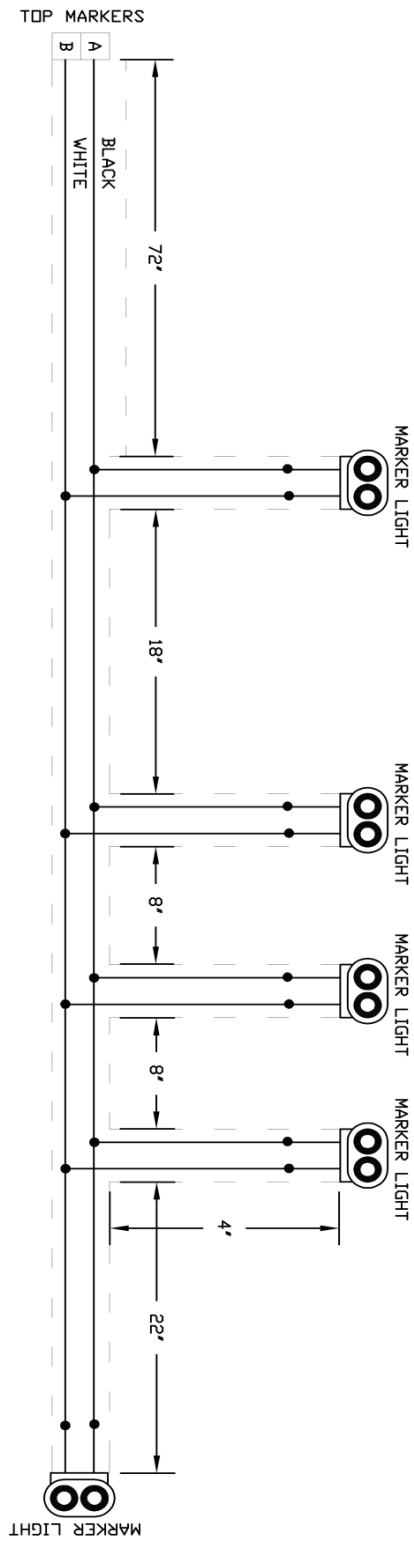


BUMPER HARNESS

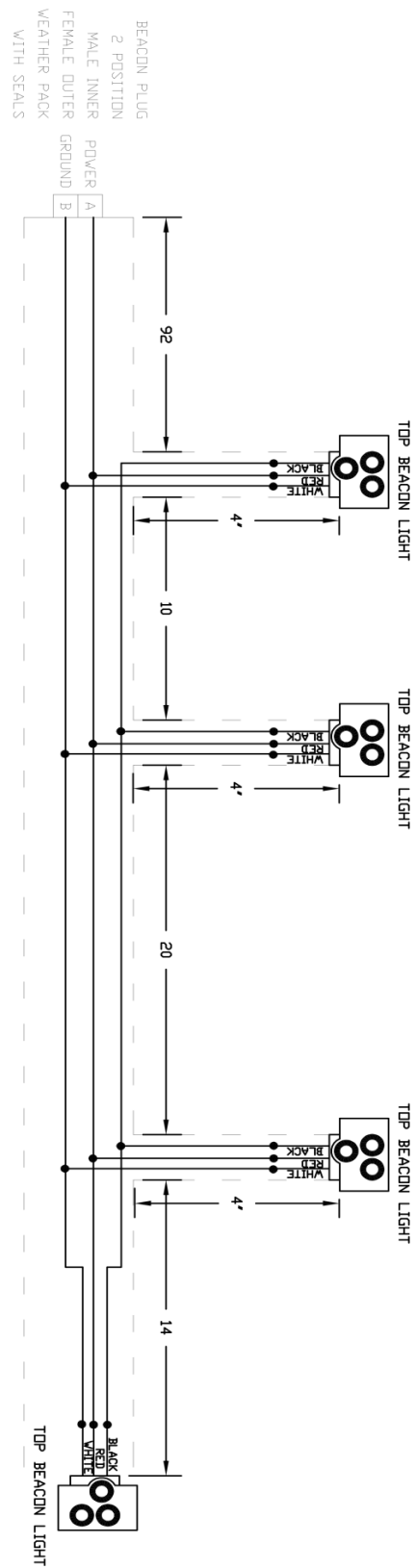


TOP MARKER HARNESS

MARKER PLUG
 2 POSITION
 MALE OUTER
 FEMALE INNER
 WEATHER PACK
 WITH SEALS



TOP BEACON HARNESS



III. PARTS INDEX

1000

1010

BUSHING175,
See GUTTER BROOM LOWER ASSEMBLY

1018

SUSPENSION SPRING173,
See GUTTER BROOM UPPER ASSEMBLY

1019

RETRACT SPRING173,
See GUTTER BROOM UPPER ASSEMBLY

1020

BUSHING173,
See GUTTER BROOM UPPER ASSEMBLY

1022

TURN BUCKLE173,
See GUTTER BROOM UPPER ASSEMBLY

1023

TURN BUCKLE173,
See GUTTER BROOM UPPER ASSEMBLY

1028

CLEARANCE LIGHT LED151, 153,
See REAR BUMPER ASSEMBLY
See REAR LIGHT BAR ASSEMBLY

1042

QUICK LINK173

1045

EYE BOLT145,
See COMPLETE HEAD ASSEMBLY

1078

LINEAR ACTUATOR175,
See GUTTER BROOM LOWER ASSEMBLY

1117

WATER FILTER127, 159,
See DUST SUPPRESSION SYSTEM,
See WATER SYSTEM ASSEMBLY

1120

HYDRAULIC OIL COOLER143,
See SHROUD ASSEMBLY

1131

GROMMET2-1/2\151, 153

1137

CHAIN145,
See COMPLETE HEAD ASSEMBLY

1145

OFFSET KEY175,
See GUTTER BROOM LOWER ASSEMBLY

1148

GB BRUSH SET FOR 32" PLATE 175

1158

BRASS HOSE BARB FITTING 127

1162

BUSHING PVC 161, 163,
See GUTTER BROOM SPRAY BAR,
See FRONT SPRAY BAR ASSEMBLY

1164

SPRAY NOZZLE 161,
See GUTTER BROOM SPRAY BAR,
See, See FRONT SPRAY BAR ASSEMBLY

1170

ELBOW 167

1172

WATER FILTER SCREEN MESH 159,
See DUST SUPPRESSION SYSTEM

1185

BUSHING 173,
See GUTTER BROOM UPPER ASSEMBLY

1204

BALL VALVE 161, 163,
See GUTTER BROOM SPRAY BAR
See FRONT SPRAY BAR ASSEMBLY

1223

NIPPLE 161,
See FRONT SPRAY BAR ASSEMBLY

1379

CYLINDER 173,
See GUTTER BROOM UPPER ASSEMBLY

1392

THREADED NIPPLE 141

1393

STRANER 141

1411

FILTER BASE 125,
See HYDRAULIC RESERVOIR ASSEMBLY

1416

RETURN FILTER HYD RESERVOIR 125,
See HYDRAULIC RESERVOIR ASSEMBLY

1501

NUT 179,
See CONSOLE IN CAB PANEL MOUNTING

1505

NUT 173, 175, 179,
See GUTTER BROOM LOWER ASSEMBLY,
See GUTTER BROOM UPPER ASSEMBLY

1506

NUT 173, 175,
See GUTTER BROOM LOWER ASSEMBLY,

	See GUTTER BROOM UPPER ASSEMBLY		
1507	NUT.....173,		1642
	See GUTTER BROOM UPPER ASSEMBLY		NUT..... 173
1508	NUT.....173		1670
1520	WASHER.....179,		WASHER 173, 175,
	See CONSOLE IN CAB PANEL MOUNTING		See GUTTER BROOM LOWER ASSEMBLY,
1525	WASHER.....175,		See GUTTER BROOM UPPER ASSEMBLY
	See GUTTER BROOM LOWER ASSEMBLY		1684
1526	WASHER.....173, 175,		SOS SWITCH..... 177,
	See GUTTER BROOM LOWER ASSEMBLY, See GUTTER		See CONSOLE ASSEMBLY
	BROOM UPPER ASSEMBLY		1685
1531	BOLT.....179,		SOM SWITCH..... 177,
	See CONSOLE IN CAB PANEL MOUNTING		See CONSOLE ASSEMBLY
1537	BOLT.....173, 175,		1686
	See GUTTER BROOM LOWER ASSEMBLY,		MOM SWITCH..... 177,
	See GUTTER BROOM UPPER ASSEMBLY		See CONSOLE ASSEMBLY
1540	BOLT.....173, 175,		1689
	See GUTTER BROOM LOWER ASSEMBLY,		HOLE PLUGS 177,
	See GUTTER BROOM UPPER ASSEMBLY		See CONSOLE ASSEMBLY
1546	BOLT.....175, 179,		1822
	See CONSOLE IN CAB PANEL MOUNTING,		WASHERS..... 173, 175,
	See GUTTER BROOM LOWER ASSEMBLY		See GUTTER BROOM LOWER ASSEMBLY
1549	BOLT.....175,		1908
	See GUTTER BROOM LOWER ASSEMBLY		LED LICENSE.....153, See
1556	BOLT.....173,		1909
	See GUTTER BROOM UPPER ASSEMBLY		ROUND RED TAIL LIGHT..... 153,
1559	BOLT.....173		See REAR BUMPER ASSEMBLY
1560	BOLT.....173		1910
1561	BOLT.....173,		LED TURN AMBER..... 153,
	See GUTTER BROOM UPPER ASSEMBLY		See REAR BUMPER ASSEMBLY
1574	BOLT.....173		YOP DOOR BRACE..... 137,
1581	WASHER.....173,		See HOPPER TOP DOOR ASSEMBLY
	See GUTTER BROOM UPPER ASSEMBLY		1911
1640	NUT.....173		LED BACK UP..... 153,
			See REAR BUMPER ASSEMBLY
			1912
			GROMMET..... 153,
			See REAR BUMPER ASSEMBLY
			1947
			RELAYS..... 177,
			See CONSOLE ASSEMBLY
			1968
			GREEN SWITCH COVER..... 177,
			See CONSOLE ASSEMBLY
			1969
			RED SWITCH COVERS..... 177,
			See CONSOLE ASSEMBLY
			2000
			VALVE D/A RELIEF..... 123,
			See HYDRAULIC ASSEMBLY
			2001
			VALVE..... 123,

See HYDRAULIC ASSEMBLY

2002
VALVE.....123,
See HYDRAULIC ASSEMBLY

2005
VALVE.....123,
See HYDRAULIC ASSEMBLY

2011
COIL CONN FLOAT.....123,
See HYDRAULIC ASSEMBLY

2016
BODY FLOAT VALVE.....123,
See HYDRAULIC ASSEMBLY

2030
RESTRICTORS.....123,
See HYDRAULIC ASSEMBLY

2071
ENGINE ASSY.....121,
See ENGINE SKID ASSEMBLY

2072
HAYES DRIVER.....121,
See RETURN FILTER HYD

2073
LOVEJOY COUPLING.....121,
See RETURN FILTER HYD

2074
HYD PUMP.....121,
See RETURN FILTER HYD

2221
PLATE.....123,
See HYDRAULIC ASSEMBLY

2222
VALVE.....
See HYDRAULIC ASSEMBLY

3230
MOTOR.....123,
See HYDRAULIC ASSEMBLY

3230
MOTOR.....175,
See GUTTER BROOM LOWER ASSEMBLY

9000
FAN SEAL.....129,
See FAN HOUSING ASSMEBLY

9003
SCREW.....125,
See HYDRAULIC RESERVOIR ASSEMBLY

9004
WASHER SPRING LOCK.....131,
See FAN HOUSING LINER

9005
NUT.....131

9007
ELEVATOR BOLT..... 131,
See FAN HOUSING LINER

9017
BERING..... 121,
See RETURN FILTER HYD

9019
RUBBER BUMPER..... 145,
See COMPLETE HEAD ASSEMBLY

9020
SUCTION STRAINER..... 125,
See HYDRAULIC RESERVOIR ASSEMBLY

9021
TANK FLANGE..... 125,
See HYDRAULIC RESERVOIR ASSEMBLY

9022
TANK FLANGE..... 125,
See HYDRAULIC RESERVOIR ASSEMBLY

9023
SIGHT GUAGE..... 125,
See HYDRAULIC RESERVOIR ASSEMBLY

9026
WELD NUT SS..... 135,
See HOPPER ASSEMBLY KIT

9027
WELD NUT.....
See ENGINE SKID ASSEMBLY

9029
LICENSE PLATE SCREW RECEPTACLE..... 153,
See REAR BUMPER ASSEMBLY

9030
VALVE..... 125,
See HYDRAULIC RESERVOIR ASSEMBLY

9031
BUSHING..... 121,
See ENGINE SKID ASSEMBLY

9034
BUSHING..... 129,
See FAN HOUSING ASSMEBLY

9035
WATER PUMP..... 127, 159,
See DUST SUPPRESSION SYSTEM

9037
COTTER PIN..... 137,
See HOPPER TOP DOOR ASSEMBLY

9041
BRASS PLUG..... 125,
See HYDRAULIC RESERVOIR ASSEMBLY

9047
WELD NUT..... 125,
See HYDRAULIC RESERVOIR ASSEMBLY

9052	OVAL LIGHT GROMMET151,	SHROUD LATCH SS.....	
	See REAR LIGHT BAR ASSEMBLY	See HOPPER INSPECTION DOOR ASSEMBLY	
9058	CHAIN LINK ASSEMBLY.....155,	9082	SHACKLE 155,
	See 8IN HAND HOSE ASSEMBLY		See SHACKLE
9059	CHAIN.....	9083	ELBOW..... 125,
	See 8IN HAND HOSE ASSEMBLY		See HYDRAULIC RESERVOIR ASSEMBLY
9065	ELBOW165	9084	CLAMPING U-BOLT 157,
	ELBOW \t.....165		See HYDRANT FILL TUBE ASSEMBLY
9066	RUBBER EDGE TRIM117,	9085	CONNECTOR 125,
	See MAIN FRAME ASSEMBLY		See HYDRAULIC RESERVOIR ASSEMBLY
9067	RUBBER BUMPER.....133,	9086	PULLEY..... 121,
	See COMPLETE HOPPER ASSEMBLY		See ENGINE SKID ASSEMBLY
9070	U-BOLT161,	9087	PULLEY.....
	See GUTTER BROOM SPRAY BAR,		See ENGINE SKID ASSEMBLY
	See FRONT SPRAY BAR ASSEMBLY	9089	CLAMP 145,
9072	HAND HOSE RUBBER SEAL155,		See COMPLETE HEAD ASSEMBLY
	See 8IN HAND HOSE ASSEMBLY	9090	ELBOW..... 125,
	INSPECTION DOOR SEAL139,		See HYDRAULIC RESERVOIR ASSEMBLY
	See HOPPER INSPECTION DOOR ASSEMBLY	9094	BELT..... 121,
	TOP DOOR SEAL137,		See ENGINE SKID ASSEMBLY
	See HOPPER TOP DOOR ASSEMBLY	9095	GAS SPRING 143,
9073	EXTENSION SPRING145,		See SHROUD ASSEMBLY
	See COMPLETE HEAD ASSEMBLY	9096	VIBRATION ISOLATOR CENTER BONDED 121,
9074	HYD FLUID LEVEL SENSOR.....125,		See ENGINE SKID ASSEMBLY
	See HYDRAULIC RESERVOIR ASSEMBLY	9098	HYD TANK BREATHER KIT 125,
9075	TEMPERATURE SWITCH125,		See HYDRAULIC RESERVOIR ASSEMBLY
	See HYDRAULIC RESERVOIR ASSEMBLY	9102	FIRE HOSE 25' 157
9076	HOSE CLAMP.....	9103	2" STEEL PLAIN KING NIPPL 157
	See HYDRANT FILL TUBE ASSEMBLY	9104	BRASS HYDRANT COUPLING 157
	HOSE CLAMP(NOT CLAMP)157	9105	ADAPTOR QUICK DISCONNECT 157
9079	CONNECTOR.....125,	9106	ADAPTOR QUICK DISCONNECT 157,
	See HYDRAULIC RESERVOIR ASSEMBLY		See HYDRANT FILL TUBE ASSEMBLY
9080	CONNECTOR.....125,	9107	ALUMINUM DUST CAP 157
	See HYDRAULIC RESERVOIR ASSEMBLY		
9081	SHROUD LATCH SS139, 143,		
	See SHROUD ASSEMBLY		

9108	FAN SHAFT	121,
	See RETURN FILTER HYD	
9109	EXTENSION SPRING	145
	See COMPLETE HEAD ASSEMBLY	
	EXTENTION SPRING	155
9110	CYLINDER	169
	LATCH CYLINDER	168
9112	1-CYLINDER	165
	DUMP DOOR CYLINDER	164
9113	HAND HOSE SECTION	155,
	See 8IN HAND HOSE ASSEMBLY	
9114	RECTANGLE SEAL	141
	, See DUMP DOOR ASSEMBLY	
9115	OVAL AMBER STROBE6-1/2\	151
9116	PLASTIC-HANDLE	155,
	See 8IN HAND HOSE ASSEMBLY	
9117	HOSE CLAMP	155,
	See 8IN HAND HOSE ASSEMBLY	
9118	S-HOOK	155,
	See 8IN HAND HOSE ASSEMBLY	
9119	NUT	173,
	See GUTTER BROOM UPPER ASSEMBLY	
	STRAP	155,
	See 8IN HAND HOSE ASSEMBLY	
9120	PICKUP CYLINDER	166,
	See PICKUP CYLINDER	
	PICKUPCYLINDER	167
9122	CYLINDER	
	See DUMP CYLINDER	
	DUMP CYLINDER	117, 170, 171,
	See DUMP CYLINDER,	
	See MAIN FRAME ASSEMBLY	
9128	INTAKE TUBE12\	145
9129	TRANSITION SEAL	117,
	See MAIN FRAME ASSEMBLY	
9133		

	CLEVIS BOLT	145,
	See COMPLETE HEAD ASSEMBLY	
9134	CLAMP	145,
	See COMPLETE HEAD ASSEMBLY	
9135	INTAKE TUBE HD12"	145
9201	BRASS NIPPLE	127
9203	BRASS ELBOW	127
9205	BRASS ELBOW	127
	BRASS ELBOW \t	127
9206	BRASS REDUCER	127
9211	BRASS TEE	127
9214	BRASS COUPLING	127

10000

12510	SWITCH PANEL	177,
	See CONSOLE ASSEMBLY	
12511	SWITCH PANEL DECAL	177,
	See CONSOLE ASSEMBLY	
12517	BUMPER WIRING HARNESS	153,
	See REAR BUMPER ASSEMBLY	
12518	WIRE HARNESS	151,
	See REAR LIGHT BAR ASSEMBLY	
15000	MOUNTING PLATE	119,
	See POWER MODULE ASSEMBLY	
15001	POWER MODULE	119,
	See POWER MODULE ASSEMBLY	
15002	HYD RESERVOIR	125,
	See HYDRAULIC RESERVOIR ASSEMBLY	
15003	INSPECTION COVER HYD TANK	125,
	See HYDRAULIC RESERVOIR ASSEMBLY	
15004	WATER RESERVOIR 200 GAL	127,
	See WATER SYSTEM ASSEMBLY	

WATER TANK 200gal	159	BELT GUARD	119,
<i>See</i> DUST SUPPRESSION SYSTEM		<i>See</i> POWER MODULE ASSEMBLY	
15005		15060	
HYDRANT FILL TUBE PIPE	157,	PUMP MOUNT.....	159,
<i>See</i> HYDRANT FILL TUBE ASSEMBLY		<i>See</i> DUST SUPPRESSION SYSTEM	
15006		WATER PUMP MOUNT	127,
SLIDE BAR ENGINE SKID	121,	<i>See</i> WATER SYSTEM ASSEMBLY	
<i>See</i> ENGINE SKID ASSEMBLY		15100	
15007		BOLT PLATE TRANSITION.....	117,
ENGINE SKID.....	121	<i>See</i> MAIN FRAME ASSEMBLY	
15008		15101	
GUARD		MAIN FRAME	117,
<i>See</i> ENGINE SKID ASSEMBLY		<i>See</i> MAIN FRAME ASSEMBLY	
R-6 GUARD	121	15102	
15009		REAR BUMPER MOUNTING BRACKET.....	117,
HEAD WASHER ENGINE SKID	121, <i>See</i> ENGINE SKID	<i>See</i> MAIN FRAME ASSEMBLY	
ASSEMBLY		15103	
15010		TRANSITION MOUNTING BRACKET	117,
TAIL WASHER ENGINE SKID.....	121,	<i>See</i> MAIN FRAME ASSEMBLY	
<i>See</i> ENGINE SKID ASSEMBLY		15104	
15011		MIDDLE TIE DOWN	117,
PORT COVER	129,	<i>See</i> MAIN FRAME ASSEMBLY	
<i>See</i> FAN HOUSING ASSEMBLY		15106	
15012		HEAD SPRING HANGER.....	117,
FAN HOUSING	119, 129,	<i>See</i> MAIN FRAME ASSEMBLY	
<i>See</i> FAN HOUSING ASSEMBLY,		15107	
<i>See</i> POWER MODULE ASSEMBLY		DRAG ARM BRACKET	117,
15013		<i>See</i> MAIN FRAME ASSEMBLY	
BACKPLATE FAN HOUSING.....	119, 129,	15108	
<i>See</i> FAN HOUSING ASSEMBLY,		INTAKE TRANSITION TUBE ASSEMBLY.....	117,
<i>See</i> POWER MODULE ASSEMBLY		<i>See</i> MAIN FRAME ASSEMBLY	
15014		15109	
FAN 30" S- SERIES.....	129	HINGE BOLT ASSY	117,
15015		<i>See</i> MAIN FRAME ASSEMBLY	
FUEL FILLER BRACKET.....	119,	15110	
<i>See</i> POWER MODULE		DUMP SAFTY CHAULK.....	117,
15016		<i>See</i> MAIN FRAME ASSEMBLY	
FAN SHAFT LOCK KEY	119,	15200	
<i>See</i> POWER MODULE ASSEMBLY		BLACK ALUMINUM HINGE.....	133,
15019		<i>See</i> COMPLETE HOPPER ASSEMBLY	
RUBBER LINER.....	131,	15201	
<i>See</i> FAN HOUSING LINER		RUBBER HINGE	133,
15021		<i>See</i> COMPLETE HOPPER ASSEMBLY	
THROTTLE ACTUATOR.....	121,	15202	
<i>See</i> ENGINE SKID ASSEMBLY		DUMP DOOR CYL MOUNT	133,
15025		<i>See</i> COMPLETE HOPPER ASSEMBLY	
FILTER MOUNT.....	159,	15203	
<i>See</i> DUST SUPPRESSION SYSTEM		AIR VANE SEPARTOR	133,
WATER FILER BRACKET	127,	<i>See</i> COMPLETE HOPPER ASSEMBLY	
<i>See</i> WATER SYSTEM ASSEMBLY		15204	
15040		DUST SEPARATOR DOOR.....	135,

See HOPPER ASSEMBLY KIT	
SEPARATOR DOOR	133,
See COMPLETE HOPPER ASSEMBLY	
15205	
HOPPER INTAKE	133,
See COMPLETE HOPPER ASSEMBLY	
15206	
REAR SEPERATOR COVER	133,
See COMPLETE HOPPER ASSEMBLY	
15208	
RH SEPARATOR WRAP	135,
See HOPPER ASSEMBLY KIT	
15209	
LH SEPARATOR WRAP	135,
See HOPPER ASSEMBLY KIT	
15210	
UPPER BRACE HOPPER SIDE	135,
See HOPPER ASSEMBLY KIT	
15211	
LH UPPER HOPPER SIDE	135,
See HOPPER ASSEMBLY KIT	
15212	
RH UPPER HOPPER SIDE	135,
Se HOPPER ASSEMBLY KITe	
15213	
LH LOWER HOPPER SIDE	135,
See HOPPER ASSEMBLY KIT	
15214	
RH LOWER HOPPER SIDE	135,
See HOPPER ASSEMBLY KIT	
15215	
FRONT HOPPER PAN	135,
See HOPPER ASSEMBLY KIT	
15216	
FLOOR PAN HOPPER	135,
See HOPPER ASSEMBLY KIT	
15217	
LH DUMP GUSSET	135,
See HOPPER ASSEMBLY KIT	
15218	
RH DUMP GUSSET	135,
See HOPPER ASSEMBLY KIT	
15219	
BOLT PLATE REAR HOPPER	135,
See HOPPER ASSEMBLY KIT	
15220	
HOPPER FRAME	133,
See COMPLETE HOPPER ASSEMBLY	
15221	
SCREEN FRAME	133,
See COMPLETE HOPPER ASSEMBLY	
15222	
DUMP DOOR HINGE	133,
See COMPLETE HOPPER ASSEMBLY	
15223	
LATCH REAR DOOR	133,
See COMPLETE HOPPER ASSEMBLY	
15224	
DUMP DOOR HINGE PIN	133,
See COMPLETE HOPPER ASSEMBLY	
15225	
TOP DOOR CONNECTOR ARM	133,
See COMPLETE HOPPER ASSEMBLY	
15226	
HOPPER INSPECTION DOOR	139,
See HOPPER INSPECTION DOOR ASSEMBLY	
15227	
HINGE DUMP DOOR	137,
See HOPPER TOP DOOR ASSEMBLY	
15228	
DUMP DOOR HINGE	141,
See DUMP DOOR ASSEMBLY	
15229	
LH LATCH CAM	141,
See DUMP DOOR ASSEMBLY	
15230	
RH CAM LATCH	141,
See DUMP DOOR ASSEMBLY	
15231	
LATCH CYLINDER MOUNTING BRACKET	141,
See DUMP DOOR ASSEMBLY	
15232	
DRAIN MOUNTING PLATE	141,
See DUMP DOOR ASSEMBLY	
15233	
CONNECTING BAR HINGE PLATE	141,
See DUMP DOOR ASSEMBLY	
15234	
DUMP DOOR LATCH ROD	141,
See DUMP DOOR ASSEMBLY	
15235	
RETAINER PLATE LATCH ROD	141,
See RETAINER PLATE LATCH ROD	
15236	
DUMP DOOR CYLINDER PIN ROD	141,
See DUMP DOOR ASSEMBLY	
15237	
CYLINDER PIN ROD SUPPORT	141,
See DUMP DOOR ASSEMBLY	
15238	
COVER PLATE	141,
See DUMP DOOR ASSEMBLY	

15239	DOOR LATCH CYLINDER141, See DUMP DOOR ASSEMBLY	SHROUD FRAME See SHROUD ASSEMBLY	
15240	COUPLING DOOR LATCH ROD141, See DUMP DOOR ASSEMBLY	15302	UPPER SHROUD DOOR SKIN LH 143, See SHROUD ASSEMBLY
15241	COUPLING DOOR CYLINDER ROD141, See DUMP DOOR ASSEMBLY	15303	UPPER DOOR FRAME 143, See SHROUD ASSEMBLY, See SHROUD ASSEMBLY
15243	FRONT HOPPER SEPERATOR BRACE133	15304	LOWER SHROUD DOOR SKIN RH 143, See SHROUD ASSEMBLY
15244	HOPPER ACCESS COVER PLACE133, See COMPLETE HOPPER ASSEMBLY	15305	LOWER DOOR FRAM..... 143, See SHROUD ASSEMBLY
15245	DUMP DOOR CYLINDER133, See COMPLETE HOPPER ASSEMBLY		LOWER DOOR FRAME..... 143, See SHROUD ASSEMBLY
15246	HINGE SUPPORT CHANNEL TOP DOOR 133, See COMPLETE HOPPER ASSEMBLY	15306	UPPER SHROUD DOOR SKIN RH..... 143, See SHROUD ASSEMBLY
15247	REAR TANK END HOPPER135, See HOPPER ASSEMBLY KIT	15307	LOWER SHROUD DOOR SKIN RH 143, See SHROUD ASSEMBLY
15248	SCROLL HOPPER SEPARATOR135, See HOPPER ASSEMBLY KIT	15308	PIANO HINGE SS 143, See SHROUD ASSEMBLY
15249	UPPER SEAL PLATE REAR BULKHEAD135, See HOPPER ASSEMBLY KIT	15400	FRONT FLAP 147, See HEAD FLAP KIT ASSYSEMBLY
15250	TOP DOOR SKIN.....137, See HOPPER TOP DOOR ASSEMBLY	15401	MIDDLE FLAP 147, See HEAD FLAP KIT ASSEMBLY
15252	HOPPER DUMP DOOR PANEL.....141, See DUMP DOOR ASSEMBLY	15402	REAR FLAP 147, See HEAD FLAP KIT ASSEMBLY
15253	DUMP DOOR INNER VERTCAL BRACE141, See DUMP DOOR ASSEMBLY	15403	BLAST ORIFICE FLAP..... 147, See HEAD FLAP KIT ASSEMBLY
15255	LIFTING ROD TOP DOOR137, See HOPPER TOP DOOR ASSEMBLY	15404	HEAD CHANNEL 145, See COMPLETE HEAD ASSEMBLY
15256	HOSE RACK HOPPER DRAIN141, See DUMP DOOR ASSEMBLY	15405	SKID PLATE HEAD..... 145, See COMPLETE HEAD ASSEMBLY
15258	ACCESS COVER DUMP GUSSET135, See HOPPER ASSEMBLY KIT	15406	HEAD INTAKE EXTENSION..... 145, See COMPLETE HEAD ASSEMBLY
15261	CYLINDER LINK145, See COMPLETE HEAD ASSEMBLY	15408	DEFLECTOR FLAP ASSEMBLY..... 145, See COMPLETE HEAD ASSEMBLY
15300		15412	

HEAD MOUNTING BRACKET.....	145,
<i>See</i> COMPLETE HEAD ASSEMBLY	
15413	
LEFT SIDE HEAD CYL KIT	145,
<i>See</i> COMPLETE HEAD ASSEMBLY	
15414	
RIGHT SIDE HEAD CYL KIT.....	145,
<i>See</i> COMPLETE HEAD ASSEMBLY	
15418	
DRAG ARM	145,
<i>See</i> COMPLETE HEAD ASSEMBLY	
15500	
REAR BUMPER.....	153,
<i>See</i> REAR BUMPER ASSEMBLY	
1560	
BOLT.....	
<i>See</i> GUTTER BROOM UPPER ASSEMBLY	
15602	
CROSSOVER TUBE TOOLBOX.....	149,
<i>See</i> COMPLETE TOOLBOX ASSEMBLY	
15603	
REAR MOUNTING TUBE TOOLBOX.....	149,
<i>See</i> COMPLETE TOOLBOX ASSEMBLY	
15604	
FRONT MOUNT TOOLBOX.....	149,
<i>See</i> COMPLETE TOOLBOX ASSEMBLY	
15605	
RH FRONT MOUNT TOOLBOX	149,
15700	
HAND HOSE MOUNTING BRACKET	155,
<i>See</i> 8IN HAND HOSE ASSEMBLY	
15701	
HAND HOSE TRANSITION DOOR	155,
<i>See</i> 8IN HAND HOSE ASSEMBLY	
15702	
HAND HOSE COVER DOOR	155,
<i>See</i> 8IN HAND HOSE ASSEMBLY	
15703	
HAND HOSE LATCH HANDLE	
<i>See</i> 8IN HAND HOSE ASSEMBLY	
15704	
HAND HOSE UPPER HINGE PLATE	155,
<i>See</i> 8IN HAND HOSE ASSEMBLY	
15705	
HAND HOSE PIVOT BRACKET	155,
<i>See</i> 8IN HAND HOSE ASSEMBLY	
15706	
HAND HOSE WAND TUBE.....	155,
<i>See</i> 8IN HAND HOSE ASSEMBLY	

15707	
HAND HOSE BRIDGE PLATE HAND HOSE	155,
<i>See</i> 8IN HAND HOSE ASSEMBLY	
15708	
HAND HOSE BOOM ARM REST	155,
<i>See</i> 8IN HAND HOSE ASSEMBLY	
15709	
HOSE BRACKET	155
15710	
HAND HOSE DEFLECTOR.....	141,
<i>See</i> DUMP DOOR ASSEMBLY	
HAND HOSE REAR DOOR	155,
<i>See</i> 8IN HAND HOSE ASSEMBLY	
15711	
HAND HOSE RUBBER HANGER	155,
<i>See</i> 8IN HAND HOSE ASSEMBLY	
15714	
HAND HOSE SPRING BOOM ARM	155,
<i>See</i> 8IN HAND HOSE ASSEMBLY	
15715	
HAND HOSE WAND TIP.....	155,
<i>See</i> 8IN HAND HOSE ASSEMBLY	
15801	
PUMP MOUNT.....	121,
<i>See</i> ENGINE SKID ASSEMBLY	
15805	
PROX MOUNT LATCH.....	141
, <i>See</i> DUMP DOOR ASSEMBLY	
1769	133,
<i>See</i> COMPLETE HOPPER ASSEMBLY	
1770	133,
<i>See</i> GUTTER BROOM LOWER ASSEMBLY	
1990	
CARTRIDGE	123,
<i>See</i> HYDRAULIC ASSEMBLY	

40000

41205	
LINKAGE MOUNT (LEFT)	173,
<i>See</i> GUTTER BROOM UPPER ASSEMBLY	
41207	
MOTOR MOUNT (LEFT HAND).....	175,
<i>See</i> GUTTER BROOM LOWER ASSEMBLY	
41209	
DRIVE HUB.....	175,
<i>See</i> GUTTER BROOM LOWER ASSEMBLY	
41211	
PIN	173,
<i>See</i> GUTTER BROOM UPPER ASSEMBLY	

41215	SPRING BELL CRANK.....173, See GUTTER BROOM UPPER ASSEMBLY
41221	LINK.....173, See GUTTER BROOM UPPER ASSEMBLY
41227	32" PLATE.....175
41230	EXTEND SPRING MOUNT173, See GUTTER BROOM UPPER ASSEMBLY
41305	LINKAGE MOUNT (RIGHT).....173, See GUTTER BROOM UPPER ASSEMBLY
41318	MOTOR MOUNT (RIGHT HAND).....175, See GUTTER BROOM LOWER ASSEMBLY
42201	MAIN SPRAY BAR 159, 160, 161
42203	GB SPRAY BAR RH159 GUTTER BROOM SPRAY BAR.....162 MAIN SPRAY BAR163 RH GB SPRAY BAR See DUST SUPPRESSION SYSTEM SPRAY BAR See GUTTER BROOM SPRAY BAR
42501	ADAPTER PLATE179, See CONSOLE IN CAB PANEL MOUNTING
42502	SUPPORT POST.....179, See CONSOLE IN CAB PANEL MOUNTING
42503	TOP MOUNT.....179, See CONSOLE IN CAB PANEL MOUNTING
42506	BOX MOUNT PLATE.....179, See CONSOLE IN CAB PANEL MOUNTING
42510	OFFSET POST.....179, See CONSOLE IN CAB PANEL MOUNTING
42527	ENGINE CONTROL HARNESS177, See CONSOLE ASSEMBLY
42529	ENGINE PANEL177, See CONSOLE ASSEMBLY

60000

61201	GB MOUNT (LEFT HAND)..... 173 See GUTTER BROOM UPPER ASSEMBLY
61203	GB PIVOT (LEFT)..... 173, See GUTTER BROOM UPPER ASSEMBLY
61213	PIN 173, See GUTTER BROOM UPPER ASSEMBLY
61235	RETRACT PLATE (LEFT)..... 173, See GUTTER BROOM UPPER ASSEMBLY
61301	GB MOUNT (RIGHT HAND) 173
61303	GB PIVOT (RIGHT)..... 173, See GUTTER BROOM UPPER ASSEMBLY
61335	RETRACT PLATE (RIGHT) 173, See GUTTER BROOM UPPER ASSEMBLY
62505	SWITCHBOX 177 See CONSOLE ASSEMBLY
62506	SWITCH BOX MOUNT PANEL..... 177, See CONSOLE ASSEMBLY
62511	SWITCH BOX..... 177, See CONSOLE ASSEMBLY

80000

80175	POWER MODULE 118
80176	MAIN FRAME ASSEMBLY 116
80177	COMPLETE HOPPER ASSEMBLY 132
80178	SHROUD ASSEMBLY..... 142
80179	COMPLETE HEAD ASSEMBLY 144
80180	REAR BUMPER ASSEMBLY See REAR BUMPER ASSEMBLY
80181	COMPLETE TOOLBOX ASSEMBLY..... 148

80182	HAND HOSE ASSEMBLY	154
80183	HYDRAULIC RESERVOIR ASSEMBLY	119, 124
	WATER SYSTEM ASSEMBLY	126
80184	WATER SYSTEM ASSEMBLY 200gal	119,
	See POWER MODULE ASSEMBLY	
80186	HYDRANT FILL TUBE ASSEMBLY	119, 156,
	See POWER MODULE ASSEMBLY	
80187	FAN HOUSING ASSMEBLY	128
80189	ENGINE SKID ASSEMBLY.....	119, 120,
	See POWER MODULE ASSEMBLY	
80190	FAN HOUSING LINER	130
	LINER KIT HOUSING.....	129,
	See FAN HOUSING ASSMEBLY	
80191	12 VDC AUX HYD PUMP	
	See HYDRAULIC RESERVOIR ASSEMBLY	
	AUX HYD PUMP.....	125
80193	HOPPER ASSY	133, 134, 138,
	See COMPLETE HOPPER ASSEMBLY	
80194	HOPPER INSPECTION DOOR ASSEMBLY	133,
	See COMPLETE HOPPER ASSEMBLY	
80195	HOPPER TOP DOOR ASSEMBLY	133, 136,
	See COMPLETE HOPPER ASSEMBLY	
80196	DUMP DOOR ASSEMBLY	133, 140,
	See COMPLETE HOPPER ASSEMBLY	
80197	REAR LIGHT ASSEMBLY	133, 150,
	See COMPLETE HOPPER ASSEMBLY	
80198	LH UPPER SHROUD DOOR.....	
	See SHROUD ASSEMBLY	
	UPPER SHROUD DOOR LH.....	143
80199	LH LOWER SHROUD DOOR.....	
	See SHROUD ASSEMBLY	
	LOWER SHROUD DOOR LH.....	143
80200	RH UPPER SHROUD DOOR	143,
	See 80200	
80201		

	LOWER SHROUD DOOR RH.....	
	See SHROUD ASSEMBLY	
	RH LOWER SHROUD DOOR.....	143
80202		149
	LH TOOLBOX ASSEMBLY	149,
	See COMPLETE TOOLBOX ASSEMBLY	
80204	RH TOOLBOX ASSEMBLY.....	149,
	See COMPLETE TOOLBOX ASSEMBLY	
80209	CONSOLE ASSEMBLY	176
	HYDRAULIC ASSEMBLY	122
80211	HEAD FLAP KIT	145,
	See COMPLETE HEAD ASSEMBLY	
	HEAD FLAP KIT ASSYEMBLY	146

A

ACCESS COVER DUMP GUSSET	
15258.....	135,
	See HOPPER ASSEMBLY KIT
ADAPTER PLATE	
42501.....	179,
	See CONSOLE IN CAB PANEL MOUNTING
ADAPTOR QUICK DISCONNECT	
9105.....	157
ADAPTOR QUICK DISCONNECT	157
AIR VANE SEPARTOR DOOR	
15203.....	133,
	See COMPLETE HOPPER ASSEMBLY
ALUMINUM DUST CAP	
9107.....	157
AUX BOX HARNESS	180
AUX HYD PUMP	
80191.....	125
AUX HYD PUMP	
80191.....	
	See HYDRAULIC RESERVOIR ASSEMBLY

B

BACKPLATE FAN HOUSING	
15013.....	119, 129,
	See FAN HOUSING ASSMEBLY,
	See POWER MODULE ASSEMBLY
BALL VALVE	
1204.....	161, 163,
	See GUTTER BROOM SPRAY BAR,

See FRONT SPRAY BAR ASSEMBLY

BELT
9094121,
See ENGINE SKID ASSEMBLY

BELT GUARD
15040119,
See POWER MODULE ASSEMBLY

BERING
9017121,
See ENGINE SKID ASSEMBLY

BLACK ALUMINUM HINGE
15200133,
See COMPLETE HOPPER ASSEMBLY

BLAST ORIFICE FLAP
15403147,
See HEAD FLAP KIT ASSEMBLY

BODY FLOAT VALVE
2016
See HYDRAULIC ASSEMBLY, See

BODY HARNESS181

BOLT
1531179
1537173, 175
1540173, 175
1546175, 179
1549175
1556173
1559173
1560173
1561173
1574173

BOLT PLATE REAR HOPPER
15219135,
See HOPPER ASSEMBLY KIT

BOLT PLATE TRANSITION
15100117,
See MAIN FRAME ASSEMBLY

BOX
62505
See CONSOLE ASSEMBLY

BOX MOUNT PLATE
42506179,
See CONSOLE IN CAB PANEL MOUNTING

BRASS127

BRASS COUPLING127

BRASS ELBOW
9203127
9205127

BRASS HYDRANT COUPLING
9104157

BRASS NIPPLE

9201..... 127

BRASS PLUG
9041..... 125,
See HYDRAULIC RESERVOIR ASSEMBLY

BRASS TEE
9211..... 127

BUMPER HARNESS 184

BUMPER WIRING HARNESS
12517..... 153,
See REAR BUMPER ASSEMBLY

BUSHING
1010..... 175
1020..... 173
1185..... 173
9031..... 121,
See ENGINE SKID ASSEMBLY
9034..... 129,
See FAN HOUSING ASSMEBLY

BUSHING PVC
1162..... 161, 163,
See FRONT SPRAY BAR ASSEMBLY

C

CAMERA 133,
See COMPLETE HOPPER ASSEMBLY

CAMERA CABLE 133,
See COMPLETE HOPPER ASSEMBLY

CARTRIDGE FLOAT
1990..... 123,
See HYDRAULIC ASSEMBLY

CHAIN
1137..... 145,
See COMPLETE HEAD ASSEMBLY
9059..... 155,
See 8IN HAND HOSE ASSEMBLY

CHAIN LINK ASSEMBLY
9058..... 155,
See SHACKLE

CLAMP
9089..... 145,
See COMPLETE HEAD ASSEMBLY
9134..... 145,
See COMPLETE HEAD ASSEMBLY

CLAMPING U-BOLT
9084..... 157,
See HYDRANT FILL TUBE ASSEMBLY

CLEARANCE LIGHT LED
1028..... 151,
See REAR LIGHT BAR ASSEMBLY

CLEARANCE LIGHT(LED)	
1028	153,
See REAR BUMPER ASSEMBLY	
CLEVIS BOLT	
9133	
See COMPLETE HEAD ASSEMBLY	
COIL CONN FLOAT	
2011	123,
See HYDRAULIC ASSEMBLY	
COMPLETE HEAD ASSEMBLY	
80179	144
COMPLETE HOPPER ASSEMBLY	
80177	132
COMPLETE TOOLBOX ASSEMBLY	
80181	148
CONNECTING BAR HINGE PLATE	
15233	141,
See DUMP DOOR ASSEMBLY	
CONNECTOR	
9079	125,
See HYDRAULIC RESERVOIR ASSEMBLY	
9080	125,
See HYDRAULIC RESERVOIR ASSEMBLY	
9085	125,
See HYDRAULIC RESERVOIR ASSEMBLY	
CONSOLE ASSEMBLY	
80209	176
CONSOLE IN CAB PANEL MOUNTING.....	178, 179
COTTER PIN	
9037	137,
See HOPPER TOP DOOR ASSEMBLY	
COUPLING DOOR CYLINDER ROD	
15241	141,
See DUMP DOOR ASSEMBLY	
COUPLING DOOR LATCH ROD	
15240	141,
See DUMP DOOR ASSEMBLY	
COVER PLATE	
15238	141,
See DUMP DOOR ASSEMBLY	
CROSSOVER TUBE TOOLBOX	
15602	149,
See COMPLETE TOOLBOX ASSEMBLY	
CYLINDER LINK	
15261	145,
See COMPLETE HEAD ASSEMBLY	
CYLINDER PIN ROD SUPPORT PLATE	
15237	141,
See DUMP DOOR ASSEMBLY	

D

DEFLECTOR FLAP ASSEMBLY	
15408.....	145,
See COMPLETE HEAD ASSEMBLY	
DOOR LATCH CYLINDER	
15239.....	141,
See DUMP DOOR ASSEMBLY	
DRAG ARM	
15418.....	145,
See COMPLETE HEAD ASSEMBLY	
DRAG ARM BRACKET	
15107.....	117,
See MAIN FRAME ASSEMBLY	
DRAIN MOUNTING PLATE	
15232.....	141,
See DUMP DOOR ASSEMBLY	
DRIVE HUB	
41209.....	175,
See GUTTER BROOM LOWER ASSEMBLY	
DUMP CYLINDER	
9122.....	117, 170, 171,
See DUMP CYLINDER,	
See MAIN FRAME ASSEMBLY	
DUMP DOOR ASSEMBLY	
80196.....	133, 140, 141,
See COMPLETE HOPPER ASSEMBLY	
DUMP DOOR CYL MOUNT	
15202.....	133,
See COMPLETE HOPPER ASSEMBLY	
DUMP DOOR CYLINDER	
15245.....	133,
See COMPLETE HOPPER ASSEMBLY	
9112.....	164, 165,
See DUMP DOOR CYLINDER	
DUMP DOOR CYLINDER PIN ROD	
15236.....	141,
See DUMP DOOR ASSEMBLY	
DUMP DOOR HINGE	
15228.....	141,
See DUMP DOOR ASSEMBLY	
DUMP DOOR HINGE BRACKET	
15222.....	133,
See COMPLETE HOPPER ASSEMBLY	
DUMP DOOR HINGE PIN	
15224.....	133,
See COMPLETE HOPPER ASSEMBLY	
DUMP DOOR INNER VERTICAL BRACE	
15253.....	141,
See DUMP DOOR ASSEMBLY	

DUMP DOOR LATCH ROD	
15234	141,
<i>See</i> DUMP DOOR ASSEMBLY	
DUMP SAFTY CHAULK	
15110	117,
<i>See</i> MAIN FRAME ASSEMBLY	
DUST SEPARATOR DOOR	
15204	135,
<i>See</i> HOPPER ASSEMBLY KIT	
DUST SUPPRESSION SYSTEM	158

E

ELBOW	
1170	167, 169,
<i>See</i> PICKUP CYLINDER	
9065	165,
<i>See</i> DUMP DOOR CYLINDER	
9083	125,
<i>See</i> HYDRAULIC RESERVOIR ASSEMBLY	
9090	125,
<i>See</i> HYDRAULIC RESERVOIR ASSEMBLY	
ELEVATOR BOLT	
9007	131,
<i>See</i> FAN HOUSING LINER	
ENGINE ASSY	
2071	121,
<i>See</i> ENGINE SKID ASSEMBLY	
ENGINE CONTROL HARNESS	
42527	177,
<i>See</i> CONSOLE ASSEMBLY	
ENGINE PANEL	
42529	177,
<i>See</i> CONSOLE ASSEMBLY	
ENGINE SKID	
15007	121,
<i>See</i> ENGINE SKID ASSEMBLY	
80189	119, 121
ENGINE SKID ASSEMBLY	
80189	119, 120,
<i>See</i> POWER MODULE ASSEMBLY	
EXTEND SPRING MOUNT	
41230	173,
<i>See</i> GUTTER BROOM UPPER ASSEMBLY	
EXTENSION SPRING	
9073	145,
<i>See</i> COMPLETE HEAD ASSEMBLY	
9109	145,
<i>See</i> COMPLETE HEAD ASSEMBLY	
EXTENTION SPRING	

9109.....	155,
<i>See</i> 8IN HAND HOSE ASSEMBLY	
EYE BOLT	
1045.....	145,
<i>See</i> COMPLETE HEAD ASSEMBLY	

F

FAN 30" S-SERIES	
15014.....	129
FAN HOUSING	
15012.....	119, 129,
<i>See</i> FAN HOUSING ASSMEBLY,	
<i>See</i> POWER MODULE ASSEMBLY	
FAN HOUSING ASSMEBLY	
80187.....	128
FAN HOUSING LINER	
80190.....	130, 131
FAN SEAL	
9000.....	129,
<i>See</i> FAN HOUSING ASSMEBLY	
FAN SHAFT	
9108.....	121,
<i>See</i> ENGINE SKID ASSEMBLY	
FAN SHAFT PULLEY LOCK KEY	
15016.....	119,
<i>See</i> POWER MODULE ASSEMBLY	
FILTER BASE	
1411.....	125,
<i>See</i> HYDRAULIC RESERVOIR ASSEMBLY	
FILTER MOUNT	
15025.....	159,
<i>See</i> DUST SUPPRESSION SYSTEM	
FIRE HOSE 25'	
9102.....	157
FLOOR PAN HOPPER	
15216.....	135,
<i>See</i> HOPPER ASSEMBLY KIT	
FRONT FLAP	
15400.....	147,
<i>See</i> HEAD FLAP KIT ASSEMBLY	
FRONT HOPPER PAN	
15215.....	135,
<i>See</i> HOPPER ASSEMBLY KIT	
FRONT HOPPER SEPERATOR BRACE	
15243.....	133,
<i>See</i> COMPLETE HOPPER ASSEMBLY	
FRONT SPRAY BAR	
42201.....	
<i>See</i> FRONT SPRAY BAR ASSEMBLY	

FRONT SPRAY BAR	
42201	159, 161,
<i>See</i> DUST SUPPRESSION SYSTEM	
FRONT SPRAY BAR ASSEMBLY	
42201	160
FUEL FILLER BRACKET	
15015	119
, <i>See</i> POWER MODULE ASSEMBLY	

G

GAS SPRING	
9095	143,
<i>See</i> SHROUD ASSEMBLY	
GB BRUSH SET FOR 32" PLATE	
1148	175
GB CYLINDER	
1379	173
GB MOUNT (LEFT HAND)	
61201	173,
<i>See</i> GUTTER BROOM UPPER ASSEMBLY	
GB MOUNT (RIGHT HAND)	
61301	173,
<i>See</i> GUTTER BROOM UPPER ASSEMBLY	
GB PIVOT (LEFT)	
61203	173,
<i>See</i> GUTTER BROOM UPPER ASSEMBLY	
GB PIVOT (RIGHT)	
61303	173,
<i>See</i> GUTTER BROOM UPPER ASSEMBLY	
GB SPRAY BAR RH	
42203	
<i>See</i> DUST SUPPRESSION SYSTEM	
GB SPRAY RH BAR	
42203	159
GREEN SWITCH COVER	
1968	177,
<i>See</i> CONSOLE ASSEMBLY	
GROMMET2-1/2"	
1131	151, 153
GROMMET	
1912	153,
<i>See</i> REAR BUMPER ASSEMBLY	
GUARD	
15008	121,
<i>See</i> ENGINE SKID ASSEMBLY	
GUTTER BROOM SPRAY BAR	
42203	162
GUTTER BROOM UPPER ASSEMBLY	172, 173

H

HAND HOSE ASSEMBLY	
80182.....	154, 155
HAND HOSE BOOM ARM REST	
15708.....	155,
<i>See</i> 8IN HAND HOSE ASSEMBLY	
HAND HOSE BRIDGE PLATE	
15707.....	155,
<i>See</i> 8IN HAND HOSE ASSEMBLY	
HAND HOSE COVER DOOR	
15702.....	155,
<i>See</i> 8IN HAND HOSE ASSEMBLY	
HAND HOSE DEFLECTOR	
15710.....	141,
<i>See</i> DUMP DOOR ASSEMBLY	
HAND HOSE LATCH HANDLE	
15703.....	155,
<i>See</i> 8IN HAND HOSE ASSEMBLY	
HAND HOSE MOUNTING BRACKET	
15700.....	155,
<i>See</i> 8IN HAND HOSE ASSEMBLY	
HAND HOSE PIVOT BRACKET	
15705.....	155,
<i>See</i> 8IN HAND HOSE ASSEMBLY	
HAND HOSE REAR DOOR	
15710.....	155,
<i>See</i> 8IN HAND HOSE ASSEMBLY	
HAND HOSE RUBBER HANGER	
15711.....	155,
<i>See</i> 8IN HAND HOSE ASSEMBLY	
HAND HOSE RUBBER SEAL	
9072.....	155,
<i>See</i> 8IN HAND HOSE ASSEMBLY	
HAND HOSE SECTION	
9113.....	155,
<i>See</i> 8IN HAND HOSE ASSEMBLY	
HAND HOSE SPRING BOOM ARM	
15714.....	155,
<i>See</i> 8IN HAND HOSE ASSEMBLY	
HAND HOSE TRANSITON DOOR	
15701.....	155,
<i>See</i> 8IN HAND HOSE ASSEMBLY	
HAND HOSE UPPER HINGE PLATE	
15704.....	155,
<i>See</i> 8IN HAND HOSE ASSEMBLY	
HAND HOSE WAND TIP	
15715.....	155,
<i>See</i> 8IN HAND HOSE ASSEMBLY	
HAND HOSE WAND TUBE	

15706	155,	15220.....	133,
<i>See</i> 8IN HAND HOSE ASSEMBLY		<i>See</i> COMPLETE HOPPER ASSEMBLY	
HAYES DRIVER		HOPPER INSPECTION DOOR	
2072	121,	15226.....	139,
<i>See</i> ENGINE SKID ASSEMBLY		<i>See</i> HOPPER INSPECTION DOOR ASSEMBLY	
HEAD CHANNEL		HOPPER INSPECTION DOOR ASSEMBLY	
15404	145,	80194.....	133, 138, 139,
<i>See</i> COMPLETE HEAD ASSEMBLY		<i>See</i> COMPLETE HOPPER ASSEMBLY	
HEAD FLAP KIT		HOPPER INTAKE TUBE	
80211	145,	15205.....	133,
<i>See</i> COMPLETE HEAD ASSEMBLY		<i>See</i> COMPLETE HOPPER ASSEMBLY	
HEAD FLAP KIT ASSEMBLY		HOPPER TOP DOOR ASSEMBLY	
80211	146	80195.....	133, 136, 137,
HEAD FLAP KIT ASSYEMBLY		<i>See</i> COMPLETE HOPPER ASSEMBLY	
80211	147	HOSE BRACKET	
HEAD INTAKE EXTENSION		15709.....	155,
15406	145,	<i>See</i> 8IN HAND HOSE ASSEMBLY	
<i>See</i> COMPLETE HEAD ASSEMBLY		HOSE CLAMP	
HEAD MOUNTING BRACKET		9076.....	
15412	145,	<i>See</i> HYDRANT FILL TUBE ASSEMBLY	
<i>See</i> COMPLETE HEAD ASSEMBLY		9117.....	
HEAD SPRING HANGER		<i>See</i> 8IN HAND HOSE ASSEMBLY	
15106	117,	HOSE CLAMP(NOT SHOWN)	
<i>See</i> MAIN FRAME ASSEMBLY		9076.....	157
HEAD WASHER ENGINE SKID		HOSE RACK HOPPER DRAIN	
15009	121,	15256.....	141,
<i>See</i> ENGINE SKID ASSEMBLY		<i>See</i> DUMP DOOR ASSEMBLY	
HINGE BOLT ASSY		HYD FLUID LEVEL SENSOR	
15109	117,	9074.....	125,
<i>See</i> MAIN FRAME ASSEMBLY		<i>See</i> HYDRAULIC RESERVOIR ASSEMBLY	
HINGE DUMP DOOR		HYD PUMP	
15227	137,	2074.....	121,
<i>See</i> HOPPER TOP DOOR ASSEMBLY		<i>See</i> ENGINE SKID ASSEMBLY	
HINGE SUPPORT CHANNEL TOP DOOR		HYD RESERVOIR	
15246	133	15002.....	125,
HOLE PLUGS		<i>See</i> HYDRAULIC RESERVOIR ASSEMBLY	
1689	177,	HYD TANK BREATHER KIT	
<i>See</i> CONSOLE ASSEMBLY		9098.....	125,
HOPPER ACCESS COVER PLATE		<i>See</i> HYDRAULIC RESERVOIR ASSEMBLY	
15244	133,	HYDRANT FILL TUBE ASSEMBLY	
<i>See</i> COMPLETE HOPPER ASSEMBLY		80186.....	119, 156, 157,
HOPPER ASSEMBLY KIT		<i>See</i> POWER MODULE ASSEMBLY	
80193	134	HYDRANT FILL TUBE PIPE	
HOPPER ASSY		15005.....	157,
80193	133,	<i>See</i> HYDRANT FILL TUBE ASSEMBLY	
<i>See</i> COMPLETE HOPPER ASSEMBLY,		HYDRAULIC ASSEMBLY	
<i>See</i> HOPPER ASSEMBLY KIT		80209.....	122, 123,
HOPPER DUMP DOOR PANEL		<i>See</i> ENGINE SKID ASSEMBLY	
15252	141,	HYDRAULIC RESERVOIR ASSEMBLY	
<i>See</i> DUMP DOOR ASSEMBLY		80183.....	119, 124, 125
HOPPER FRAME			

I

INSPECTION COVER HYD TANK	
15003	125,
See HYDRAULIC RESERVOIR ASSEMBLY	
INSPECTION DOOR SEAL	
9072	139,
See HOPPER INSPECTION DOOR ASSEMBLY	
INTAKE TRANSITION TUBE ASSEMBLY	
15108	117,
See MAIN FRAME ASSEMBLY	
INTAKE TUBE HD12"	
9135	145
INTAKE TUBE12"	
9128	145

L

LATCH CYLINDER	
9110	168, 169
LATCH CYLINDER MOUNTING BRACKET	
15231	141,
See DUMP DOOR ASSEMBLY	
LED BACK-UP	
1911	153,
See REAR BUMPER ASSEMBLY	
LED LICENSE	
1908	153,
See	
LED TURN AMBER	
1910	153,
See REAR BUMPER ASSEMBLY	
LEFT SIDE HEAD CYL KIT	
15413	145,
See COMPLETE HEAD ASSEMBLY	
LH DUMP GUSSET	
15217	135,
See HOPPER ASSEMBLY KIT	
LH FRONT MOUNT TOOLBOX	
15604	149,
See COMPLETE TOOLBOX ASSEMBLY	
LH LATCH CAM	
15229	141,
See DUMP DOOR ASSEMBLY	
LH LOWER HOPPER SIDE	
15213	135,
See HOPPER ASSEMBLY KIT	
LH SEPARATOR WRAP	
15209	135,

See HOPPER ASSEMBLY KIT	
LH TOOLBOX ASSEMBLY	
80202.....	149,
See COMPLETE TOOLBOX ASSEMBLY	
LH UPPER HOPPER SIDE	
15211.....	135,
See HOPPER ASSEMBLY KIT	
LICENSE PLATE SCREW RECEPTACLE	
9029.....	153,
See REAR BUMPER ASSEMBLY	
LIFTING ROD TOP DOOR	
15255.....	137,
See HOPPER TOP DOOR ASSEMBLY	
LIGHT BAR	
15242.....	151,
See REAR LIGHT BAR ASSEMBLY	
LINEAR ACTUATOR	
1078.....	175,
See GUTTER BROOM LOWER ASSEMBLY	
LINER KIT FAN HOUSING	
80190.....	129,
See FAN HOUSING ASSMEBLY	
LINK	
41221.....	173,
See GUTTER BROOM UPPER ASSEMBLY	
LINKAGE MOUNT (LEFT)	
41203.....	173,
See GUTTER BROOM UPPER ASSEMBLY	
LINKAGE MOUNT (RIGHT)	
41305.....	173,
See GUTTER BROOM UPPER ASSEMBLY	
LOVEJOY COUPLING	
2073.....	121,
See ENGINE SKID ASSEMBLY	
LOWER BASIN SEPAEATOR	
15207.....	135,
See HOPPER ASSEMBLY KIT,	
See HOPPER ASSEMBLY KIT	
LOWER DOOR FRAME	
15305.....	143,
See SHROUD ASSEMBLY,	
See SHROUD ASSEMBLY	
LOWER SHROUD DOOR LH	
80199.....	143,
See SHROUD ASSEMBLY	
LOWER SHROUD DOOR RH	
80201.....	143,
See SHROUD ASSEMBLY	
LOWER SHROUD DOOR SKIN RH	
15304.....	143,
See SHROUD ASSEMBLY	

15307143,
See SHROUD ASSEMBLY

M

MAIN FRAME

15101117,
See MAIN FRAME ASSEMBLY

MAIN FRAME ASSEMBLY

80176116, 117

MIDDLE FLAP

15401147,
See HEAD FLAP KIT ASSEMBLY

MIDDLE TIE DOWN

15104117,
See MAIN FRAME ASSEMBLY

MOM SWITCH

1686177,
See CONSOLE ASSEMBLY

MOTOR

3230123, 175,
See GUTTER BROOM LOWER ASSEMBLY, See

MOTOR MOUNT (LEFT HAND)

41207175,
See GUTTER BROOM LOWER ASSEMBLY

MOTOR MOUNT (RIGHT HAND)

41318175,
See GUTTER BROOM LOWER ASSEMBLY

MOUNTING PLATE

15000119,
See POWER MODULE ASSEMBLY

N

NIPPLE

1223161,
See FRONT SPRAY BAR ASSEMBLY

NUT

1501179
1505173, 175, 179
1506173, 175
1507173
1508173
1640173
1642173
9005131
9119173

O

OFFSET POST

42510179,
See CONSOLE IN CAB PANEL MOUNTING

OVAL AMBER STROBE LIGHT 6-1\2

9115151,
See REAR LIGHT BAR ASSEMBLY

OVAL LIGHT GROMMET

9052151,
See REAR LIGHT BAR ASSEMBLY

P

PANEL

12510
See CONSOLE ASSEMBLY

PIANO HINGE SS

15308143,
See SHROUD ASSEMBLY

PICKUP CYLINDER

9120167

PICKUP CYLINDER

9120166,
See PICKUP CYLINDER

PICKUP CYLINDER

9120
See PICKUP CYLINDER

PIN

41211173,
See GUTTER BROOM UPPER ASSEMBLY
61213173,
See GUTTER BROOM UPPER ASSEMBLY

PLASTIC HANDLE

9116155,
See 8IN HAND HOSE ASSEMBLY

PLATE

2221123,
See HYDRAULIC ASSEMBLY

PORT COVER

15011129,
See FAN HOUSING ASSMEBLY

POWER MODULE

15001119,
See POWER MODULE ASSEMBLY

POWER MODULE ASSEMBLY

80175118, 119

PROX MOUNT LATCH

15805141,

See DUMP DOOR ASSEMBLY

PULLEY

9086121,
See ENGINE SKID ASSEMBLY

9087121,
See ENGINE SKID ASSEMBLY

PUMP MOUNT

15060159,
See DUST SUPPRESSION SYSTEM

15801121,
See ENGINE SKID ASSEMBLY

Q

QUICK LINK

1042173

R

REAR BUMPER

15500153,
See REAR BUMPER ASSEMBLY

REAR BUMPER ASSEMBLY

80180152

REAR BUMPER MOUNTING BRACKET

15102117,
See MAIN FRAME ASSEMBLY

REAR FLAP

15402147,
See HEAD FLAP KIT ASSEMBLY

REAR LIGHT BAR ASSEMBLY

80197133, 150, 151,
See COMPLETE HOPPER ASSEMBLY

REAR MOUNTING TUBE TOOLBOX

15603149,
See COMPLETE TOOLBOX ASSEMBLY

REAR SEPERATOR COVER

15206133,
See COMPLETE HOPPER ASSEMBLY

REAR TANK END HOPPER

15247135,
See HOPPER ASSEMBLY KIT

RECTANGLE SEAL

9114141,
See DUMP DOOR ASSEMBLY

RED SWITCH COVERS

1969177,
See CONSOLE ASSEMBLY

RELAYS

1947.....177,
See CONSOLE ASSEMBLY

RESTRICTORS

2030.....123,
See HYDRAULIC ASSEMBLY

RETAINER PLATE LATCH ROD

15235.....141,
See DUMP DOOR ASSEMBLY

RETRACT PLATE (LEFT)

61235.....173,
See GUTTER BROOM UPPER ASSEMBLY

RETRACT PLATE (RIGHT)

61335.....173,
See GUTTER BROOM UPPER ASSEMBLY

RETRACT SPRING

1019.....173,
See GUTTER BROOM UPPER ASSEMBLY

RETURN FILTER HYD RESERVOIR

9025.....125,
See HYDRAULIC RESERVOIR ASSEMBLY

RH CAM LATCH

15230.....141,
See DUMP DOOR ASSEMBLY

RH DUMP GUSSET

15218.....135,
See HOPPER ASSEMBLY KIT

RH FRONT MOUNT TOOLBOX

15605.....149,
See COMPLETE TOOLBOX ASSEMBLY

RH LOWER.HOPPER SIDE

15214.....135,
See HOPPER ASSEMBLY KIT

RH SEPARATOR WRAP

15208.....135,
See HOPPER ASSEMBLY KIT

RH TOOLBOX ASSEMBLY

80204.....149,
See COMPLETE TOOLBOX ASSEMBLY

RH UPPER HOPPER SIDE

15212.....135,
See HOPPER ASSEMBLY KIT

RIGHT SIDE HEAD CYL KIT

15414.....145,
See COMPLETE HEAD ASSEMBLY

ROUND RED TAIL LIGHT

9162.....153,
See REAR BUMPER ASSEMBLY

RUBBER BUMPER

9019.....145,
See COMPLETE HEAD ASSEMBLY

9067.....133,

See COMPLETE HOPPER ASSEMBLY

RUBBER EDGE TRIM
 9066117,
 See MAIN FRAME ASSEMBLY

RUBBER HINGE SEPARATOR DOOR
 15201133,
 See COMPLETE HOPPER ASSEMBLY

RUBBER LINER
 15019131,
 See FAN HOUSING LINER

S

SCREEN FRAME
 15221133,
 See COMPLETE HOPPER ASSEMBLY

SCREW
 9003125,
 See HYDRAULIC RESERVOIR ASSEMBLY

SCROLL HOPPER SEPARATOR
 15248135,
 See HOPPER ASSEMBLY KIT
 See COMPLETE HEAD ASSEMBLY

SEPARATOR DOOR
 15204133,
 See COMPLETE HOPPER ASSEMBLY

SHACKLE
 9082155,
 See SHACKLE

S-HOOK
 9118155,
 See 8IN HAND HOSE ASSEMBLY

SHROUD FRAME
 15300143,
 See SHROUD ASSEMBLY

SHROUD ASSEMBLY
 80178142

SHROUD LATCH SS
 9081139, 143,
 See SHROUD ASSEMBLY,
 See HOPPER INSPECTION DOOR ASSEMBLY

SIGHT GAUGE
 9023125,
 \See HYDRAULIC RESERVOIR ASSEMBLY

SKID PLATE HEAD
 15405145,
 See COMPLETE HEAD ASSEMBLY

SLIDE BAR ENGINE SKID
 15006121,
 See ENGINE SKID ASSEMBLY

SOM SWITCH
 1685..... 177,
 See CONSOLE ASSEMBLY

SOS SWITCH
 1684..... 177,
 See CONSOLE ASSEMBLY

SPRAY BAR
 42203..... 163,
 See GUTTER BROOM SPRAY BAR

SPRAY NOZZLE
 1164..... 161, 163,
 See GUTTER BROOM SPRAY BAR,
 See FRONT SPRAY BAR ASSEMBLY

SPRING BELL CRANK
 41215..... 173,
 See GUTTER BROOM UPPER ASSEMBLY

STEEL NIPPLE
 9103..... 157

STRANER
 1393..... 141

STRAP
 9119..... 155,
 See 8IN HAND HOSE ASSEMBLY

STRIKER LATCH REAR DOOR
 15223..... 133,
 See COMPLETE HOPPER ASSEMBLY

SUCTION STRAINER
 9020..... 125,
 See HYDRAULIC RESERVOIR ASSEMBLY

SUPPORT POST
 42502..... 179,
 See CONSOLE IN CAB PANEL MOUNTING

SUSPENSION SPRING
 1018..... 173,
 See GUTTER BROOM UPPER ASSEMBLY

SWITCH BOX
 62505..... 177

SWITCH BOX HARNESS 183
 62511..... 177,
 See CONSOLE ASSEMBLY

SWITCH BOX MOUNT PANEL
 62506..... 177,
 See CONSOLE ASSEMBLY

SWITCH PANEL
 12510..... 177

SWITCH PANEL DECAL
 12511..... 177,
 See CONSOLE ASSEMBLY

T

TAIL WASHER ENGINE SKID	
15010	121,
See ENGINE SKID ASSEMBLY	
TANK FLANGE	
9021	125,
See HYDRAULIC RESERVOIR ASSEMBLY	
9022	125,
See HYDRAULIC RESERVOIR ASSEMBLY	
TEMPERATURE SWITCH	
9075	125,
See HYDRAULIC RESERVOIR ASSEMBLY	
THREADED NIPPLE	
1392	141
THROTTLE ACTUATOR	
15021	121,
See ENGINE SKID ASSEMBLY	
TOP BEACON HARNESS	186
TOP DOOR BRACE	
1910	137,
See HOPPER TOP DOOR ASSEMBLY	
TOP DOOR CONNECTOR ARM	
15225	133,
See COMPLETE HOPPER ASSEMBLY	
TOP DOOR SEAL	
9072	137,
See HOPPER TOP DOOR ASSEMBLY	
TOP DOOR SKIN	
15250	137,
See HOPPER TOP DOOR ASSEMBLY	
TOP MARKER HARNESS.....	185
TOP MOUNT	
42503	179,
See CONSOLE IN CAB PANEL MOUNTING	
TRANSITION MOUNTING BRACKET	
15103	117,
See MAIN FRAME ASSEMBLY	
TRANSITION SEAL	
9129	117,
See MAIN FRAME ASSEMBLY	
TURN BUCKLE	
1022	173,
See GUTTER BROOM UPPER ASSEMBLY	
1023	173,
See GUTTER BROOM UPPER ASSEMBLY	

U

U-BOLT	
9070.....	161,
See GUTTER BROOM SPRAY BAR,	
See FRONT SPRAY BAR ASSEMBLY	
UPPER BRACE HOPPER SIDE	
15210.....	135,
See HOPPER ASSEMBLY KIT	
UPPER DOOR FRAME	
15303.....	143,
See SHROUD ASSEMBLY,	
See SHROUD ASSEMBLY	
UPPER SEAL PLATE REAR BULKHEAD	
15249.....	135,
See HOPPER ASSEMBLY KIT	
UPPER SHROUD DOOR LH	
80198.....	143
, See SHROUD ASSEMBLY	
UPPER SHROUD DOOR RH	
20200.....	143,
See SHROUD ASSEMBLY	
UPPER SHROUD DOOR SKIN LH	
15302.....	143,
See SHROUD ASSEMBLY	
UPPER SHROUD DOOR SKIN RH	
15306.....	143,
See SHROUD ASSEMBLY	

V

VALVE	
2001.....	123,
2002.....	123,
2005.....	123,
2222.....	123,
9030.....	125,
See HYDRAULIC RESERVOIR ASSEMBLY	
VALVE D/A RELIEF	
2000.....	123,
See HYDRAULIC ASSEMBLY	
VALVE HARNESS	182
VIBRATION ISOLATOR CENTER BONDED	
9096.....	121,
See ENGINE SKID ASSEMBLY	

W**WASHER**

1520	179
1525	175
1526	173, 175
1581	173
1670	173, 175
WASHER SPRING LOCK	
9004	131
<i>See</i> FAN HOUSING LINER	
WASHERS	
1822	173, 175
WATER FILTER	
1117	127, 159,
<i>See</i> DUST SUPPRESSION SYSTEM,	
<i>See</i> WATER SYSTEM ASSEMBLY	
WATER FILTER BRACKET	
15025	127,
<i>See</i> WATER SYSTEM ASSEMBLY	
WATER FILTER SCREEN MESH	
1172	159,
<i>See</i> DUST SUPPRESSION SYSTEM	
WATER PUMP	
9035	127, 159,
<i>See</i> DUST SUPPRESSION SYSTEM, <i>See</i> WATER SYSTEM	
ASSEMBLY	
WATER PUMP	
9035	
<i>See</i> WATER SYSTEM ASSEMBLY	
WATER PUMP MOUNT	
15060	127,
<i>See</i> WATER SYSTEM ASSEMBLY	
WATER RESERVOIR 200 GAL	
15004	127,
<i>See</i> WATER SYSTEM ASSEMBLY	
WATER SYSTEM ASSEMBLY	
80183	126
WATER SYSTEM ASSEMBLY 200gal	
80184	
<i>See</i> POWER MODULE ASSEMBLY	
WATER SYSTEM ASSEMBLY 200gal	
80184	119
WATER TANK 200gal	
15004	159, <i>See</i>
DUST SUPPRESSION SYSTEM	
WELD NUT	
9027	121,
<i>See</i> ENGINE SKID ASSEMBLY	
9047	125,
<i>See</i> HYDRAULIC RESERVOIR ASSEMBLY	
WELD NUT SS	
9026	135,
<i>See</i> HOPPER ASSEMBLY KIT	

WIRE HARNESS	
12518.....	151,
<i>See</i> REAR LIGHT BAR ASSEMBLY	

PAGE

PAGE 116.....	
<i>See</i> MAIN FRAME ASSEMBLY	
15100.....	117
15101.....	117
15102.....	117
15103.....	117
15104.....	117
15106.....	117
15107.....	117
15108.....	117
15109.....	117
15110.....	117
9066.....	117
9096.....	121
9122.....	117
9129.....	117
PAGE 118.....	
<i>See</i> POWER MODULE ASSEMBLY	
15000.....	119
15001.....	119
15012.....	119
15013.....	119
15015.....	119
15016.....	119
15040.....	119
80183.....	119
80184.....	119
80186.....	119
80189.....	119
PAGE 120.....	
<i>See</i> ENGINE SKID ASSEMBLY	
15006.....	121
15007.....	121
15008.....	121
15009.....	121
15010.....	121
15021.....	121
15801.....	121
2071.....	121
9017.....	121
9027.....	121
9031.....	121
9072.....	121
9073.....	121

9074	121	80185.....	127
9086	121	80188.....	127
9087	121	9000.....	129
9094	121	9035.....	127
9108	121	9201.....	127
PAGE 122		9203.....	127
See HYDRALIC ASSEMBLY		9205.....	127
1990	123	9206.....	127
2000	123	9211.....	127
2001	123	9214.....	127
2002	123	PAGE 128.....	
2005	123	See FAN HOUSING ASSEMBLY	
2011	123	15012.....	129
2016	123	15013.....	129
2030	123	15014.....	129
2221	123	80190.....	129
2222	123	9034.....	129
3230	123	PAGE 130.....	
PAGE 124		See FAN HOUSING LINER	
See HYDRALIC RESERVOIR ASSEMBLY		15019.....	131
1411	125	9004.....	131
1416	125	9005.....	131
15002	125	9007.....	131
15003	125	PAGE 132.....	
80191	125	See REAR LIGHT ASSEMBLY	
9003	125	15200.....	133
9020	125	15201.....	133
9021	125	15202.....	133
9022	125	15203.....	133
9023	125	15204.....	133
9030	125	15205.....	133
9041	125	15206.....	133
9047	125	15220.....	133
9074	125	15221.....	133
9075	125	15222.....	133
9079	125	15223.....	133
9080	125	15224.....	133
9083	125	15225.....	133
9085	125	15243.....	133
9090	125	15244.....	133
9098	125	15245.....	133
PAGE 126		15246.....	133
See WATER SYSTEM ASSEMBLY		80193.....	133
1117	127	80194.....	133
1158	127	80195.....	133
15004	127	80196.....	133
15011	129	80197.....	133
15020	127	9067.....	133
15023	127	PAGE 134.....	
15025	127	See HOPPER TOP DOOR ASSEMBLY,	
3232	127	See HOPPER ASSEMBLY KIT	

15204	135	15256.....	141
15207	135	15710.....	141
15208	135	15805.....	141
15209	135	9114.....	141
15210	135	PAGE 142.....	
15211	135	See SHROUD ASSEMBLY	
15212	135	1120.....	143
15213	135	15300.....	143
15214	135	15302.....	143
15215	135	15303.....	143
15216	135	15304.....	143
15217	135	15305.....	143
15218	135	15306.....	143
15219	135	15307.....	143
15227	137	15308.....	143
15247	135	80198.....	143
15248	135	80199.....	143
15249	135	80200.....	143
15250	137	80201.....	143
15255	137	9081.....	143
15258	135	9095.....	143
1910	137	PAGE 144.....	
9026	135	See COMPLETE HEAD ASSEMBLY	
9072	137	1045.....	145
PAGE 136		1137.....	145
9037	137	15261.....	145
PAGE 138		15404.....	145
See HOPPER INSPECTION DOOR ASSEMBLY		15405.....	145
15226	139	15406.....	145
9072	139	15408.....	145
9081	139	15412.....	145
PAGE 140		15413.....	145
See DUMP DOOR ASSEMBLY		15414.....	145
1392	141	15418.....	145
1393	141	80211.....	145
15228	141	9019.....	145
15229	141	9073.....	145
15230	141	9089.....	145
15231	141	9109.....	145
15232	141	9128.....	145
15233	141	9133.....	145
15234	141	9134.....	145
15235	141	9135.....	145
15236	141	PAGE 146.....	
15237	141	See HEAD FLAP KIT ASSEMBLY	
15238	141	15400.....	147
15239	141	15401.....	147
15240	141	15402.....	147
15241	141	15403.....	147
15252	141	PAGE 148.....	
15253	141	See COMPLETE TOOLBOX ASSEMBLY	

15602	149	PAGE 156	
15603	149	See HYDRANT FILL TUBE ASSEMBLY	
15604	149	15005.....	157
15605	149	9076.....	157
80202	149	9084.....	157
80404	149	9102.....	157
PAGE 150		9103.....	157
See REAR LIGHT BAR ASSEMBLY		9104.....	157
1028	151	9105.....	157
1131	151	9106.....	157
12518	151	9107.....	157
15242	151	PAGE 158.....	
9052	151	See DUST SUPPRESSION SYSTEM	
9115	151	1117.....	159
PAGE 152		1172.....	159
See REAR BUMPER ASSEMBLY		15004.....	159
1028	153	15023.....	159
1131	153	15025.....	159
12517	153	42201.....	159
15500	153	42203.....	159
15701	155	9035.....	159
15702	155	PAGE 160.....	
15703	155	See FRONT SPRAY BAR ASSEMBLY	
15704	155	1162.....	161
15706	155	1164.....	161
15707	155	1204.....	161
15708	155	1223.....	161
15709	155	42201.....	161
15710	155	9070.....	161
15711	155	PAGE 162.....	
15714	155	See GUTTER BROOM SPRAY BAR	
15715	155	1162.....	163
1908	153	1164.....	163
1910	153	1204.....	163
1911	153	42203.....	163
1912	153	9070.....	163
9029	153	PAGE 164	
9052	155	See PICKUP CYLINDER,	
9059	155	PAGE 166.....	
9072	155	See DUMP DOOR CYLINDER	
9082	155	1170.....	167
9109	155	9065.....	165
9113	155	9112.....	165
9116	155	9120.....	167
9117	155	PAGE 168.....	
9118	155	See LATCH CYLINDER	
9119	155	1170.....	169
9162	153	9110.....	169
PAGE 154		PAGE 170.....	
See 8IN HAND HOSE ASSEMBLY		See DUMP CYLINDER	
15700	155	15112.....	171

9122	171	1148.....	175
Z-PAGE 172		1505.....	175
See GUTTER BROOM UPPER		1506.....	175
1018	173	1525.....	175
1019	173	1526.....	175
1020	173	1537.....	175
1022	173	1540.....	175
1023	173	1546.....	175
1185	173	1549.....	175
1379	173	1670.....	175
1505	173	1922.....	175
1506	173	3243.....	175
1507	173	41207.....	175
1508	173	41209.....	175
1526	173	41227.....	175
1537	173	41318.....	175
1540	173	PAGE 176.....	
1542	173	See CONSOLE ASSEMBLY	
1556	173	1127.....	177
1559	173	1128.....	177
1560	173	12510.....	177
1561	173	12511.....	177
1574	173	1684.....	177
1581	173	1685.....	177
1640	173	1686.....	177
1642	173	1689.....	177
1670	173	1691.....	177
1822	173	1947.....	177
41205	173	1968.....	177
41211	173	1969.....	177
41215	173	2052.....	177
41221	173	42527.....	177
41230	173	42529.....	177
41305	173	62505.....	177
61201	173	62506.....	177
61203	173	62511.....	177
61213	173	PAGE 178.....	See CONSOLE IN CAB PANEL MOUNTING
61235	173	1501.....	179
61301	173	1505.....	179
61303	173	1520.....	179
61335	173	1531.....	179
9119	173	1546.....	179
PAGE 174		42501.....	179
See GUTTER BROOM LOWER		42502.....	179
1010	175	42503.....	179
1078	175	42506.....	179
1112	175	42510.....	179
1145	175		